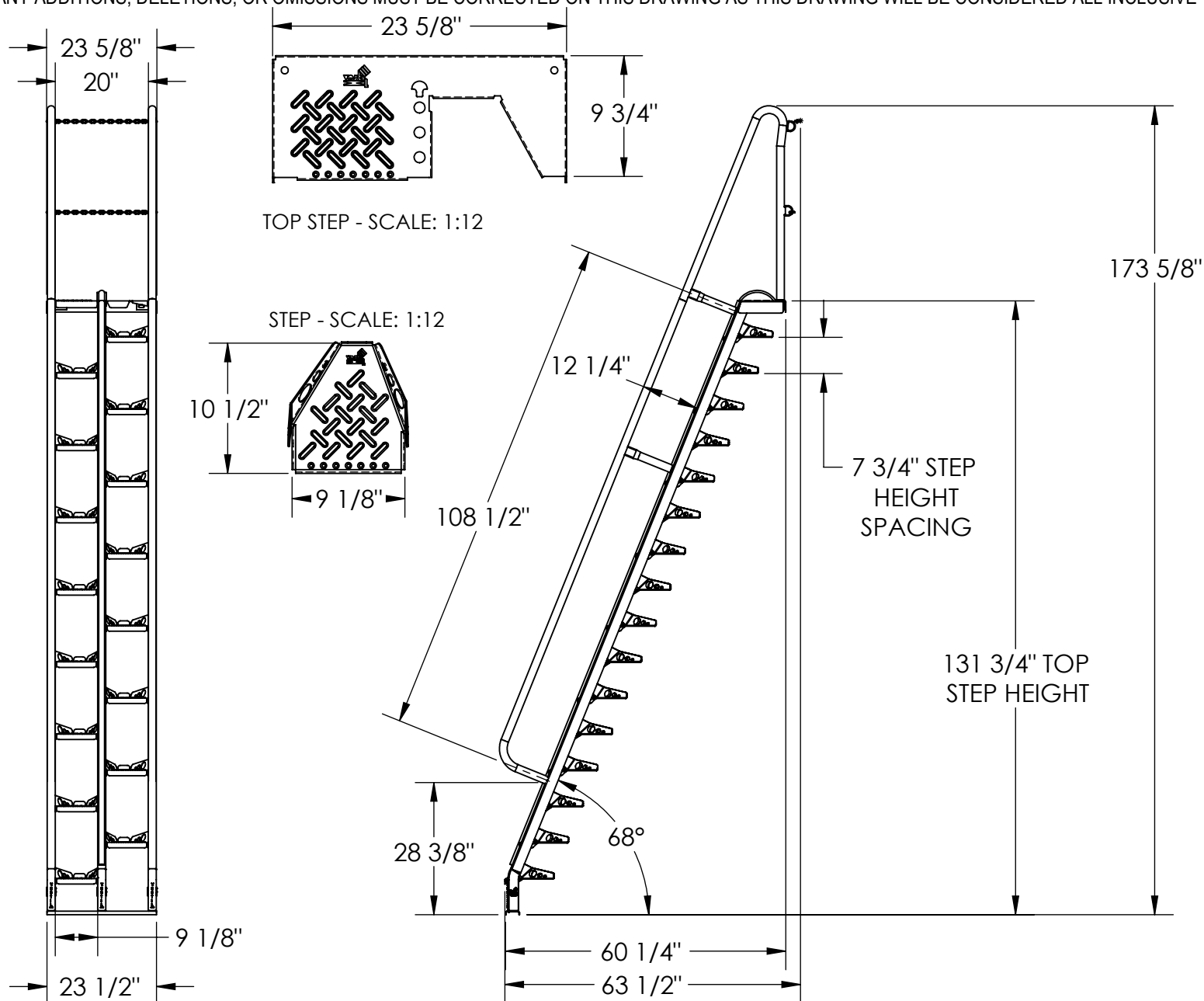


# ALTERNATING TREAD STAIR - ATS-11-68

APPROX WEIGHT: 249.15 lbs.  
DOES NOT INCLUDE WEIGHT OF POWER OR PACKAGING!!!

\*\*\*ANY ADDITIONS, DELETIONS, OR OMISSIONS MUST BE CORRECTED ON THIS DRAWING AS THIS DRAWING WILL BE CONSIDERED ALL INCLUSIVE\*\*\*



ALL GRAPHICS PROVIDED ARE FOR REFERENCE ONLY. IF CERTAIN DIMENSIONS ARE CRITICAL PLEASE VERIFY THOSE DIMENSIONS WITH YOUR SALESPERSON

## STANDARD FEATURES

- MODEL NUMBER: ATS-11-68
- CLIMB ANGLE: 68°
- NUMBER OF STEPS: 17 (INCLUDING TOP STEP)
- TOP STEP HEIGHT: 131 3/4"
- STEP HEIGHT SPACING: 7 3/4"
- HANDRAIL HEIGHT: 12 1/4"
- OVERALL HEIGHT: 173 5/8"
- OVERALL LENGTH: 63 1/2"
- OVERALL WIDTH: 23 1/2"
- CHAIN GATES AT TOP STEP
- RUBBER BUMPER STRIP
- MAX CAPACITY IS 350 LBS
- TOUGH BAKED IN POWDER COATED YELLOW FINISH

## SPECIAL FEATURES

NONE

DIMENSION TOLERANCE ± 1/4"

<b>APPROVAL</b>	I, THE UNDERSIGNED, AGREE THAT THE PRODUCT AS REPRESENTED SATISFIES DESIGN AND DIMENSION REQUIREMENTS. I ALSO ACKNOWLEDGE MY DUTY TO CONFIRM PRODUCT AND INSTALLATION COMPLIANCE WITH ALL APPLICABLE FEDERAL, STATE AND LOCAL REGULATIONS AND STANDARDS.	
	<b>ANY MODIFIED UNITS ARE NON-RETURNABLE</b>	
	[ ] As drawn      [ ] As marked	
	Signed: _____ Date: _____	
Printed Name: _____		
<i>LEAD TIME WILL START UPON RECEIPT OF SIGNED APPROVAL DRAWING</i>		

<b>FOR INTERNAL USE ONLY PROJECT SIGN OFF</b>		DISTRIBUTOR'S NAME:		P.O.#	
		<b>VESTIL MANUFACTURING</b>		X	
SALES		DRAWN BY: BCN		DATE: 4/22/2009	W.O.#
ENG.		REFERENCE: X		SCALE: 1:32	X
FAB.		QUOTED LEAD TIME: X		QUOTE #	FILE NAME:
POWER				X	44-007-358