

Red Jacket® Fixed Speed Reliability

Avoid pump downtime with one of the most reliable pumps in the industry

Three Things to Consider when Evaluating Fixed Speed Against Variable Speed

- 1 Less pressure on motor bearings provides for a longer UMP lifespan.
- 2 Optimized motor speeds reduce premature wear.
- 3 Control boxes are less susceptible to overheating versus variable-speed drives, ensuring communication to properly functioning Submersible Turbine Pumps (STPs).



▶ WITH FIELD FAILURE RATES LESS THAN 1%, FIXED SPEED RELIABILITY PROVIDES:

Increased Safety

- Designed for increased safety during servicing with an automatic electrical disconnect

Stronger Performance

- Less loads on motor bearing allows UMP to run smoother
- Lower motor speeds reduce premature wear
- Longer bearing life increases UMP performance
- Less sensitive to power fluctuations increases uptime and UMP longevity
- Minimizes Electrical Noise with other devices that can result in inaccurate error readings and flow reductions

Lower Total Cost of Ownership

- No Variable Frequency Drive failures keeps the motor up and running
- Lower operating and servicing costs with less potential for failures
- Reduced labor costs with quicker installation

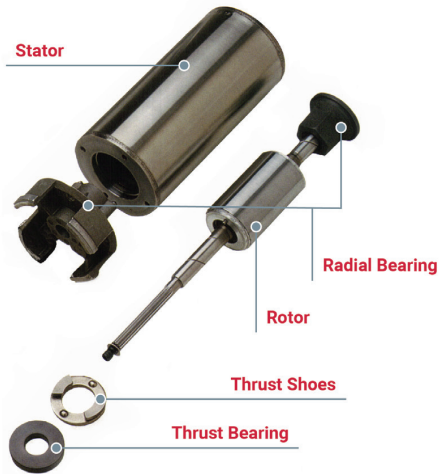
Maximized Efficiency

- Reduced power requirements with simple Control Box designs
- No need for Auxiliary Circuit units, reducing power consumption and keeping it simple



REDUCE SERVICING.
AVOID DOWNTIME AND REPLACEMENT.

Rotor and Stator



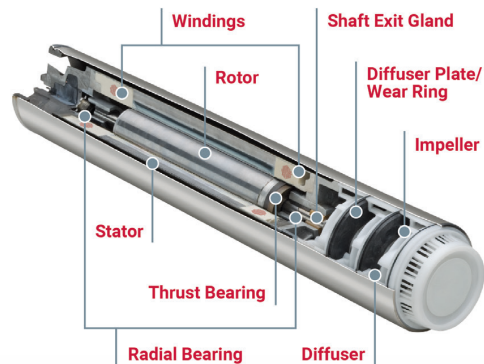
▶ ROTOR & STATOR FEATURES & BENEFITS

- **Robust Radial Bearing and Thrust Bearing Alignment System** for quieter running, less bearing wear, and truer running of motor shaft.
- **Greater Thrust Shoes surface area** allows for larger load carrying capabilities and a longer running life.
- **Stator ends & shell are made of Stainless Steel** for enhanced corrosion protection.
- **Stator electrical insulation Class B** for 5x increased life of insulation expectation.

▶ UNITIZED MOTOR & PUMP FEATURES & BENEFITS

- **Increased Air Gap between Rotor & Stator** results in greater liquid cooling, decreased motor temperature, and a longer UMP life.
- **Bronze Shaft Exit Gland** creates a more robust explosion-proof design.
- **Bearing Wear Ring** is in a permanent concentric location to absorb pump thrust loads.
- **Floating Impeller Stages** cause pump thrust loads to not be transferred to the motor, increasing motor life.

Unitized Motor and Pump (UMP)



John M. Ellsworth Co., Inc.

P.O. Box 240072
8700 West Bradley Road
Milwaukee, WI 53224

800-333-3331 **PHONE**
800-563-8848 **FAX**

info@jmesales.com **E-MAIL**
www.JMESales.com **WEB**