

TLS-450PLUS Console

Site Prep and Installation Manual

Notice

Veeder-Root makes no warranty of any kind with regard to this publication, including, but not limited to, the implied warranties of merchantability and fitness for a particular purpose.

Veeder-Root shall not be liable for errors contained herein or for incidental or consequential damages in connection with the furnishing, performance, or use of this publication.

Veeder-Root reserves the right to change system options or features, or the information contained in this publication.

This publication contains proprietary information which is protected by copyright. All rights reserved. No part of this publication may be photocopied, reproduced, or translated to another language without the prior written consent of Veeder-Root.

Contact TLS Systems Technical Support for additional troubleshooting information at 800-323-1799.

DAMAGE CLAIMS / LOST EQUIPMENT

Thoroughly examine all components and units as soon as they are received. If any cartons are damaged or missing, write a complete and detailed description of the damage or shortage on the face of the freight bill. The carrier's agent must verify the inspection and sign the description. Refuse only the damaged product, not the entire shipment.

Veeder-Root must be notified of any damages and/or shortages within 30 days of receipt of the shipment, as stated in our Terms and Conditions.

VEEDER-ROOT'S PREFERRED CARRIER

1. Contact Veeder-Root Customer Service at 800-873-3313 with the specific part numbers and quantities that were missing or received damaged.
2. Fax signed Bill of Lading (BOL) to Veeder-Root Customer Service at 800-234-5350.
3. Veeder-Root will file the claim with the carrier and replace the damaged/missing product at no charge to the customer. Customer Service will work with production facility to have the replacement product shipped as soon as possible.

CUSTOMER'S PREFERRED CARRIER

1. It is the customer's responsibility to file a claim with their carrier.
2. Customer may submit a replacement purchase order. Customer is responsible for all charges and freight associated with replacement order. Customer Service will work with production facility to have the replacement product shipped as soon as possible.
3. If "lost" equipment is delivered at a later date and is not needed, Veeder-Root will allow a Return to Stock without a restocking fee.
4. Veeder-Root will NOT be responsible for any compensation when a customer chooses their own carrier.

RETURN SHIPPING

For the parts return procedure, please follow the appropriate instructions in the "General Returned Goods Policy" pages in the "Policies and Literature" section of the Veeder-Root **North American Environmental Products** price list. Veeder-Root will not accept any return product without a Return Goods Authorization (RGA) number clearly printed on the outside of the package.

Introduction	
Contractor Certification Requirements	1
Related Documents	2
Documents Required to Install Equipment	2
Safety Precautions	2
National Electrical Code Compliance	3
Probe- and Sensor-to-Console Wiring	3
Power Wiring	3
Sensor and Probe Junction Boxes	3
Permissible Console Input/Output Connections	4
Planning Probe and Sensor Installations	6
Console Installation	
Locating the Console	8
Mounting the Console	8
Wiring Conduit Safety Issues	10
Determining Tank Tilt	11
Determining Mag Probe Riser Size	
Probe Riser Pipe Installation	12
Determining Mag Probe Length	
Determining Mag Probe Length for Installation in a Dedicated Riser	13
Determining Mag Probe Length for Installation in a Vapor Extractor Riser	14
Special Mag Probe Installation Kits	
AST Installation Kit	15
Vapor Extraction Riser Kit w/ Coupling Adaptor	16
Vapor Extraction Riser Kit w/o Coupling Adaptor	17
Riser Cap Kit for Mag Probe Installations	18
Cap and Cord Grip Kit	18
Metal Cap and Ring Kit	18
Mag Probe Installation	
UST/AST Tank - Dedicated Riser	20
UST Riser Cap Attachment	20
AST Riser Cap Attachment	22
UST Installation - Vapor Extractor Riser w/ Coupling Adaptor	22
UST Installation - Vapor Extractor Riser w/o Coupling Adaptor	24
Sensor Installation	
Sensor Installation Diagrams	26
Probe and Sensor Conduit Installation	
Wiring Run Methods	35
Buried Rigid Conduit	35
Direct Burial Cable	36

Probe and Sensor Field Wiring	
Sealing Field Connections	38
Wiring Run Through Rigid Conduit.....	38
Direct Burial Cable.....	38
Probe and Sensor Wiring Precautions	39
Connecting Wiring to Console Modules	39
Connecting Power to the Console	45
Initial Startup Procedure	
For sites without Wireless 2 devices.....	47
For sites with Wireless 2 devices.....	47
Appendix A: Universal Sensor Mounting Kit	
Introduction	A-1
Product Description	A-1
Kit Contents.....	A-1
Mounting Sensors	A-1

Figures

Figure 1.	TLS-450PLUS Console - Plug-in Module Compartments	4
Figure 2.	TLS-450PLUS Console - Selectable Comm Modules	5
Figure 3.	TLS-450PLUS Console - Fixed Comm Modules	5
Figure 4.	TLS-450PLUS System Typical Site/Forecourt Layout	7
Figure 5.	TLS-450PLUS Console Dimensions And Designated Conduit Knockouts	9
Figure 6.	Determining The Minimum Mag Probe Length	13
Figure 7.	Determining Mag Probe Length For Installation In A Vapor Extractor Riser	14
Figure 8.	Mag Probe AST Installation Kit	15
Figure 9.	Mag Probe Vapor Extractor W/coupling Adaptor Installation Kit	16
Figure 10.	Mag Probe Vapor Extractor W/o Coupling Adaptor Installation Kit	17
Figure 11.	Cap And Cord Grip Kit	18
Figure 12.	Metal Cap And Ring Kit	19
Figure 13.	Modifying An Existing Metal Riser Cap	19
Figure 14.	UST Probe Installation - Dedicated Riser	20
Figure 15.	AST Probe Installation - Dedicated Riser	21
Figure 16.	Installing A Riser Adaptor Beneath The Metal Cap And Adapter Ring	21
Figure 17.	Vapor Extractor Cabling Entry	22
Figure 18.	Mag Probe Vapor Extractor Riser Installation - W/Coupling Adaptor	24
Figure 19.	Mag Probe Vapor Extractor Riser Installation - W/O Coupling Adaptor	25
Figure 20.	Example Interstitial Sensor Installation - Fiberglass UST	26
Figure 21.	Example Position-Sensitive Interstitial Sensor Installation - Steel UST	27
Figure 22.	Example Interstitial MicroSensor Installation - Steel UST	27
Figure 23.	Example MicroSensor Installation in Riser Containment - Steel UST	28
Figure 24.	Example Hydrostatic Reservoir Single Float Sensor Installation	28
Figure 25.	Example Hydrostatic Reservoir Dual Float Sensor Installation	29
Figure 26.	Example Containment Sump Sensor Installation	29
Figure 27.	Example Dispenser Pan Sensor Installation	30
Figure 28.	Example Dispenser Pan Sensor Installation In A Containment Sump	30
Figure 29.	Example Sump Sensor Installations In Sump	31
Figure 30.	Example Position-Sensitive Sensor Installation	32
Figure 31.	Example Vapor Sensor Installation	32
Figure 32.	Example Groundwater Sensor Installation	33
Figure 33.	Example Mag Sensor Installation	33

Figure 34.	CSTP Liquid Sensor Wiring Installation	34
Figure 35.	Example Probe Wiring Run In Buried Rigid Conduit	35
Figure 36.	Example Probe Wiring Run Via Direct Burial Cable	36
Figure 37.	Field Wiring Probes And Sensors Cables To Console Cables	37
Figure 38.	Epoxy Sealing Probe And Sensor Field Connections	38
Figure 39.	Front Doors	40
Figure 40.	Connecting 2 And 3 Wire Intrinsically-safe Devices To USM Module	41
Figure 41.	I/O Relay Module Connections	42
Figure 42.	Connecting devices to the MDIM module	43
Figure 43.	Connecting devices To The LVDIM Module	44
Figure 44.	Wiring AC Power To The TLS-450PLUS Console	46
Figure A-1.	Universal Mounting Kit Contents	A-1
Figure A-2.	Mounting The Sensor In A Stabilizer Tube To A Support Bar	A-2
Figure A-3.	Mounting The Sensor In The Dispenser Pan	A-2
Figure A-4.	Mounting The Sensor Using Two Extension Brackets	A-3
Figure A-5.	Mounting The Sensor To Rigid Conduit	A-4
Figure A-6.	Mounting The Sensor To A Supply Line	A-5
Figure A-7.	Mounting The Sensor In A Containment Sump	A-6

Tables

Table 1.	Selectable Comm Module Permissible Slots And Port Availability	5
Table 2.	Tank Tilt Calculation Worksheet	11
Table 3.	Dimensions For Steel Riser Pipes And Mag Probe Floats	12
Table 4.	Mag Probe AST installation kit - Part No. 312020-984	15
Table 5.	Vapor Extraction Riser Kit (W/ Coupling Adaptor) - Part No. 846500-001	16
Table 6.	Vapor Extraction Riser Kit (W/O Coupling Adaptor) - Part No. 846500-002	17
Table 7.	Cap And Cord Grip Kit - Part No. 330020-282	18
Table 8.	Metal Cap And Ring Kit - Part No. 312020-952	19

Introduction

This manual assumes that you are installing the console in a new site (before pavement is put down and with no wiring runs in place). Among the topics covered are:

- Site layout considerations.
- Installing the console.
- Probe installation procedures.
- Sensor installation procedures.
- Installing wiring conduit between the console and the probes and sensors.
- Probe and sensor field junction box wiring diagrams.
- Device-to-console wiring connection examples.
- Connecting ac power to console and initial startup procedure

Contractor Certification Requirements

Veeder-Root requires the following minimum training certifications for contractors who will install and setup the equipment discussed in this manual:

Installer Certification (Level 1): Contractors holding valid Installer Certification are approved to perform wiring and conduit routing; equipment mounting; probe, sensor and carbon canister vapor polisher installation; wireless equipment installation; tank and line preparation; and line leak detector installation.

Technician Certification (Level 2/3): Contractors holding valid Technician Certifications are approved to perform installation checkout, startup, programming and operations training, system tests, troubleshooting and servicing for all Veeder-Root Series Tank Monitoring Systems, including Line Leak Detection. In addition, Contractors with the following sub-certification designations are approved to perform installation checkout, startup, programming, system tests, troubleshooting, service techniques and operations training on the designated system.

- Wireless 2
- Tall Tank

Warranty Registrations may only be submitted by selected Distributors.

Related Documents










DOCUMENTS REQUIRED TO INSTALL EQUIPMENT

This equipment must be installed according to the applicable installation document:

Equipment	ATEX Descriptive System	IECEX Descriptive System	UL/cUL Control Drawing
	Document No.	Document No.	Document No.
Associated Apparatus			
TLS-450PLUS	331940-006	331940-106	331940-008
Intrinsically Safe Apparatus for Wireless Applications			
Tank Gauge Accessories	331940-005	331940-105	331940-012

Safety Precautions

The following safety symbols may be used throughout this manual to alert you to important safety hazards and precautions.

 <p>EXPLOSIVE Fuels and their vapors are extremely explosive if ignited.</p>	 <p>FLAMMABLE Fuels and their vapors are extremely flammable.</p>
 <p>ELECTRICITY High voltage exists in, and is supplied to, the device. A potential shock hazard exists.</p>	 <p>TURN ELECTRICAL POWER OFF Live power to a device creates a potential shock hazard. Turn Off electrical power to the device and associated accessories when servicing the unit.</p>
 <p>WARNING Heed the adjacent instructions to avoid damage to equipment, property, environment or personal injury.</p>	 <p>WEAR EYE PROTECTION Wear eye protection when working with pressurized fuel lines or epoxy sealant to avoid possible eye injury.</p>
 <p>GLOVES Wear gloves to protect hands from irritation or injury.</p>	 <p>INJURY Careless or improper handling of materials can result in bodily injury.</p>
 <p>READ ALL RELATED MANUALS Knowledge of all related procedures before you begin work is important. Read and understand all manuals thoroughly. If you do not understand a procedure, ask someone who does.</p>	

National Electrical Code Compliance

The following information is for general reference and is not intended to replace recommended National Electric Code (NEC) procedures. It is important for the installer to understand that electrical equipment and wiring located in Class I, Division 1 and 2 installations shall comply with the latest appropriate Articles found in the National Electric Code (NFPA 70) and the Code for Motor Fuel Dispensing Facilities and Repair Garages, (NFPA 30A).

PROBE- AND SENSOR-TO-CONSOLE WIRING

Wire Type

To ensure the best operating systems available, Veeder-Root **REQUIRES** the use of shielded cable for all probes and sensors regardless of conduit material or application. In these installations, shielded cable must be rated less than 100 picofarad per foot and be manufactured with a material suitable for the environment, such as Carol™ C2534 or Belden™ 88760, 8760, 8770 or similar.

Note: Throughout this manual, when mentioning any cable or wire being used for probe and sensor to console wiring, it will be referring to shielded cable.

Wire Length

Improper system operation could result in undetected potential environmental and health hazards if the probe- or sensor-to-console wire runs exceed 1000 feet. Wire runs must be less than 1000 feet to meet intrinsic safety requirements.

Splices

Veeder-Root recommends that no splices be made in the wire run between a sensor or probe junction box and the console. Each splice degrades signal strength and could result in poor system performance.

Wire Gauges - Color coded

- Shielded cable must be used in all installations. Probe- and Sensor-to-console wires should be #14-#18 AWG stranded copper wire and installed as a Class 2 circuit. As an alternate method when approved by the local authority having jurisdiction, 22 AWG wire such as Belden 88761 may be suitable in installations with the following provisions:
 - Wire run is less than 750 feet
 - Capacitance does not exceed 100 pF/foot
 - Inductance does not exceed 0.2 μ H/foot

POWER WIRING

Wires carrying 120 or 240 Vac from the power panel to the console should be #14 AWG (or larger) copper wire for line, neutral and chassis ground (3); and #12 AWG copper wire for barrier ground.

SENSOR AND PROBE JUNCTION BOXES

Weatherproof electrical junction boxes with a gasketed cover are required on the end of each probe and sensor conduit run at the manhole or monitoring well location. Gasketing or sealing compound must be used at each entry to the junction box to ensure a waterproof junction. The interior volume of each junction box must be a minimum of 16 cubic inches.

Veeder-Root recommends the following junction boxes or equivalent:

- Appleton Electric Co. - JBDX junction box, JBK-B cover, and JB-GK-V gasket.
- Crouse-Hinds Co. - GRFX-139 junction box, GRF-10 cover, and GASK-643 gasket.

Permissible Console Input/Output Connections

Figures 1 - 3 illustrate the console's plug-in module locations and the maximum number allowed in each of the two bays of the console: Comm Bay and Module Bay. Input/output cables to the console's Comm modules attach to connectors on each module's end plate, and are accessible through an opening in the base of the console.

The Comm Bay is divided into 5 communication slots numbered from 1 to 5 going from left to right (see Figure 1). Only slots 1-3 are available for user-selectable Comm modules (Figure 2). Slots 4 and 5 are fixed and can not be changed (see Figure 3).



Important, to avoid attaching a Comm cable to a non-configurable (NC) port, identify the configurable (C) ports of any Comm module being installed by referring to Table 1. Also verify the Comm cable port connections to Comm modules in slots 4 and 5. Record all Comm port connections for use at setup.

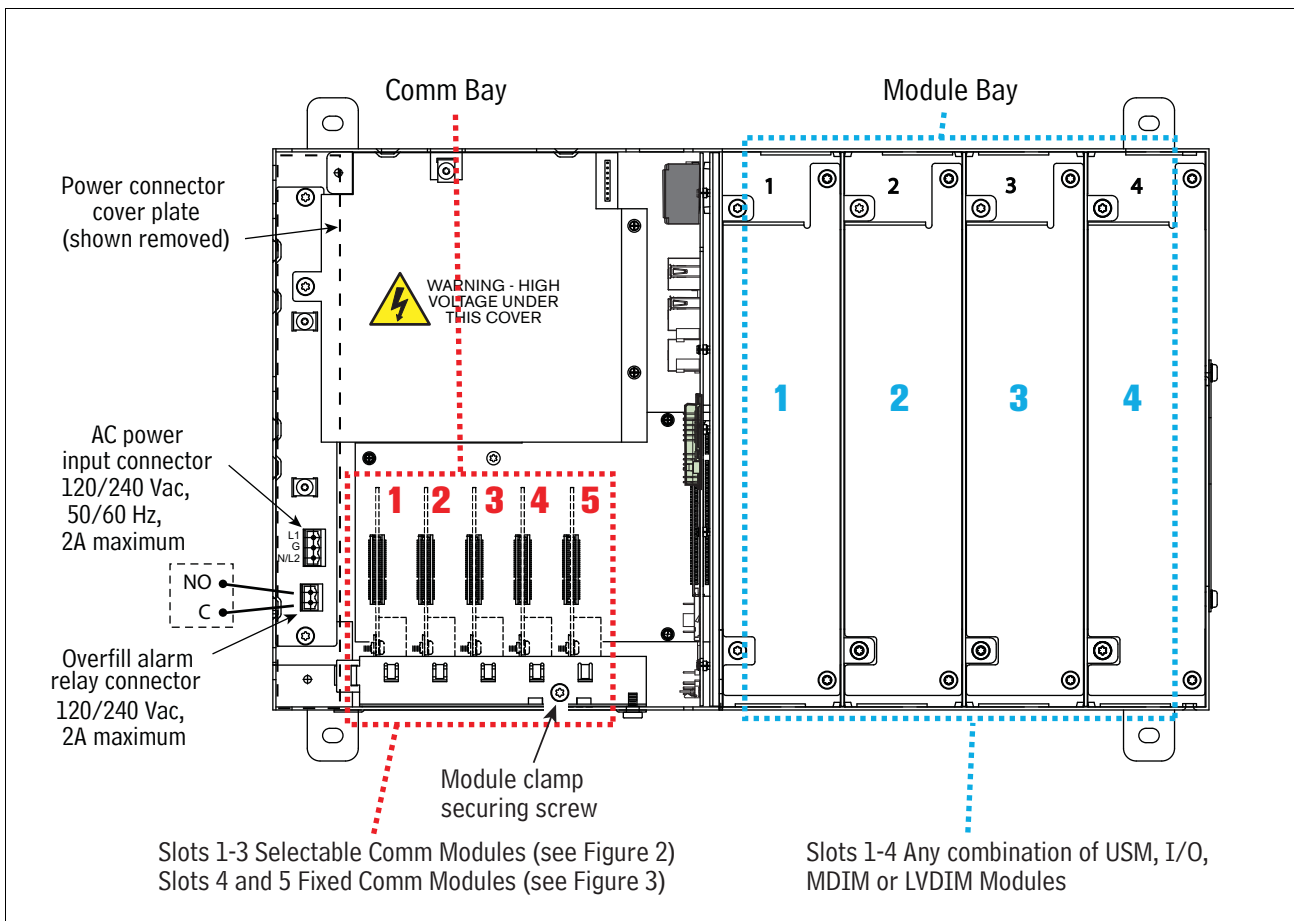


Figure 1. TLS-450PLUS Console - Plug-in Module Compartments

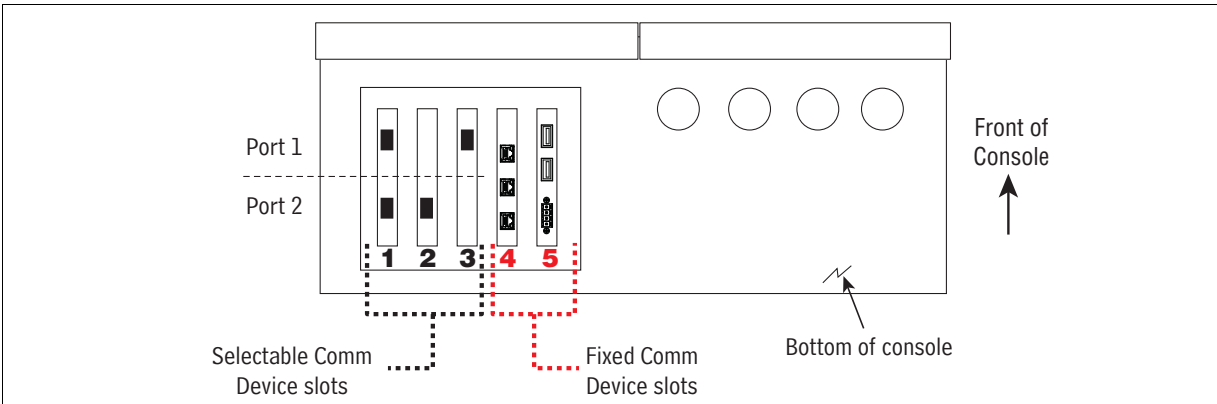


Figure 2. TLS-450PLUS Console - Selectable Comm Modules

Table 1. Selectable Comm Module Permissible Slots And Port Availability

Comm Module	Comm Type	Slot 1		Slot 2		Slot 3	
		Port		Port		Port	
		1	2	1	2	1	2
RS-232 Single Port (also EDIM, Satellite S-SAT and Satellite H-JBox apps.)	Serial	NC	C	NC	C	NC	C
RS-232 Dual Port (also EDIM, Satellite S-SAT and Satellite H-JBox apps.)		C	C	C	C	NC	C
RS-485 Single Port		NC	C	NC	C	NC	C
RS-485 Dual Port		C	C	C	C	NC	C
RS-232/RS-485 Dual Port		C (RS-232)	C (RS-485)	C (RS-232)	C (RS-485)	NC	C (RS-485)
SiteFax / Modem		NC	C	NC	C	NC	C
CDIM	DIM	C	NC	C	NC	---	---
IFSF LON		C	NC	C	NC	C	NC

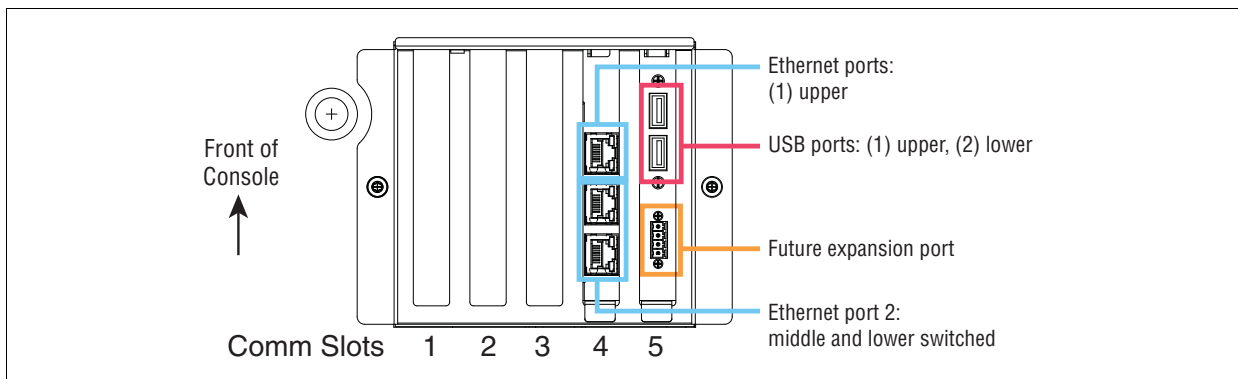


Figure 3. TLS-450PLUS Console - Fixed Comm Modules

Planning Probe and Sensor Installations

The contractor should diagram, all proposed trench and conduit runs between the console's intended location and its deployed sensors and probes. A site diagram will help you to calculate conduit and wiring lengths, and necessary quantities of junction boxes, sealing boxes, clamps, brackets, etc.

Throughout this planning process and in the actual installation, you must follow the latest National Electric Codes, federal, state, and local codes, as regards conduit type, depth below grade, sealing, grounding, wire capacities, etc.

Reminder: to ensure optimum signal strength, plan sensor and probe wiring lengths so that there will be no splices between the field junction box connection and the interface module connection in the console. Every splice in the hazardous area requires the use of an epoxy sealing kit which should not be pulled through the conduit and must be located in a separate waterproof, sealed junction box.

To maintain the intrinsically-safe integrity of the installed console, sensor and probe conduits can share the same trenches with power conduits, but the intrinsically safe sensor and probe wiring can NOT share the same conduit with any other wiring. Also, the intrinsically safe wiring for console can NOT share the same conduit with another device's intrinsically safe wiring.

Install conduit from all probe and sensor locations to the console's location. Knockouts for 3/4" and 1" I.P.S. conduit are provided in both the top and bottom of the console for probe and sensor wiring.

The conduit must be properly sealed in accordance with the latest National Electric Code (NFPA 70) and the Code for Motor Fuel Dispensing Facilities and Repair Garages (NFPA 30A) since they pass from a Class I, Division 1 or 2 hazardous area into a non-hazardous area. Figure 4 illustrates a typical site deployment of probes and sensors.

If the console is being installed into a paved site, you can either dig out trenches in the pavement to run conduit out to sensors and probes as described above, or you can cut grooves in the pavement, run direct burial cable to these devices, and then seal over the cable grooves (if permitted).

NOTE: Installation of the Direct Burial System can only be done in those locations where local codes permit the use of buried cable instead of conduit, and epoxy splices instead of junction boxes.

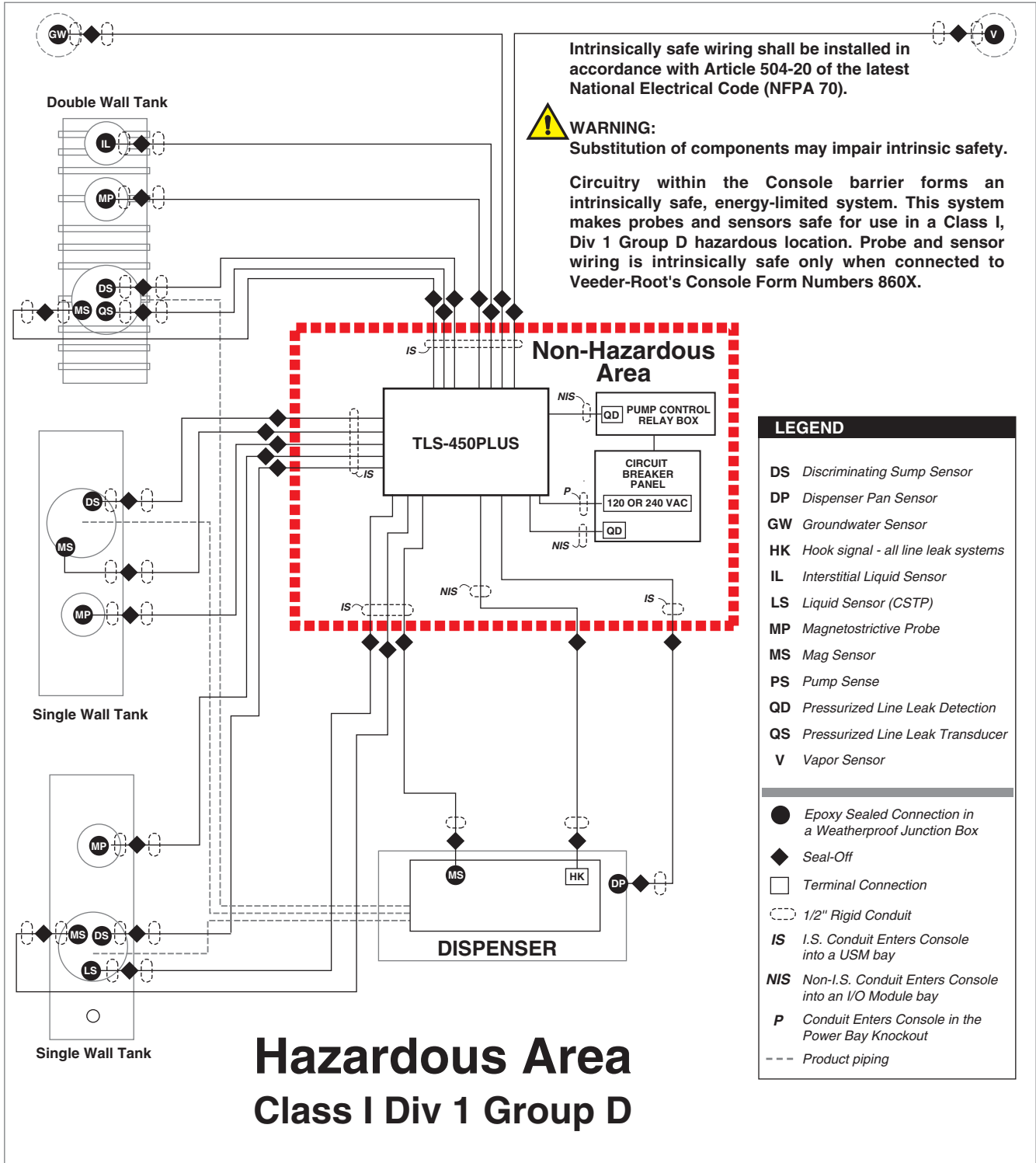


Figure 4. TLS-450PLUS System Typical Site/Forecourt Layout

Console Installation

Locating the Console

⚠ WARNING	
	<p>FAILURE TO COMPLY WITH THE FOLLOWING WARNINGS AND SAFETY PRECAUTIONS COULD CAUSE DAMAGE TO PROPERTY, ENVIRONMENT, RESULTING IN SERIOUS INJURY OR DEATH.</p> <p>Explosive vapors or flammable liquids could be present near locations where fuels are stored or being dispensed.</p> <p>This console is not explosion proof. Do not install this console in a volatile, combustible, or explosive atmosphere.</p> <p>An explosion or fire resulting in serious injury or death, property loss and equipment damage could occur if the console is installed in a volatile, combustible or explosive atmosphere (Class I, Division 1 or 2).</p>

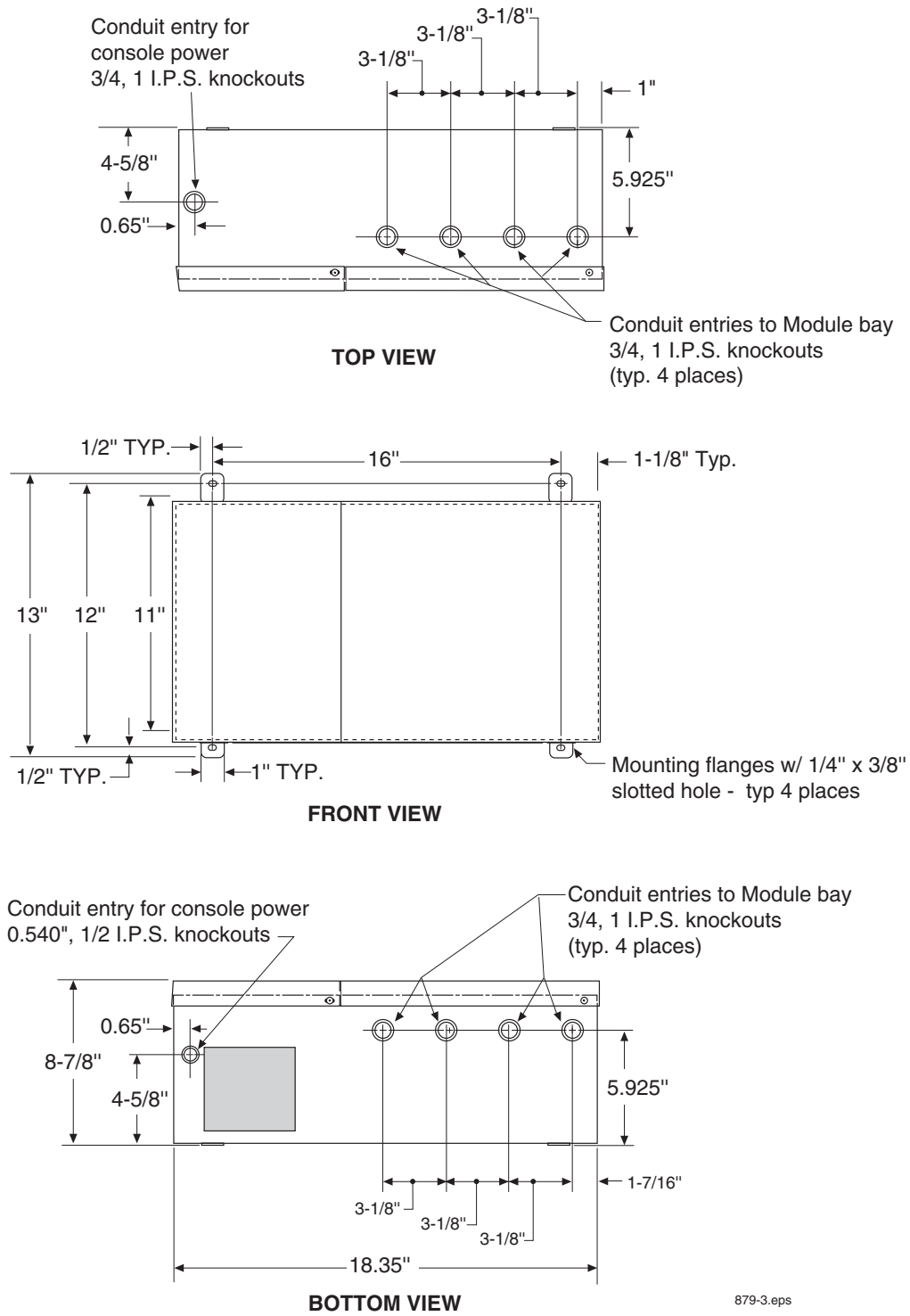
Select a mounting location on the inside of any building. The console must be protected from severe vibration, extremes in temperature and humidity, rain, and other conditions that could harm computerized electronic equipment. The console's operating temperature range is 32 to 104°F (0 to 40°C), and its storage temperature range is -40 to +162°F (-40 to +74°C).

The mounting surface should be strong enough to support the console's weight which could be approximately 35 pounds with a full complement of modules. You should also consider wall space for routing the power wiring conduits and probe and sensor wiring conduits that must be connected to the console.

Mounting the Console

Install the console fastening devices to the mounting surface using the hole pattern shown in Figure 5. Up to 1/4" diameter screws may be used.

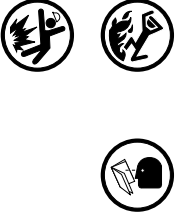
Mount the console to the mounting surface using the four mounting flanges on the back of the unit. Install metal conduit between the console and the power panel. Figure 5 shows the two designated knockouts through which power wiring can safely enter the console.



879-3.eps

Figure 5. TLS-450PLUS Console Dimensions And Designated Conduit Knockouts

Wiring Conduit Safety Issues

⚠ WARNING	
	<p>FAILURE TO COMPLY WITH THE FOLLOWING WARNINGS AND SAFETY PRECAUTIONS COULD CAUSE DAMAGE TO PROPERTY, ENVIRONMENT, RESULTING IN SERIOUS INJURY OR DEATH.</p> <p>Probes and sensors operate in areas where flammable liquids and explosive vapors may be present.</p> <p>Improper installation may result in fire or explosion causing serious injury or death.</p> <p>Practice the following:</p> <ol style="list-style-type: none"> 1. Read thoroughly and follow the instructions shipped with each probe and sensor. 2. Probe and sensor wiring conduit must not contain any other wires. 3. Probe and sensor wiring and conduits must enter the console only through their designated areas. 4. Power and communication wires and conduit must not enter the intrinsically safe area of the console.

Wiring between the console and the probes and sensors is of limited electrical power so that there is insufficient energy to ignite fuel. In the console, the low power, probe and sensor wiring is considered intrinsically safe because it is physically isolated from all high power wiring. To maintain the integrity of this safety feature, you must install probe and sensor wiring in separate conduits from all other wiring. In addition, probe and sensor conduits can only enter the console through the designated intrinsically safe area knockouts.

NOTE: Wiring from separate probes and sensors may be run in the same conduit or trough provided they are powered by the same console. Improper system operation will result if probe and sensor wiring to separate consoles share the same conduit. Do not run probe and sensor wiring to separate consoles in the same conduit. Do not run probe and sensor wiring with other equipment's intrinsically safe wiring in the same conduit. Improper system operation could also occur if the conduit locking nuts attaching conduit to the console are not tightened sufficiently to score the console's paint film and make good metal-to-metal contact. For proper grounding use grounding/bonding set screw conduit locknuts to achieve a good conduit-to-console metal bond.

Determining Tank Tilt

The following procedure to determine tank tilt is intended for U.S. installations. Record the required measurements in Table 2 for each of the tanks. If the probe is installed in the center of the tank, the value is 000.00 inches (0000.0 mm). NOTE: if using metric units, substitute millimeters for inches in the steps below.

1. Stick the tank at the fill riser opening at least three times. Record the average measurement taken at the top of the fill riser in column A of Table 2.
2. Measure the distance in inches between the centers of the probe riser and the fill riser. Record this distance in column B.
3. Measure the distance in inches from the center of the probe riser to the center of the tank. Record this distance in column C.
4. Record the probe's Fuel Height reading in inches in column D.
5. Subtract the value entered in column D from the value entered in column A. Record the result in column E.
6. Divide the value in column E by the value in column B to determine the pitch. Record the results in column F.
7. Multiply the value in column C by the value in column F to determine Tank Tilt. Record this value in column G.
8. Enter the calculated tilt in inches for each tank when you enter the Tank setup parameters (Menu>Setup>Tank>General).

Table 2. Tank Tilt Calculation Worksheet

Tank No.	A Stick Gauge Avg. Height @ Fill Riser	B Distance from Fill to Probe Riser	C Distance from Probe Riser to Center of Tank	D Probe's Fuel Height Reading	E (A - D = E)	F Pitch (E / B = F)	G Tank Tilt* (F x C = G)
1							
2							
3							
4							
5							
6							
7							
8							
9							
10							
11							
12							
13							
14							
15							
16							

*Tank Tilt may be a positive (+) or negative (-) value.

Determining Mag Probe Riser Size

Probe Riser Pipe Installation

A riser assembly consisting of a riser and riser cap, should be used for Mag Probe installation. Riser caps (see page 15) are normally fitted at the time of probe installation. If the probes are not to be installed immediately, cap the riser.

Table 3 lists minimum riser dimensions for use with Veeder-Root mag probe float sizes.

Table 3. Dimensions For Steel Riser Pipes And Mag Probe Floats

V-R Nominal Float Size (inch)	V-R Float OD inch (mm)	Riser Size				Recommended NPS Riser Size inch
		NPS Nom Pipe (inch)	DN Nom Pipe (mm)	ID Nom Pipe (inch)	ID Nom Pipe (mm)	
1	1.155 (29.34)	1	25	1.049	26.65	2
2	1.875 (47.63)	2	50	2.067	52.51	2
3	3.015 (76.58)	3	80	3.068	77.93	3
4	3.765 (95.63)	4	100	4.026	102.26	4

DN = diametre nominel, NPS = Nominal pipe size, Pipe type is iron or schedule 40 steel

Determining Mag Probe Length

Determining Mag Probe Length for Installation in a Dedicated Riser

1. Measure the distance from the bottom of the tank to the top of the probe manway, or the 2-, 3- or 4-inch tank opening- this is the minimum probe length (ref. Figure 6).
2. The probe canister must be within the riser pipe (minimum length of 10 inches [254mm]).

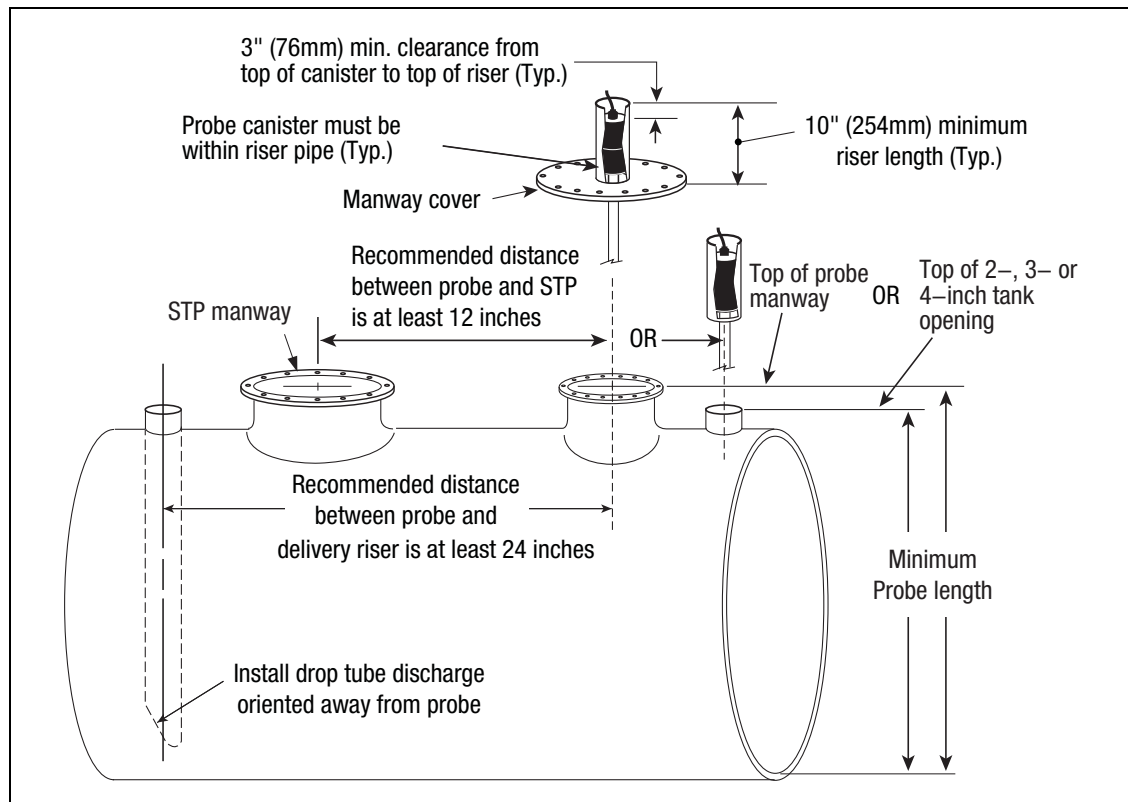


Figure 6. Determining The Minimum Mag Probe Length

Determining Mag Probe Length for Installation in a Vapor Extractor Riser

1. Measure the distance from the top of the riser to the Extractor Cage Cross Pin (see Figure 7). Record this distance as "D1" (Important - Dimension "D1" must be at least 25 inches).
2. Use the extractor wrench tool (OPW Part Number: 89-0044) to remove the Ball Float Check Valve Assembly from the riser.
3. Measure from the top of the riser to the bottom of the tank and record this distance as "D2".
4. Subtract "D1" from "D2", then add 7 inches, to determine the correct probe length.

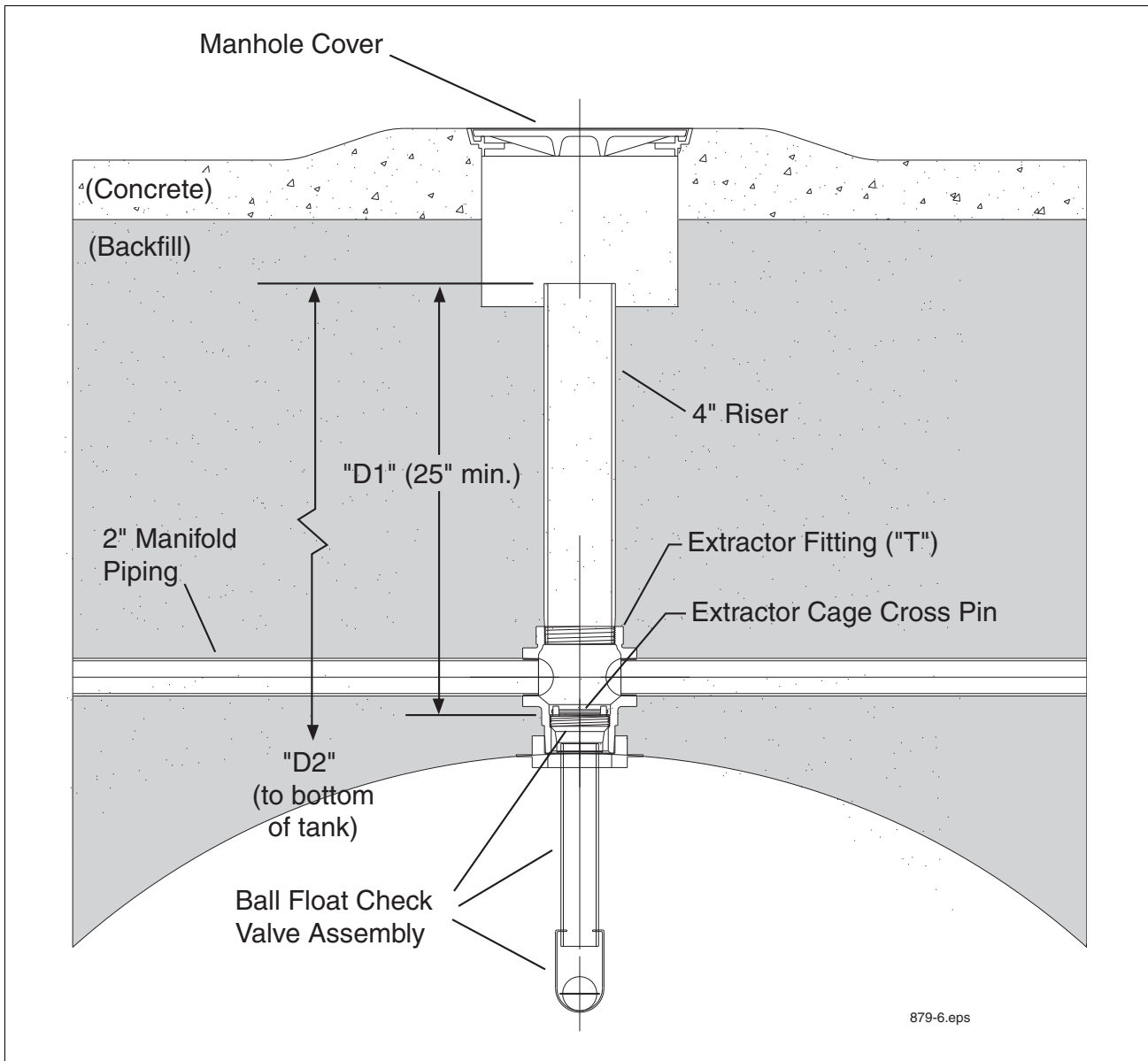


Figure 7. Determining Mag Probe Length For Installation In A Vapor Extractor Riser

Special Mag Probe Installation Kits

In addition to the Mag Probe installation kits shipped with each probe (containing floats, spacer rings, cable, etc.), your installation may also require one or more of the special kits described in this section.

AST Installation Kit

This kit is recommended when installing Mag Probes into an above ground storage tank (AST). This kit contains a length of flexible conduit, connectors, etc., for easier probe access. The kit contents are listed in Table 4 and shown in Figure 8.

Table 4. Mag Probe AST installation kit - Part No. 312020-984

Quantity	Description	Part Number
5 feet	3/8" Flexible conduit	576008-294
1	3/8" Adaptor nut	329972-002
2	3/8" Straight liquidtight connectors and related parts	576008-295
1	Cord Grip Group	331028-001

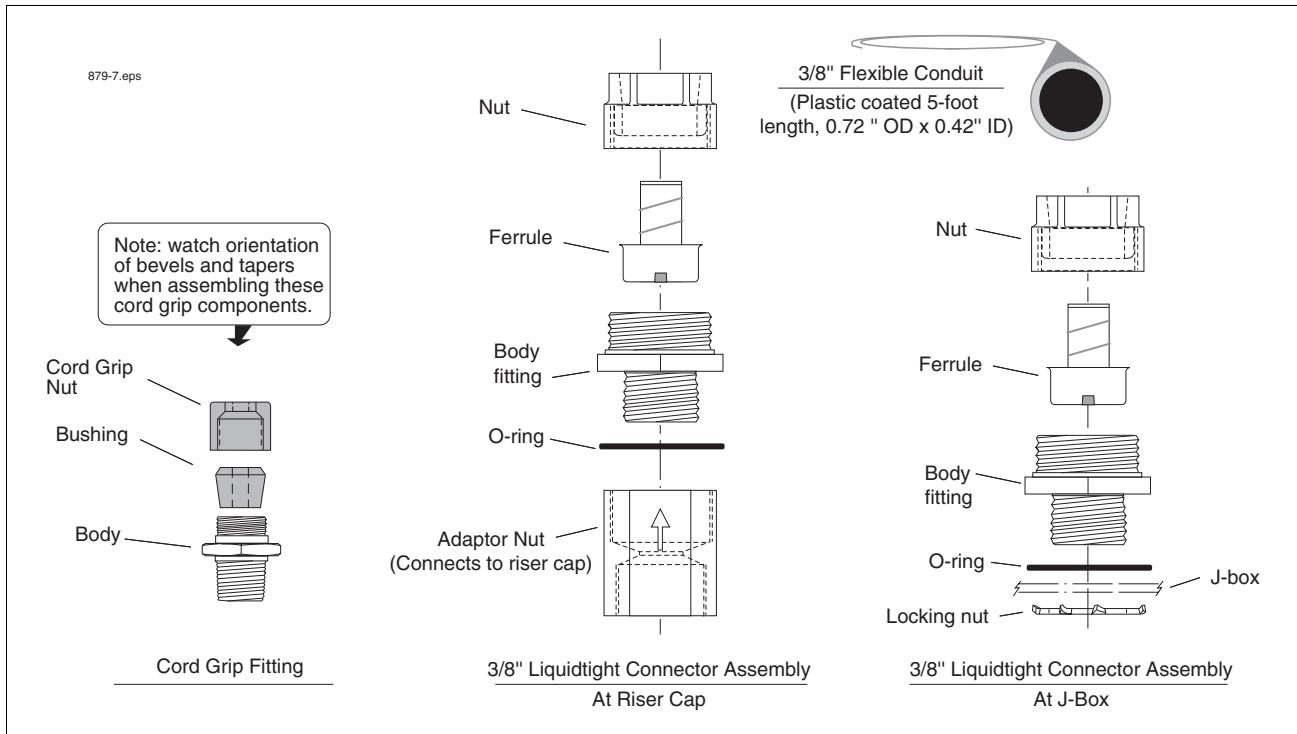


Figure 8. Mag Probe AST Installation Kit

Vapor Extraction Riser Kit w/ Coupling Adaptor

This kit contains parts needed to install a Mag Probe into a Vapor Extractor Riser that has a Coupling Adaptor (parts listed in Table 5 and shown in Figure 9):

Table 5. Vapor Extraction Riser Kit (W/ Coupling Adaptor) - Part No. 846500-001

Quantity	Description	Part Number
2	Wire Nut	576008-461
1	Cable Tie	576008-482
1	Splice Enclosure	514100-357
1	Splice Kit Instructions Manual	576013-861
1	PG7 / 1/4" Cord Grip Fitting	576008-637
1	Modified OPW Adaptor	331448-001
1	Shield -Fitting	331449-001
1	4" Hose Clamp	576008-638
12 inches	Flex Conduit	576008-294

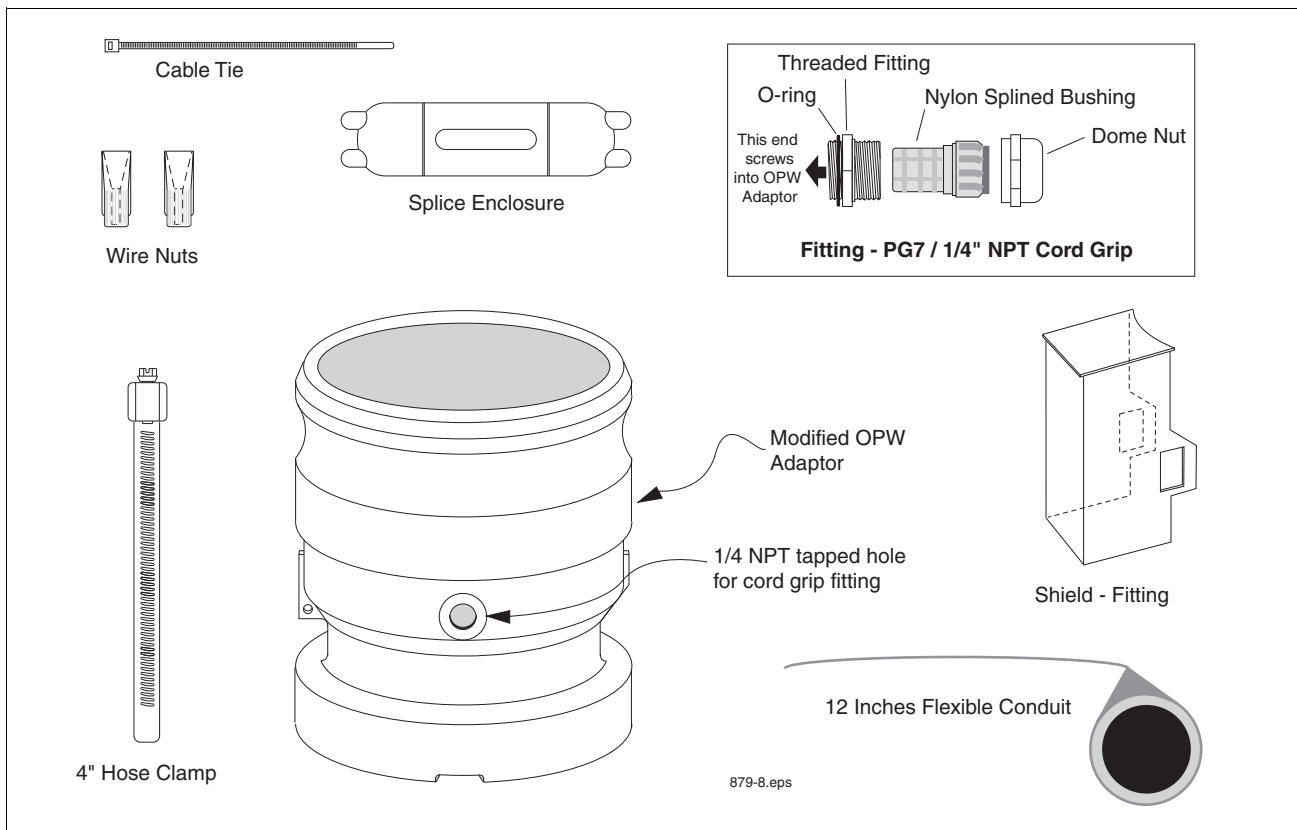


Figure 9. Mag Probe Vapor Extractor W/coupling Adaptor Installation Kit

Vapor Extraction Riser Kit w/o Coupling Adaptor

This kit contains parts needed to install a probe in a Vapor Extractor Riser that does not have a coupling adaptor (parts listed in Table 6 and shown in Figure 10):

Table 6. Vapor Extraction Riser Kit (W/O Coupling Adaptor) - Part No. 846500-002

Quantity	Description	Part Number
2	Wire Nut	576008-461
1	Cable Tie	576008-482
1	Splice Enclosure	514100-357
1	Splice Kit Instructions Manual	576013-861
1	Riser Cap	331106-001
1	Gasket	331140-001
1	Cord Grip Bushing	330787-001
1	Cord Grip Nut	330594-001
12 inches	Flex Conduit	576008-294

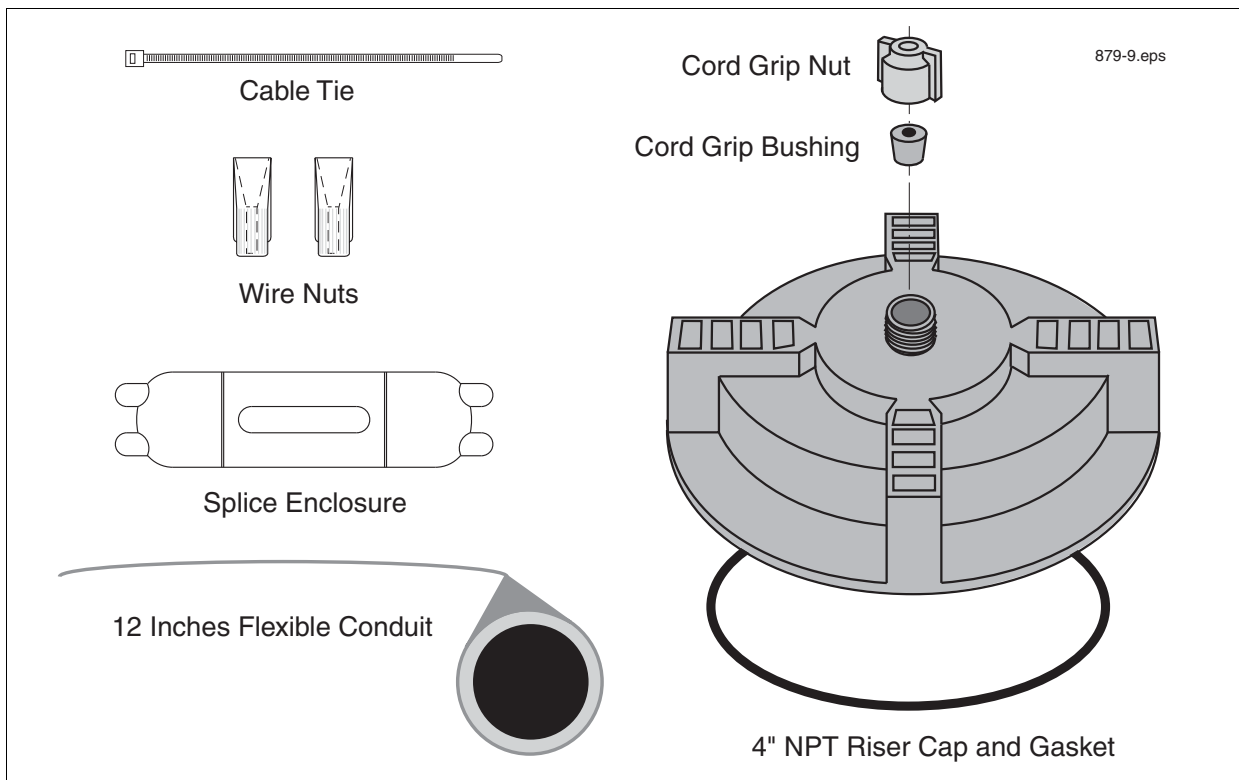


Figure 10. Mag Probe Vapor Extractor W/o Coupling Adaptor Installation Kit

Riser Cap Kit for Mag Probe Installations

The cap on the riser containing the Mag Probe must be modified to allow the probe's cable to exit the riser. This modification requires making a 1/2"-14 NPT tapped hole in the cap for a cord grip. Two types of drilled and tapped Riser Cap kits are available for purchase, or you may be able to modify the existing riser cap.

CAP AND CORD GRIP KIT

This Riser Cap kit (Table 7) contains a non-metallic cap which screws onto the 4" NPT riser (Figure 11). The cap comes drilled and tapped with a cord grip.

Table 7. Cap And Cord Grip Kit - Part No. 330020-282

Quantity	Description	Part Number
1	Cap Riser	331106-001
1	Gasket	331140-001
1	Bushing - Cord Grip	330787-001
1	Nut - Cord Grip	330594-001

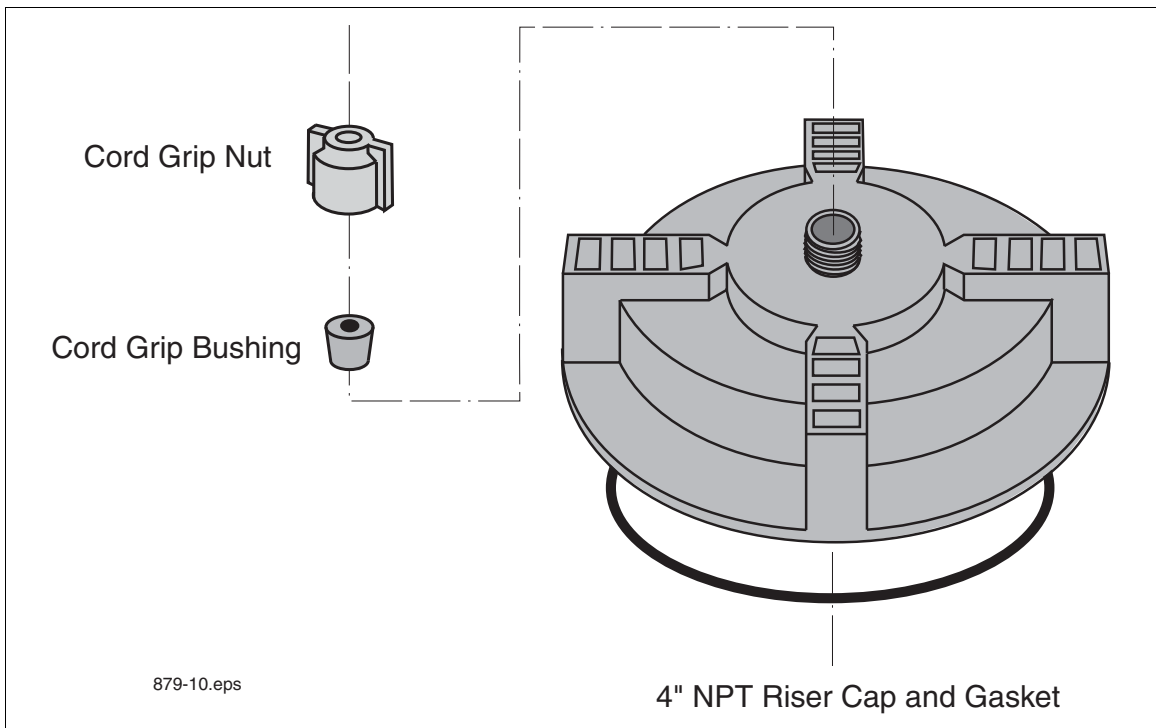


Figure 11. Cap And Cord Grip Kit

METAL CAP AND RING KIT

This riser cap kit contains an adapter ring which screws onto the 4" NPT riser and a quick-release metal cap which clamps onto the ring (Table 8). The cap comes drilled and tapped with a cord grip (Figure 12).

Table 8. Metal Cap And Ring Kit - Part No. 312020-952

Quantity	Description	Part Number
1	Adapter ring and gasket	514100-332
1	Cap and gasket	327869-003
1	Group Cord Grip	331028-001

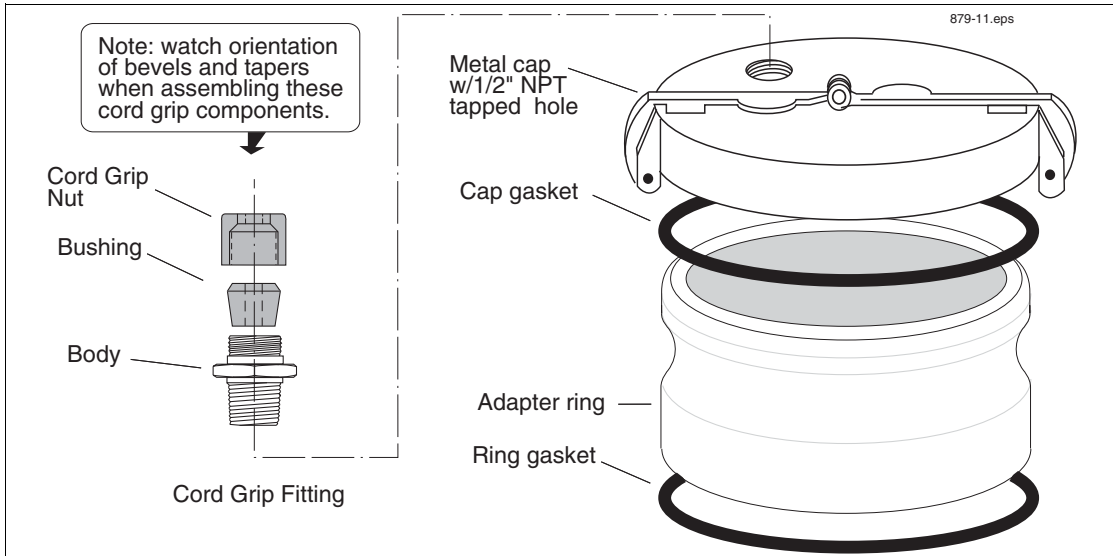


Figure 12. Metal Cap And Ring Kit

Modifying an Existing Metal Cap

In order to ensure that the riser cap seals properly to the probe cable and riser, we recommend that you purchase one of the kits available for this purpose. Riser Caps from other manufacturers may require modification. If you use your own metal riser cap, you must drill and tap it for a cord grip fitting (P/N 331028-001) as follows.

1. Remove the cap to a non-hazardous location.
2. Drill and tap the cap for a 1/2"-14 NPT cord grip thread [Figure 13].

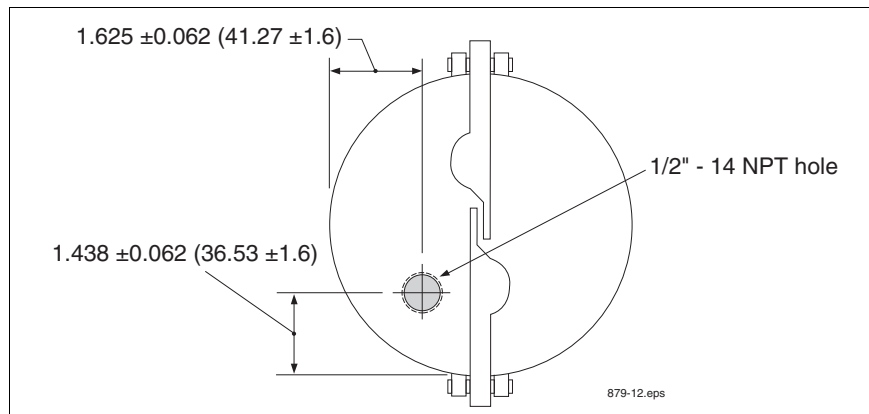


Figure 13. Modifying An Existing Metal Riser Cap

Mag Probe Installation

UST/AST Tank - Dedicated Riser



1. Turn OFF power to the console.
2. Remove any sludge from the bottom of the tank.
3. Check that floats, boot, and cable are assembled correctly on probe (ref. Mag Probe Assembly Manual).
4. Gently slide the float(s) to the bottom of the probe shaft before raising the probe. Carefully lower the probe into the riser pipe until the boot rests on the bottom of the tank [See Figure 14 for UST installation or Figure 15 for AST installation].



WARNING! Handle probes carefully. Striking or dropping the probe will result in loss of calibration and damage to the probe.

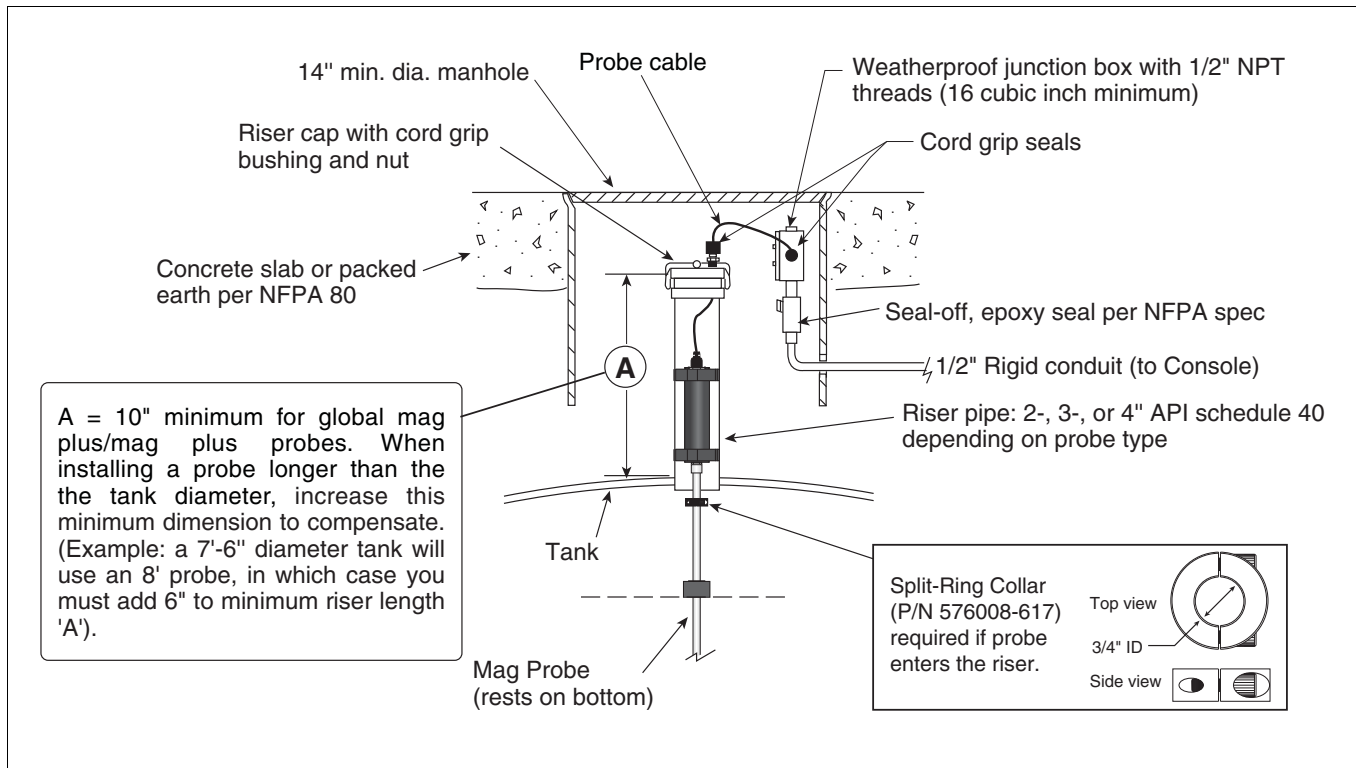


Figure 14. UST Probe Installation - Dedicated Riser

UST RISER CAP ATTACHMENT

1. If you are using the one piece cap (see Figure 11 on page 18), push the end of the probe cable through the cord grip bushing and nut on the cap, leaving a minimal amount of slack between the probe and cap. Screw the cap onto the riser by hand until the gasket first contacts the pipe. Then lightly tap the cap with a hammer to tighten it an additional 3/4 turn. Go to Step 3.

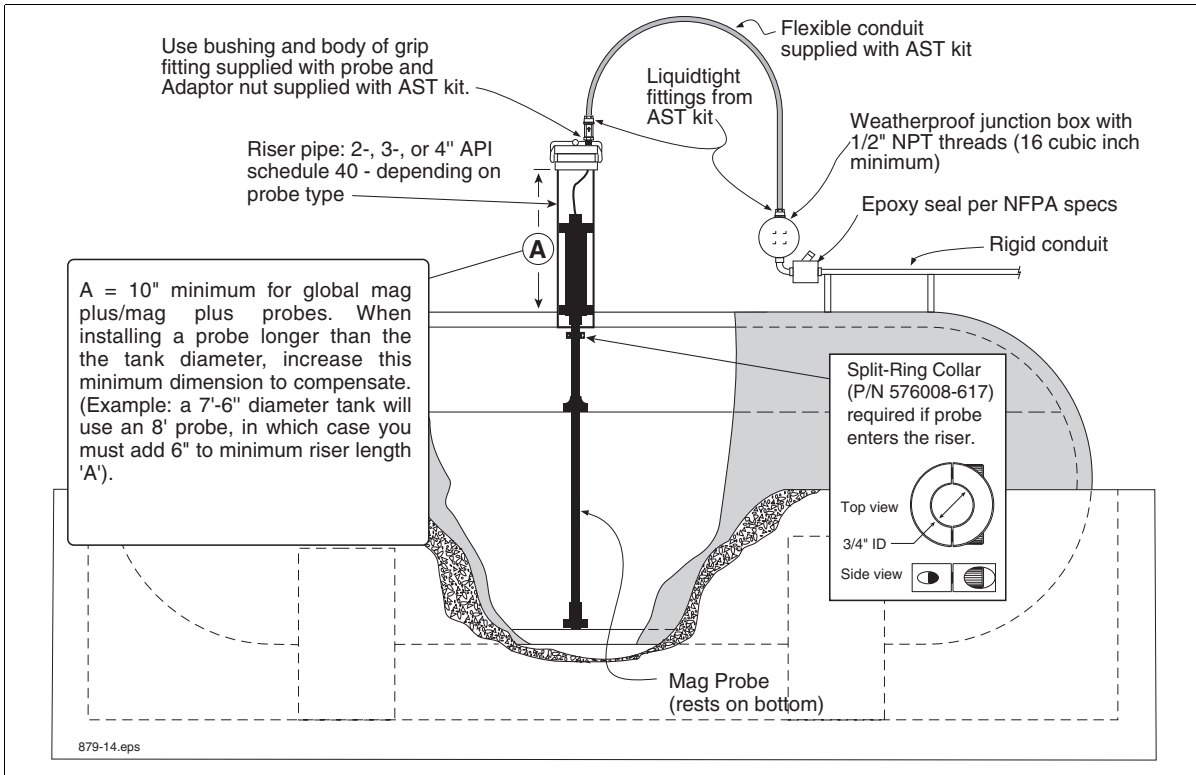


Figure 15. AST Probe Installation - Dedicated Riser

2. If you are installing the metal cap and adapter ring (see Figure 12 on page 19), screw the ring onto the 4" riser until the gasket contacts the pipe, then use a pipe wrench to tighten it an additional 3/4 turn. Push the cable through the metal cap and cord grip, then clamp the cap onto the ring.

At sites that require installation of a riser adaptor (Phil-Tite M/F 4X4 or equivalent) at the top of the riser, do so following the manufacturer's instructions. Next screw the adapter ring from the Veeder-Root kit (P/N 312020-952) onto the riser adaptor by hand until the gasket contacts the sealing surface. Then use a torque wrench attached to an appropriate strap wrench (K-D Specialty tools nylon strap oil filter wrench, or equivalent) and tighten the ring to 35 - 45 ft-lbs. Loosen the cord grip nut and push the cable through the metal cap and cord grip, then clamp the cap onto the ring (see Figure 16).

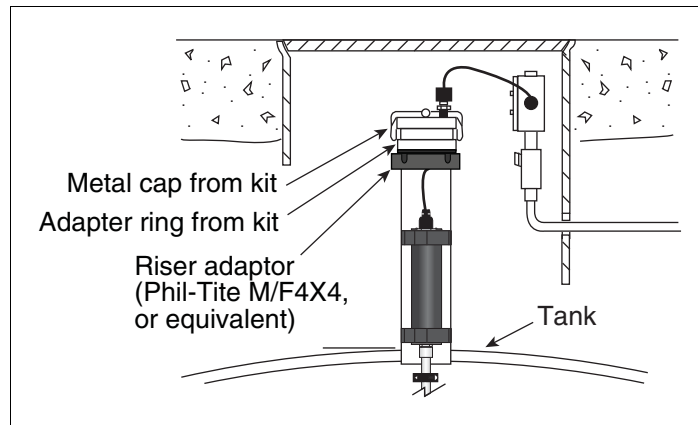


Figure 16. Installing A Riser Adaptor Beneath The Metal Cap And Adapter Ring

3. Make sure there is a minimal amount of slack between the probe and cap, then tighten the cord grip nut until the cable is held firmly. Push the end of the cable through the field J-box cord grip, then tighten that cord grip nut as well. Splice and seal the wires in the J-box as shown in the Probe and Sensor Field Wiring on page 37.

AST RISER CAP ATTACHMENT

1. If you are using the one piece cap (see Figure 11 on page 18), push the end of the probe cable through the cap and cord grip bushing, leaving a minimal amount of slack between the probe and cap. Discard the cord grip nut and attach the Adaptor Nut from the AST kit to the cap (see Figure 8 on page 15). Tighten the Adaptor Nut until the cable is held firmly. Go to Step 3.
2. If you are installing the metal cap and ring (see Figure 12 on page 19), screw the ring onto the 4" riser until the gasket contacts the pipe, then use a pipe wrench to tighten it an additional 3/4 turn. Using UL-classified pipe sealant (suitable for the fuels involved), screw the cord grip fitting into the tapped hole and tighten. Place the cord grip bushing in the fitting. Discard the cord grip nut and loosely screw the Adaptor Nut from the AST kit onto the cord grip fitting (see Figure 8 on page 15). Push the cable through the metal cap, bushing, and Adaptor nut, then clamp the cap onto the ring. Make sure there is a minimal amount of slack between the probe and cap, then tighten the Adaptor Nut until the cable is held firmly.
3. Next assemble the liquidtight connectors on both ends of the flexible conduit as shown in Figure 8. Push the cable through the flexible conduit assembly and into the J-box. Connect the flexible conduit assembly to the Adaptor Nut on one end and the J-box on the other.
4. Tighten the fittings until snug. Splice and seal the wires in the J-box as shown in the Probe and Sensor Field Wiring on page 37.

UST Installation - Vapor Extractor Riser w/ Coupling Adaptor

This type installation is usually a retrofit and is usually connected to the console via direct burial cabling. The site should already be prepped (all digging, saw cutting, and jackhammering done) prior to probe installation (see Figure 17). A piece of flex conduit should be in place as shown to protect the cable.

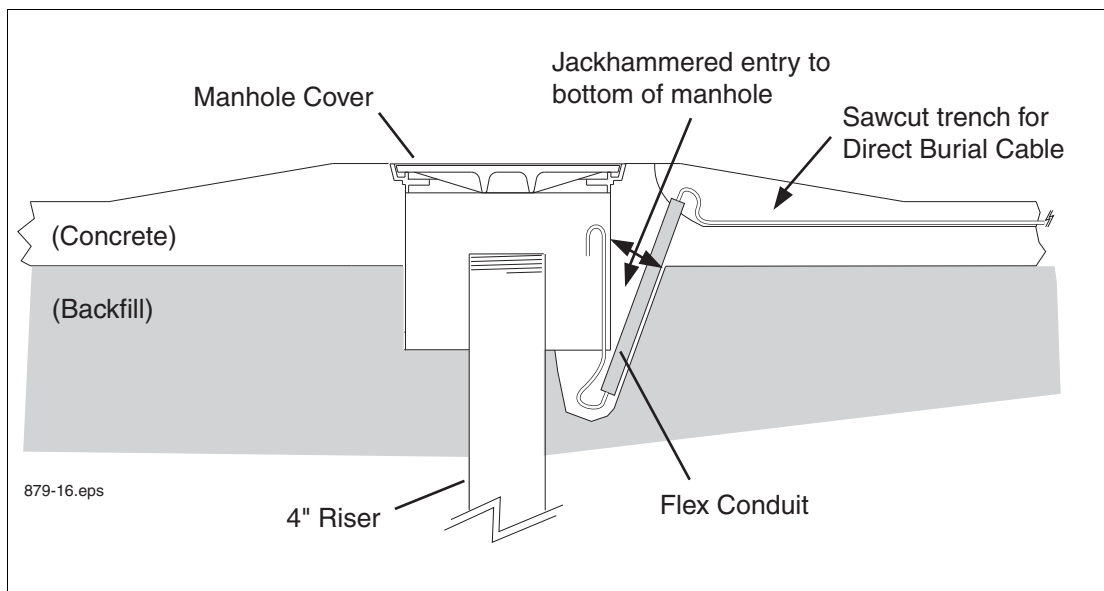


Figure 17. Vapor Extractor Cabling Entry

1. Remove any existing hardware from the Vapor Extractor Riser so that it's 4" NPT riser threads are exposed.
2. Use the extractor wrench tool (OPW Part Number: 89-0044) to remove the Ball Float Check Valve and Extractor Cage inside the bottom of the 4" riser (ref. Figure 7 on page 14). Important! - Ball Float Check Valve and Extractor Cage may be difficult to remove; **use caution**.
3. Remove any sludge from the bottom of the tank.
4. Assemble the probe floats, spacer rings, and cable as per the Mag Probe Assembly Manual.
5. Gently slide the float(s) to the bottom of the probe shaft. Important! - Handle probes carefully. Striking or dropping the probe will result in loss of calibration and could cause permanent damage.
6. Carefully lower the probe into the riser pipe until the boot rests on the bottom of the tank.
7. Thread the probe cable through the bottom of the new Coupling Adaptor and out the tapped opening in its side.
8. Screw the Coupling Adaptor onto the 4" riser until the gasket first contacts the riser pipe. Then use a pipe wrench to tighten the Coupling Adaptor an additional 3/4 turn.
9. Test pull the cable to insure that it is free of spring and that the probe is resting on the bottom of the tank. (Make sure there is some slack in the cable.)
10. Slip the PG7 cord grip fitting (o-ring end first) over the cable and screw it into the tapped hole in the Coupling Adaptor (ref Figure 9 on page 16 for the correct PG7 cord grip assembly). Tighten snugly - **Be careful not to overtighten**. Slide the domed nut of the PG7 fitting down the cable and tighten securely onto the PG7 fitting so that the cable stays firmly in place. **Again, be careful not to overtighten**.
11. Reattach the riser cap from the original installation onto the Coupling Adaptor.
12. Position the Shield-Fitting over the PG7 cord grip and secure with the hose clamp (see Figure 18 on page 24).
13. Splice the probe cable to the direct burial cable as shown in the Probe and Sensor Field Wiring on page 37, and seal following instructions shipped with the splice kit. Observe polarity!
14. Secure splice enclosure against the Shield-Fitting with the tie wrap.



WARNING! If Ball Float Check Valve was part of your Overfill Protection System, you now need to consider another form of overfill protection (i.e. TLS-450PLUS console alarm, drop tube with overfill protection valve or some other accepted means).

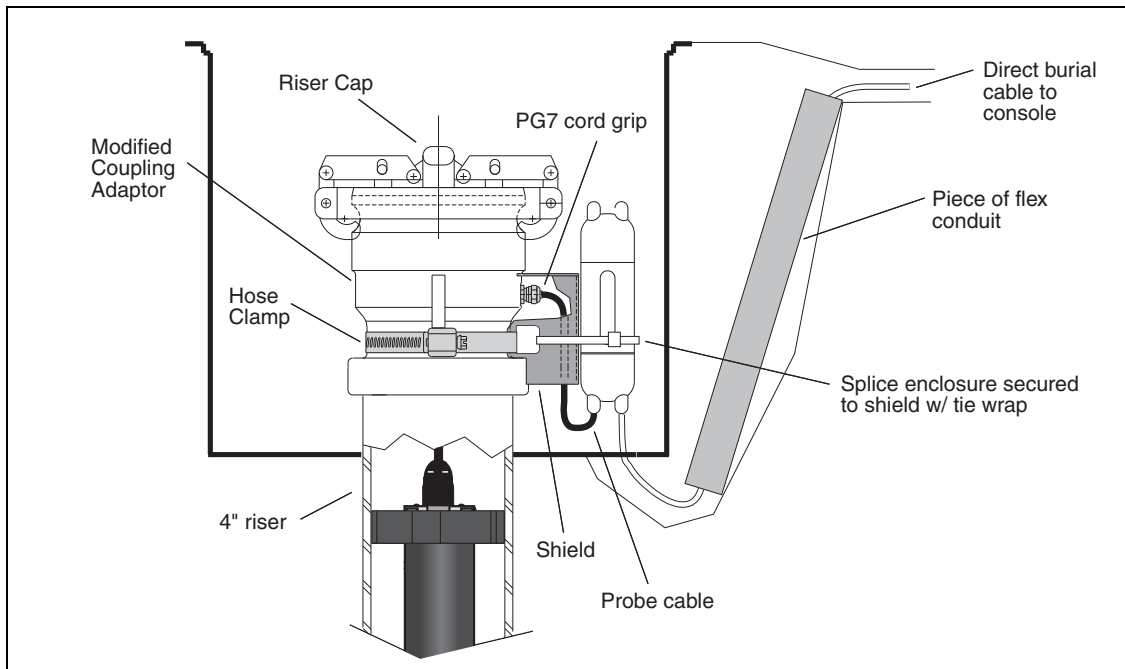


Figure 18. Mag Probe Vapor Extractor Riser Installation - W/Coupling Adaptor

UST Installation - Vapor Extractor Riser w/o Coupling Adaptor

This type installation is usually a retrofit and is usually connected to the console via direct burial cabling. The site should already be prepped (all digging, saw cutting, and jackhammering done) prior to Probe Installation (see Figure 17 on page 22). A piece of flex conduit should be in place as shown to protect the cable.

1. Remove any existing hardware from the Vapor Extractor Riser so that it's 4" NPT riser threads are exposed.
2. Use the extractor wrench tool (OPW Part Number: 89-0044) to remove the Ball Float Check Valve and Extractor Cage inside the bottom of the 4" riser (ref. Figure 7 on page 14). Important! - Ball Float Check Valve and Extractor Cage may be difficult to remove; **use caution**.
3. Remove any sludge from the bottom of the tank.
4. Assemble the probe floats, spacer rings, and cable as per the Mag Probe Assembly Manual.
5. Gently slide the float(s) to the bottom of the probe shaft. Important! - Handle probes carefully. Striking or dropping the probe will result in loss of calibration and could cause permanent damage.
6. Carefully lower the probe into the riser pipe until the boot rests on the bottom of the tank.
7. Ensure that the cord grip nut on the new cap is loose so that the bushing can rotate freely.
8. Thread the probe cable through the bushing and nut on the cap, leaving a minimal amount of slack between the probe and cap.
9. Install the cap onto the riser, threading it by hand until the gasket first contacts the riser pipe. Then lightly tap the cap with a hammer to tighten it an additional 3/4 turn.
10. Splice the probe cable to the direct burial cable as shown in the Probe and Sensor Field Wiring on page 37, and seal following instructions shipped with the splice kit. Observe polarity!
11. Bring the cable down the side of riser and secure into place with the tie wrap.



WARNING! If Ball Float Check Valve was part of your Overfill Protection System, you now need to consider another form of overfill protection (i.e. TLS-450PLUS console alarm, a drop tube with overfill protection valve or some other accepted means).

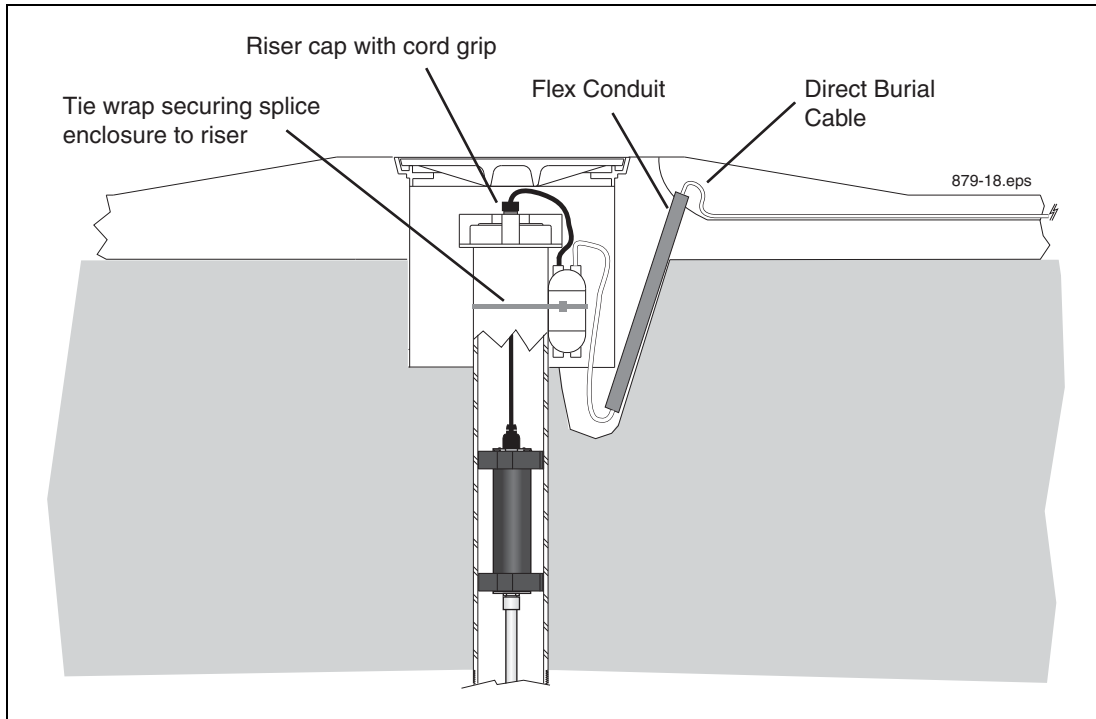


Figure 19. Mag Probe Vapor Extractor Riser Installation - W/O Coupling Adaptor

Sensor Installation

Sensor Installation Diagrams

General installation diagrams for various Veeder-Root sensors are shown in Figure 20 through Figure 34. When installing sensors you must adhere to the procedures shown in these figures, unless a separate manual is shipped with your sensor, in which case you should follow that manual's installation guidelines.

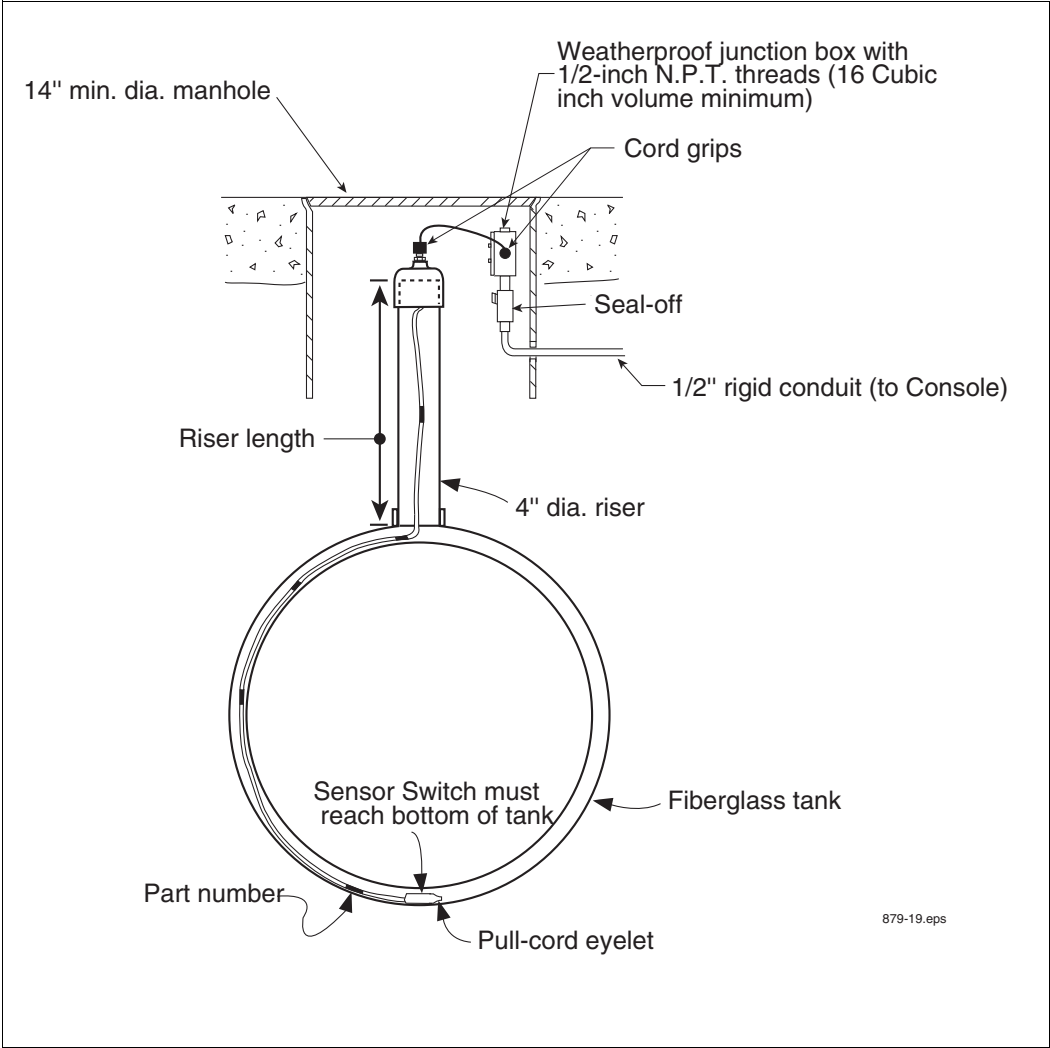


Figure 20. Example Interstitial Sensor Installation - Fiberglass UST

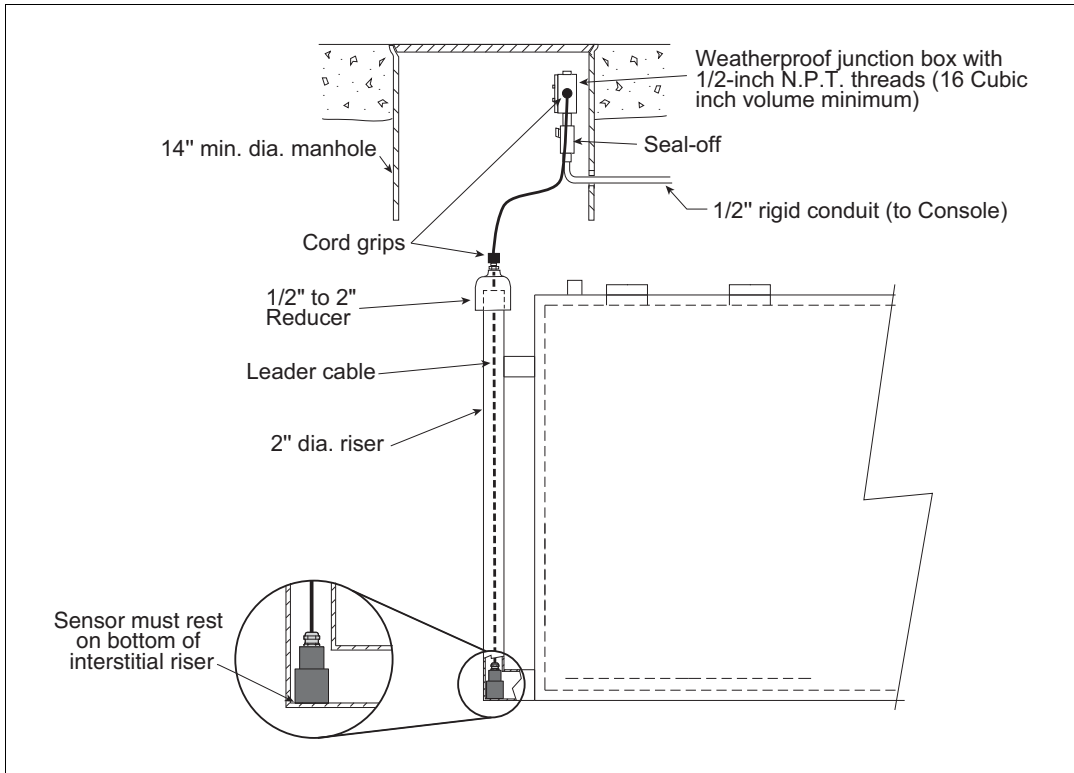


Figure 21. Example Position-Sensitive Interstitial Sensor Installation - Steel UST

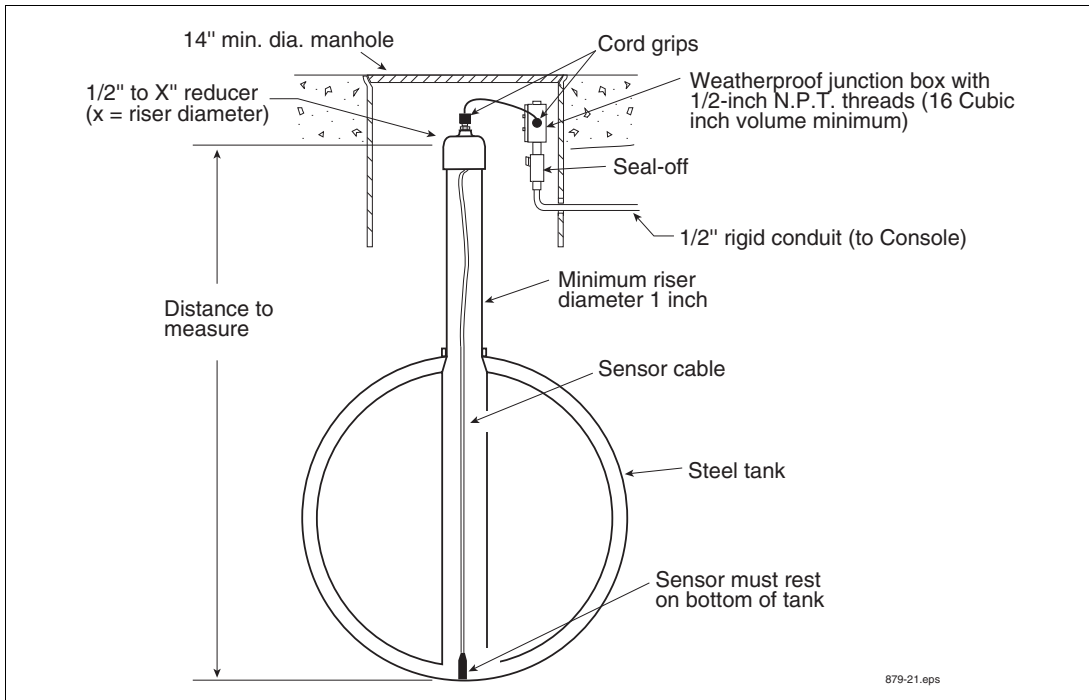


Figure 22. Example Interstitial MicroSensor Installation - Steel UST

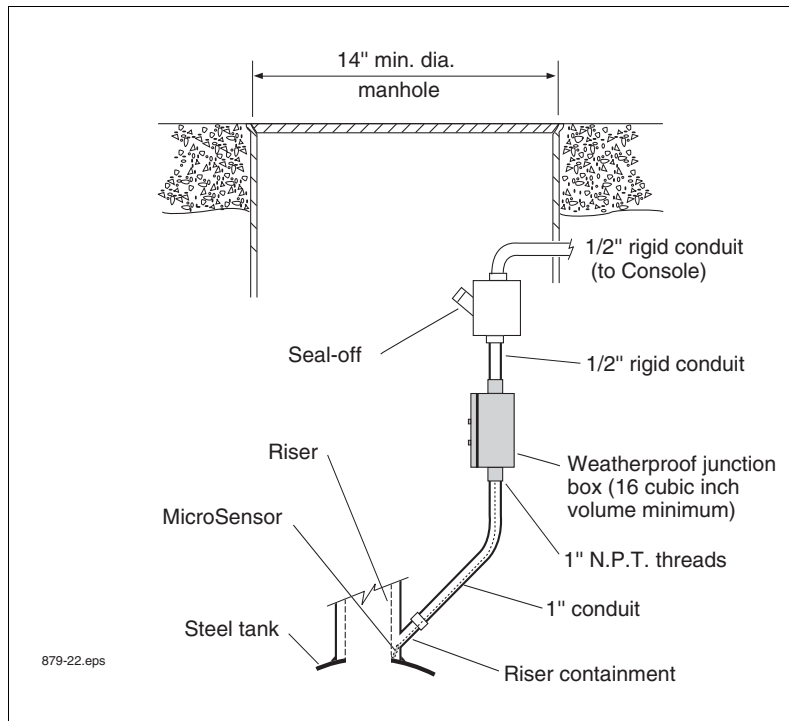


Figure 23. Example MicroSensor Installation in Riser Containment - Steel UST

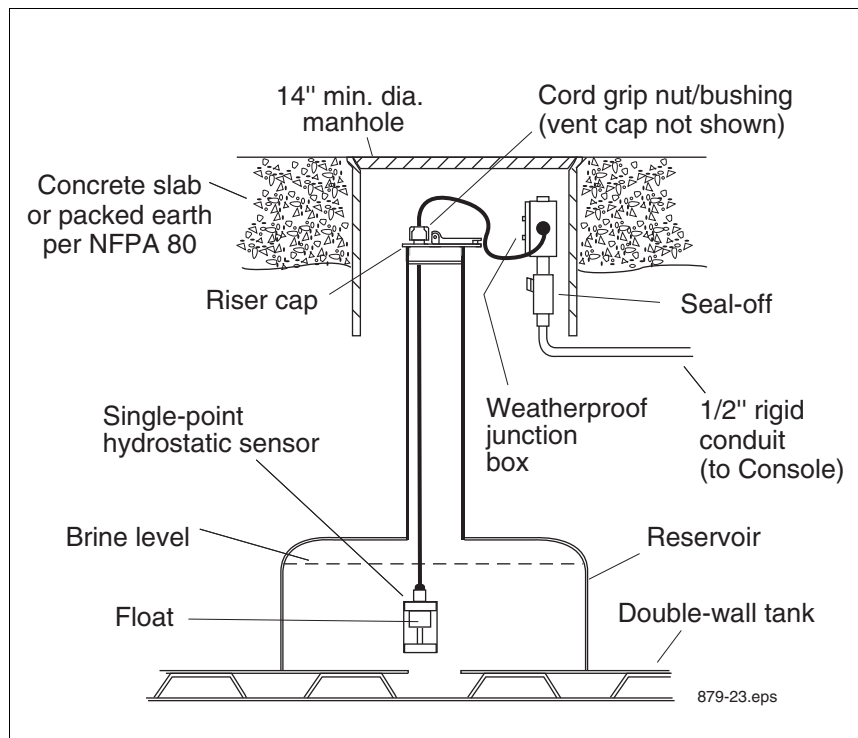


Figure 24. Example Hydrostatic Reservoir Single Float Sensor Installation

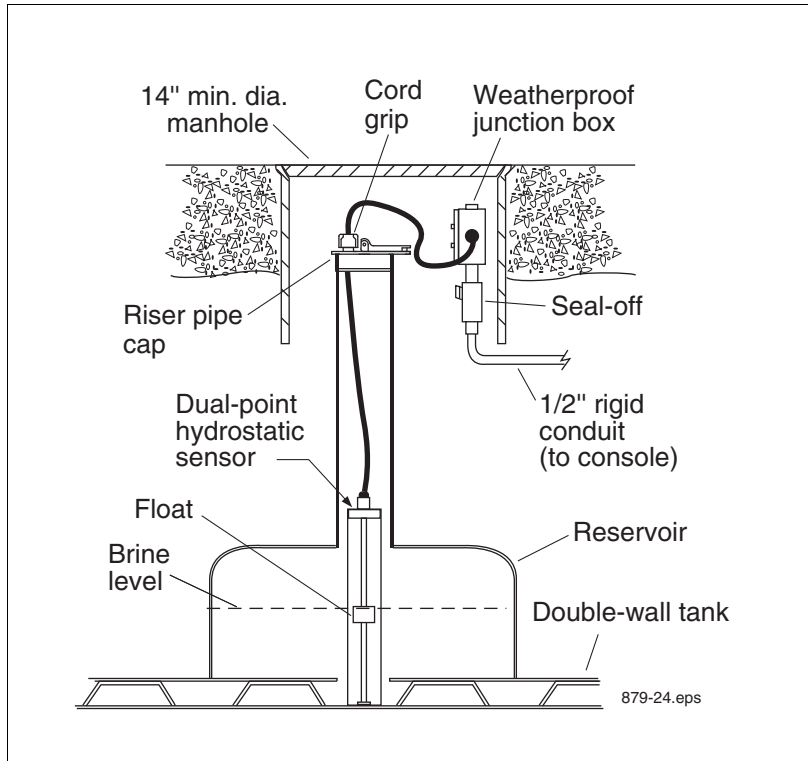


Figure 25. Example Hydrostatic Reservoir Dual Float Sensor Installation

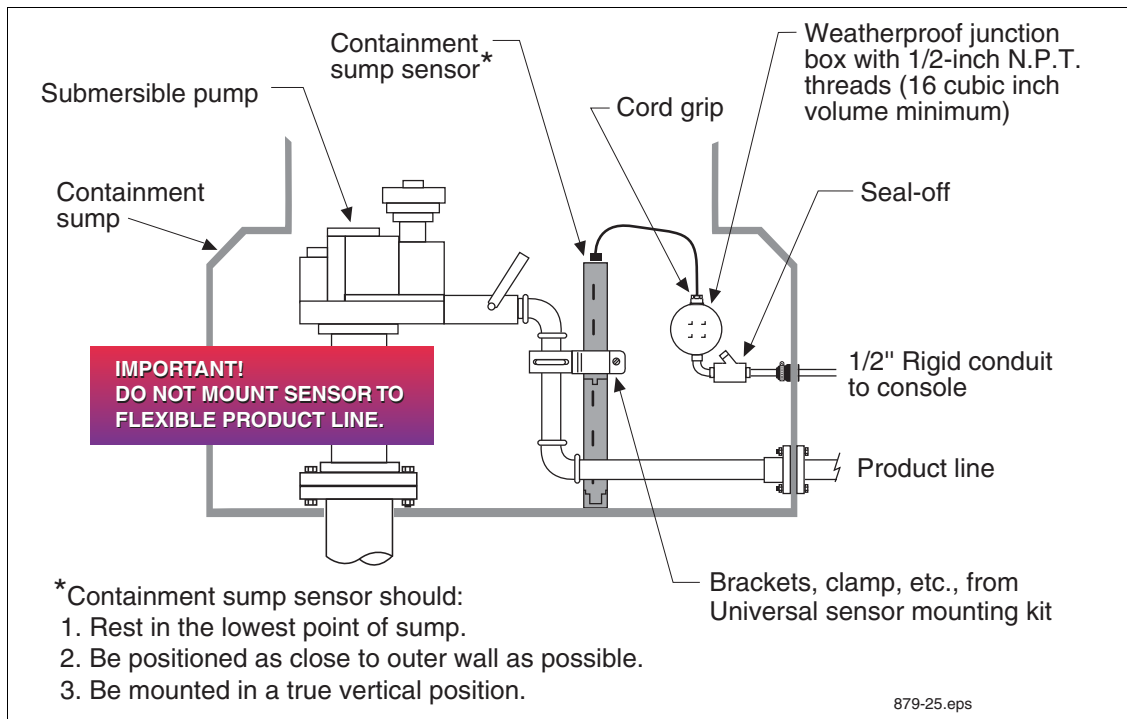


Figure 26. Example Containment Sump Sensor Installation

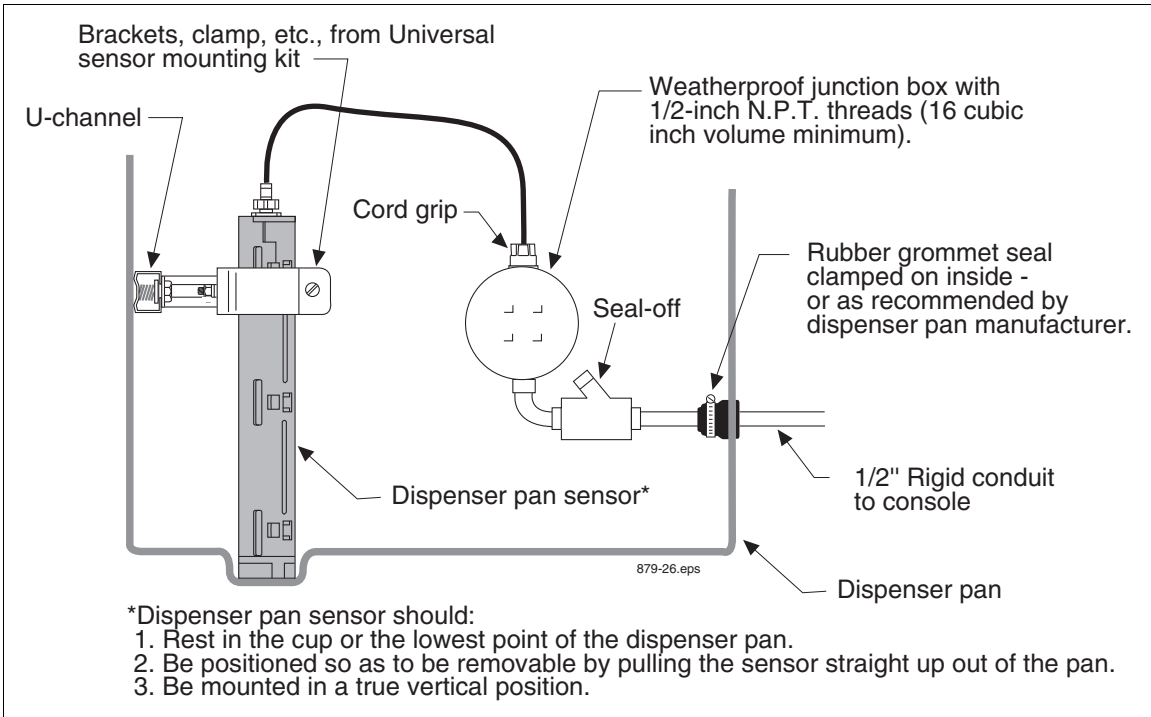


Figure 27. Example Dispenser Pan Sensor Installation

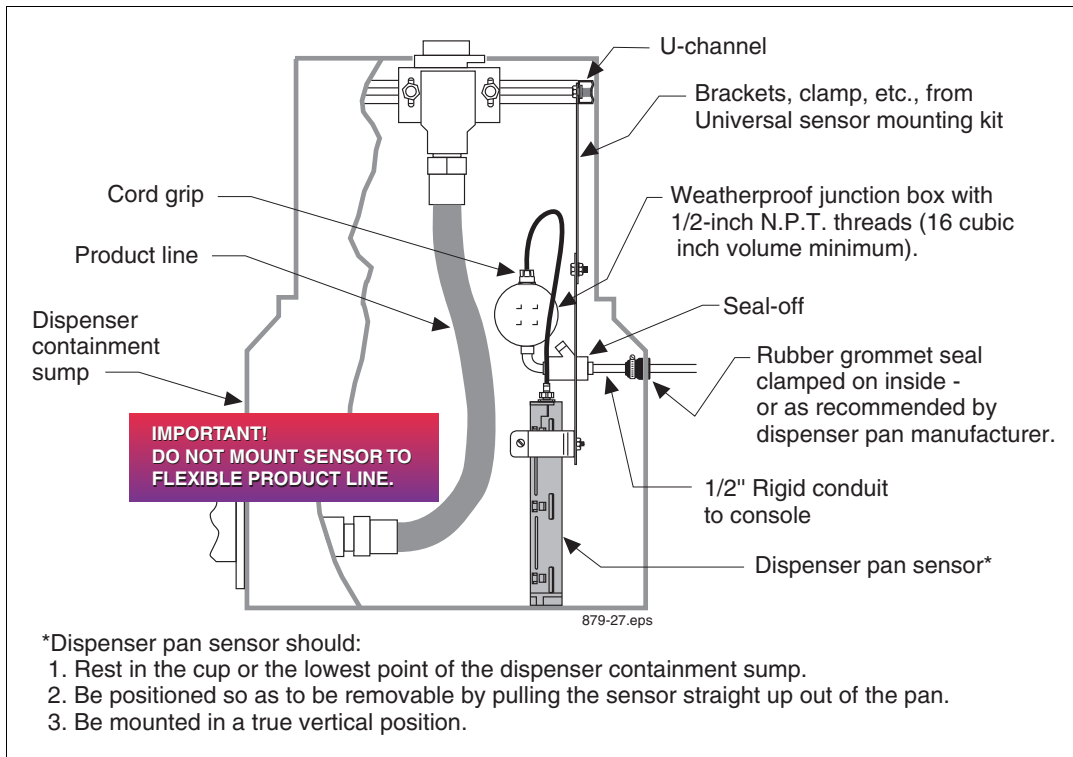


Figure 28. Example Dispenser Pan Sensor Installation In A Containment Sump

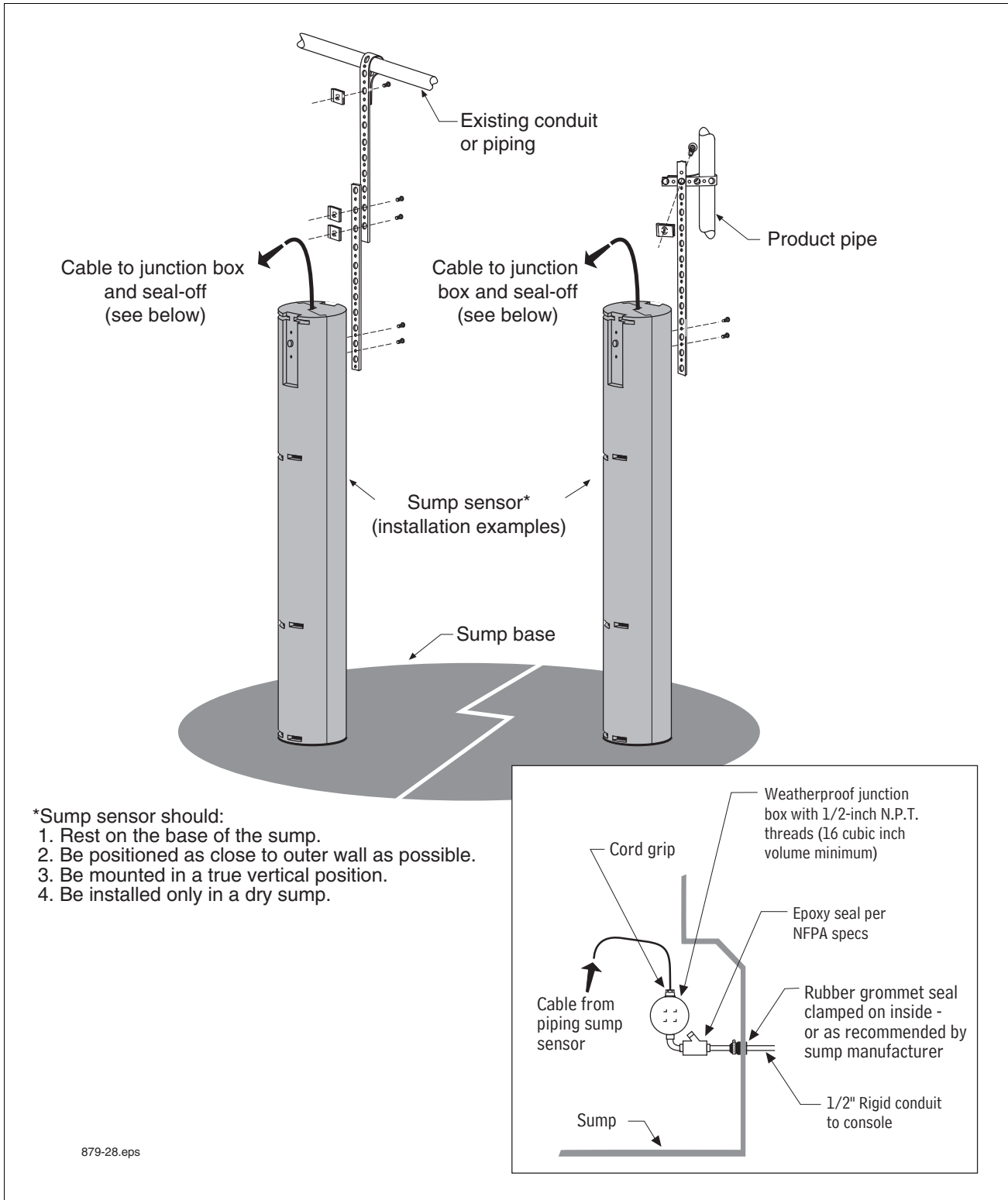


Figure 29. Example Sump Sensor Installations In Sump

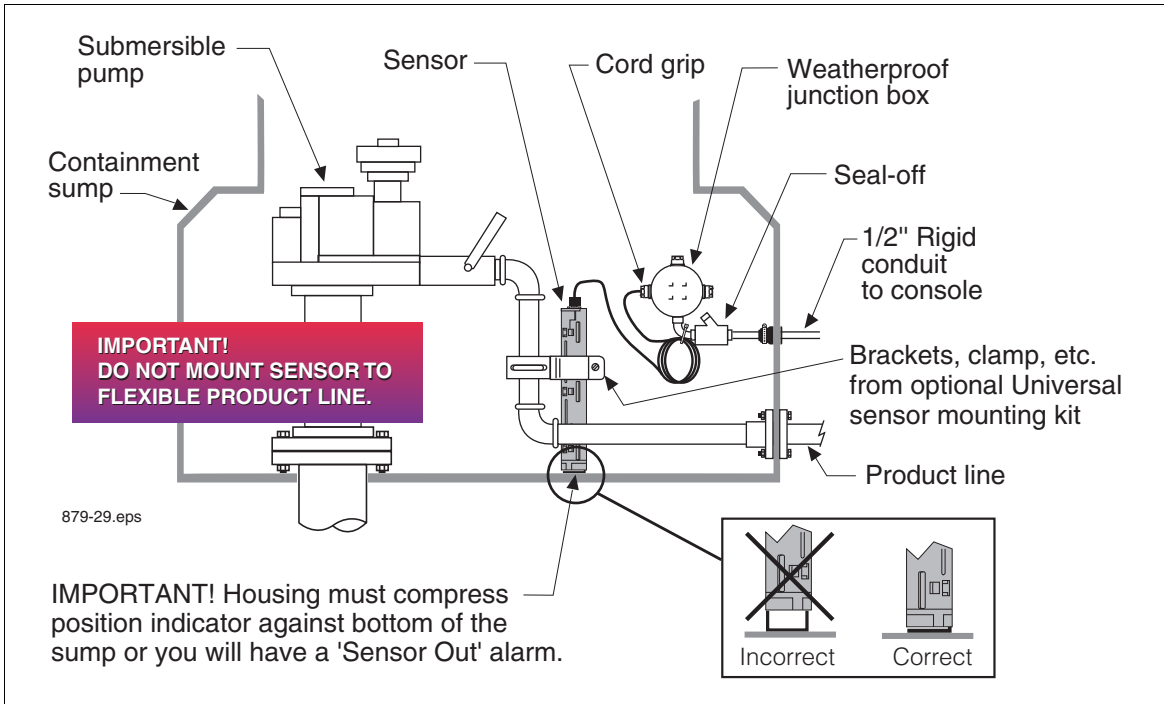


Figure 30. Example Position-Sensitive Sensor Installation

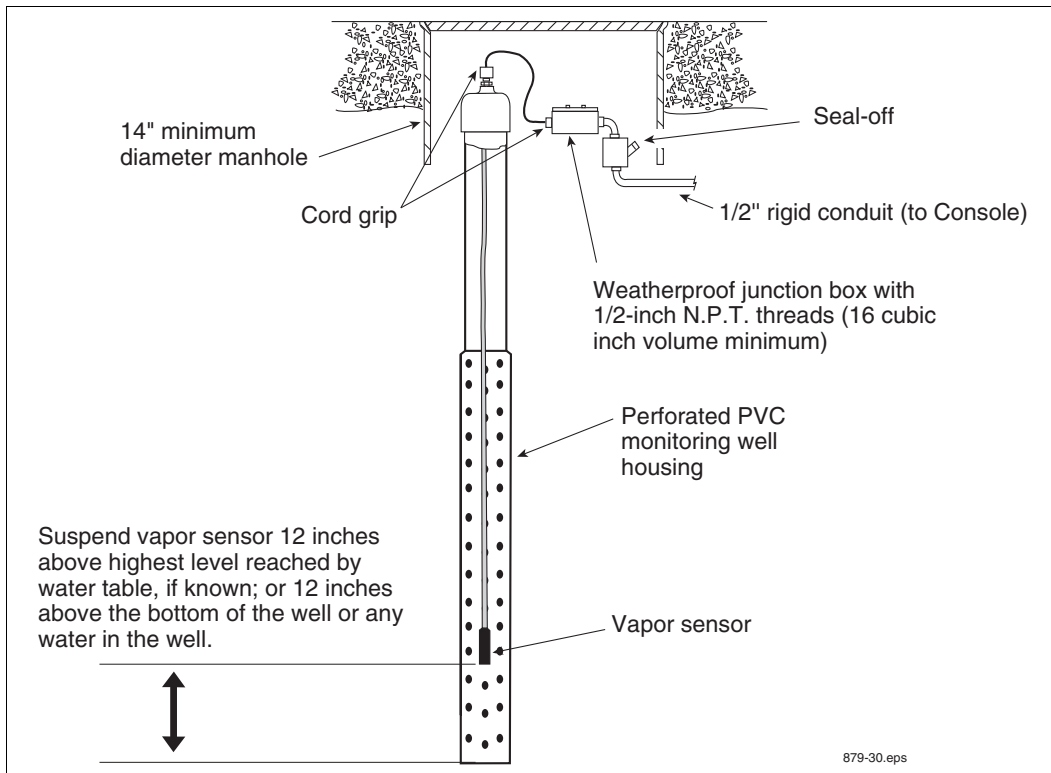


Figure 31. Example Vapor Sensor Installation

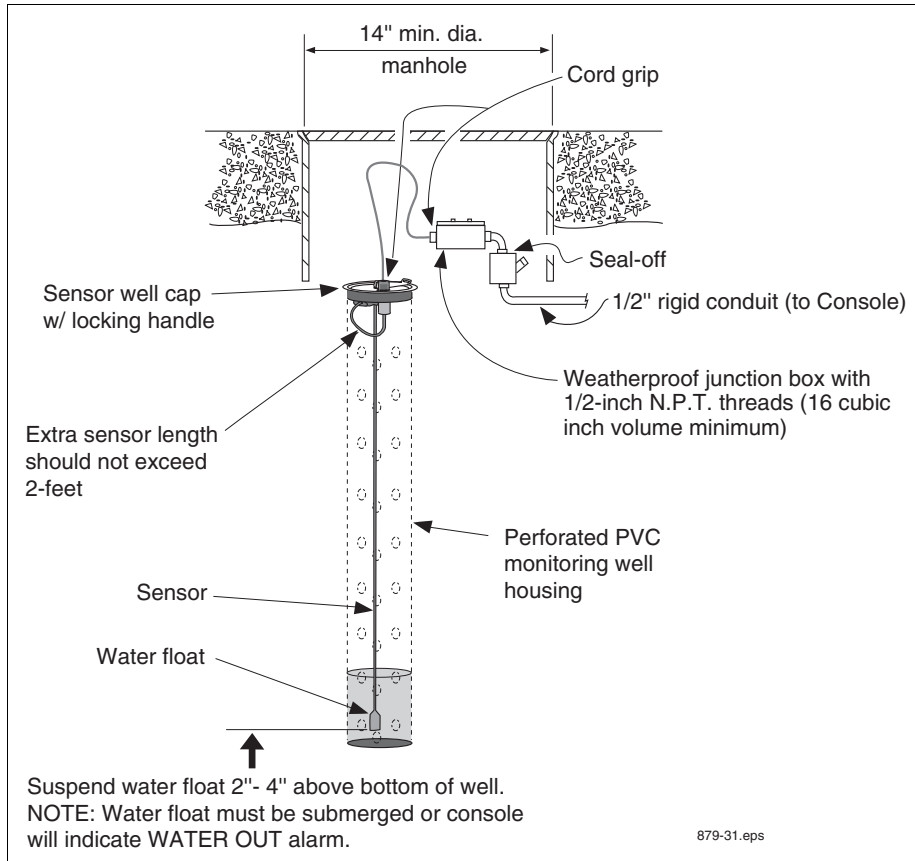


Figure 32. Example Groundwater Sensor Installation

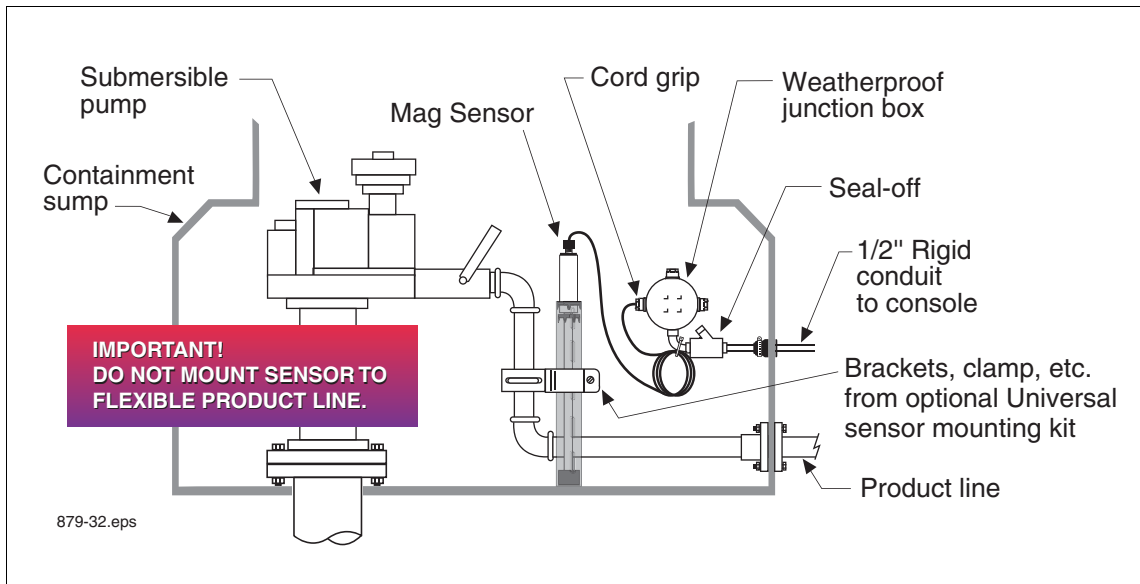


Figure 33. Example Mag Sensor Installation

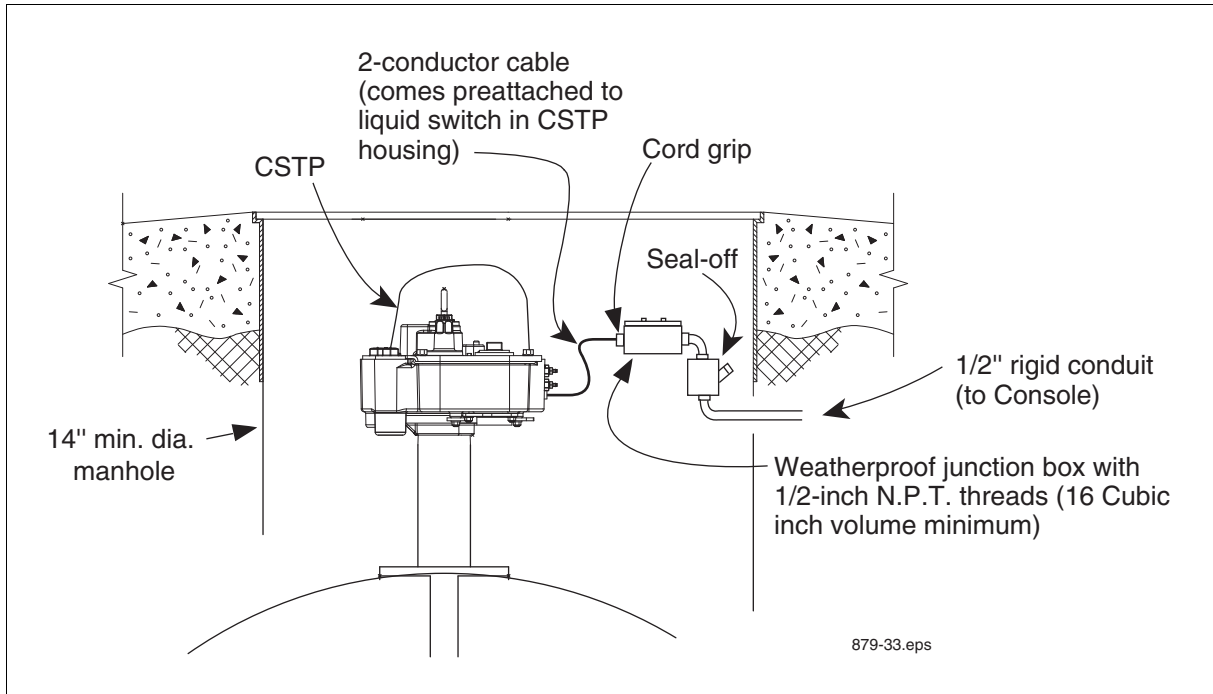
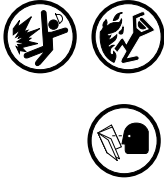


Figure 34. CSTP Liquid Sensor Wiring Installation

Probe and Sensor Conduit Installation

⚠ WARNING



Probes and sensors operate in areas where flammable liquids and explosive vapors may be present.

Improper installation may result in fire or explosion causing serious injury or death.

Practice the following:

1. Read thoroughly and follow the instructions shipped with each probe and sensor.
2. Probe and sensor wiring conduit must not contain any other wires.
3. Probe and sensor wiring and conduits must enter the console only through their designated areas.
4. Power and communication wires must not enter the intrinsically safe compartment of the console.

Wiring Run Methods

Two wiring run methods are commonly used for probes and sensors - Wiring pulled through buried, sealed 1/2" conduit; or direct burial cable. NOTE: PVC conduit is an acceptable alternate where accepted by local codes [ref. "National Electrical Code Compliance" on page 3 for more detail on cable requirements].

BURIED RIGID CONDUIT

The preferred method, especially in new sites before driveway surfaces are paved, is to pull probe and sensor wiring through buried 1/2" rigid conduit [Figure 35].

Pull two or three conductors shielded cable (as required). Individual wires should be color-coded between the console and the junction box at each probe and sensor location (do not gang wires together, i.e., splicing all sump sensor + wires together to run one wire back to console). Use single lengths of wire with no splices to ensure optimum signal strength.

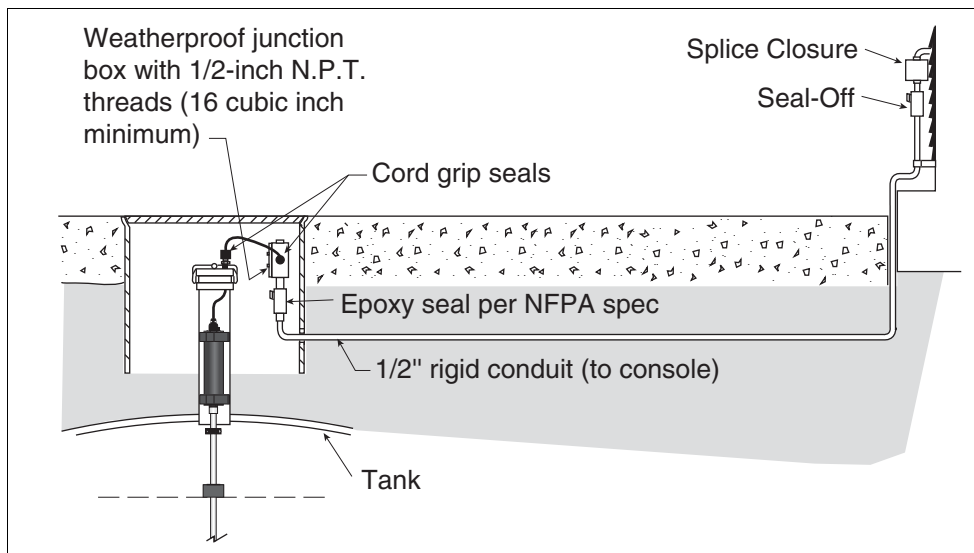


Figure 35. Example Probe Wiring Run In Buried Rigid Conduit

CAUTION: Since wires for multiple sensors may enter the console through a single conduit, it is recommended that you use a different color-code for each wire or individually mark each wire to identify sensor inputs. Also, if the intrinsically safe wires enter the building in a wiring trough, only Veeder-Root intrinsically safe wire can be in the trough. Keep all low power (intrinsically safe) wiring isolated from high power wires in all wiring troughs.

DIRECT BURIAL CABLE

An alternative to trenching through existing pavement is to use direct burial cable. Before considering the direct burial method, check to be sure that direct burial practices are acceptable at this location. The direct burial method requires grinding using an abrasive wheel, a 1/4" to 3/8" wide by 1-1/4" deep groove (adding 1/4" of depth for each additional cable) in the pavement surface, laying Veeder-Root supplied direct burial cable down in the bottom of the groove, laying an expanded polyethylene foam backer rod over the cable(s), and then a placing a 1/4" to 1/2" bead of silicone sealant over the backer rod to within a minimum of 3/8" below the pavement surface [see Figure 36].

If you decide upon the direct burial method, consult the direct burial cable installation manual for detailed installation instructions (reference manual 576013-858).

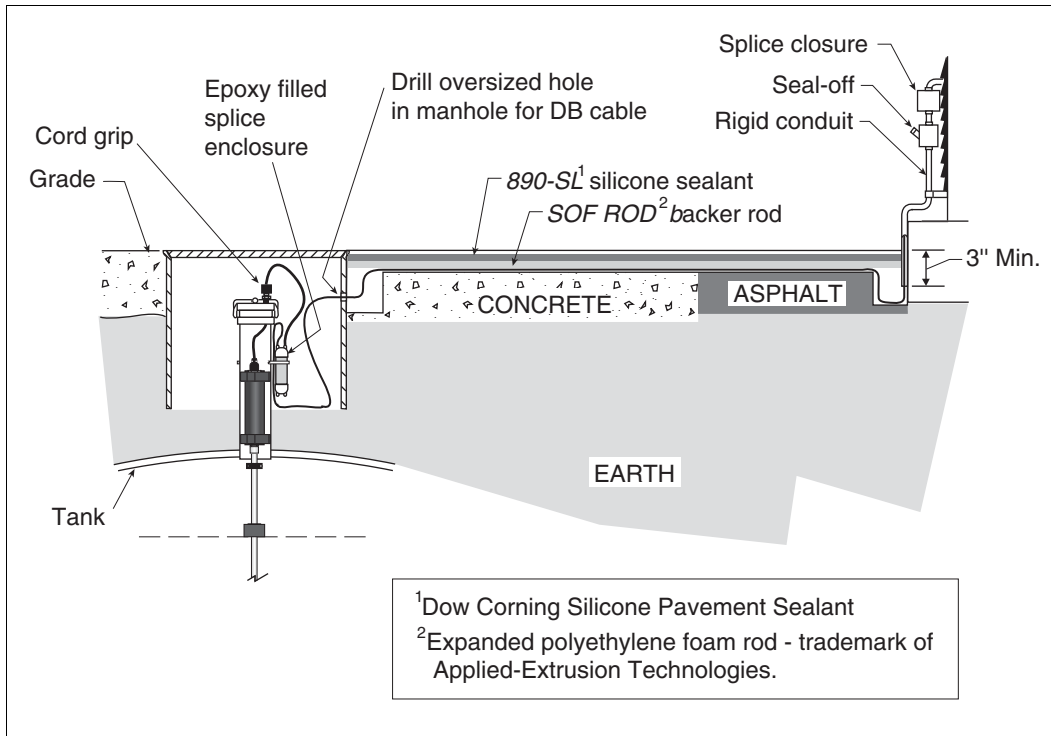
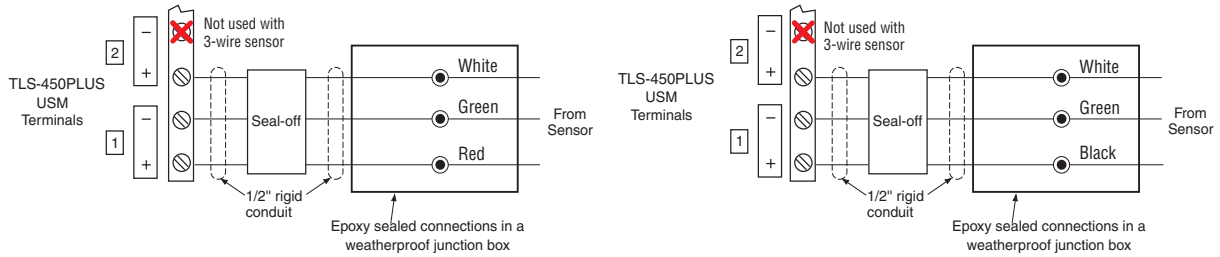


Figure 36. Example Probe Wiring Run Via Direct Burial Cable

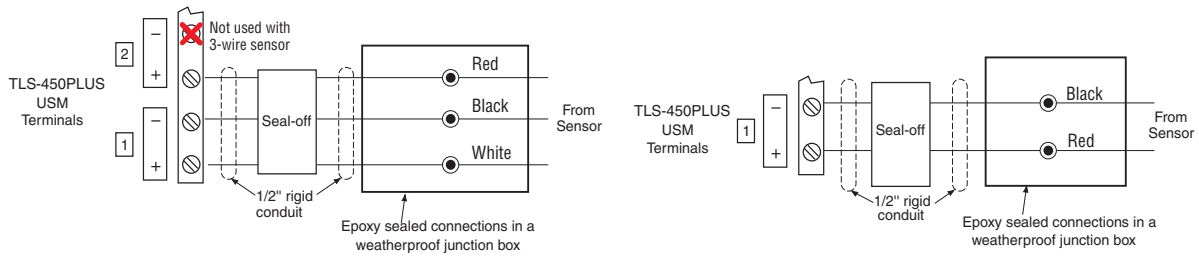
Probe and Sensor Field Wiring

Figure 37 contains diagrams for connecting, at the field junction box, cables from the probe and sensor to cables from the console. Check diagrams closely for polarity requirements.



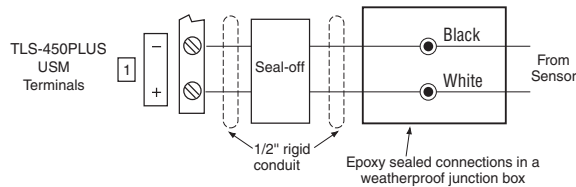
Groundwater Sensor

Vapor Sensor



**4SITE Solid-State Discriminating Containment Sump Sensor
4SITE Solid-State Discriminating Dispenser Pan Sensor**

**Position Sensitive Interstitial Sensor For Steel Tanks
Interstitial Sensor For Steel Tanks
CSTP Liquid Switch**



**Magnetostriuctive Probe
Position-Sensitive Sensor
Solid-State Containment Sump Sensor
Sump Sensor
Solid-State Dispenser Pan Sensor
Solid-State Discriminating Interstitial Liquid Sensor For Fiberglass Tanks
Discriminating Containment Sump Sensor
Hydrostatic Sensors For Fiberglass Tanks
Interstitial Sensor For Fiberglass Tanks
Microsensor**

Figure 37. Field Wiring Probes And Sensors Cables To Console Cables

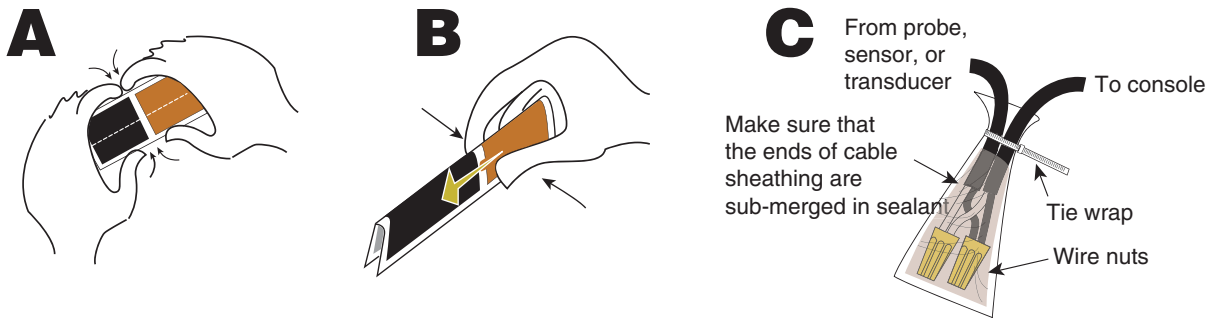
Sealing Field Connections

WIRING RUN THROUGH RIGID CONDUIT

1. Pull the wires from the probe or sensor into the junction box. Pull the two or three wires from the console through the seal-off box, the conduit attaching the junction box to the seal-off box and into the junction box.
2. Using wire nuts, connect the two or three wires from the probe or sensor to the two or three wires coming from the console. Be sure to observe color codes or tags when making these connections so that the sensor or probe outputs are attached to the correct terminals in the console and that polarity is maintained when required.
3. Seal wire nuts with epoxy sealant following the instructions in Figure 38.
4. Do NOT terminate shield or drain wire in the field junction box. Ground shield and drain wires at console only.
5. Place the bag with the resin sealed wiring connections in the junction box. Replace and tighten the junction box cover.

DIRECT BURIAL CABLE

When using direct burial cable for probe- or sensor-to-console wiring runs, the sealing materials and procedure are completely different. Refer to the Direct Burial Cable Installation Manual 576013-858.




Instructions:

NOTE: When temperature is below 50°F (10°C), keep resin in a warm place prior to mixing (e.g., in an inside pocket next to body).

1. Open epoxy sealant package, and remove resin pak.
2. Holding resin pak as shown in A, bend pak along long length.
3. As shown in B, firmly squeeze the RED SIDE of the resin, forcing it through the center seal and into BLACK SIDE.

4. Mix thoroughly to a uniform color by squeezing contents back and forth 25-30 times.
5. Squeeze mixed, warm resin into one end of bag and cutoff other end.
6. Slowly insert wiring connections into sealing pack until they fit snugly against the opposite end as shown in C.
7. Twist open end of bag and use tie wrap to close it off and position the tie wrapped end up until the resin jells.

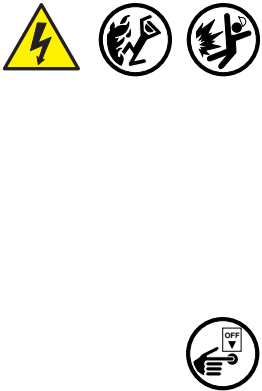


CAUTION: Epoxy sealant is irritating to eyes, respiratory system, and skin. Can cause allergic skin reaction. Contains: epoxy resin and Cycloaliphatic epoxy-carboxylate.

Precautions: Wear suitable protective clothing, gloves, eye, and face protection. Use only in well ventilated areas. Wash thoroughly before eating, drinking, or smoking.

879-38.eps

Figure 38. Epoxy Sealing Probe And Sensor Field Connections

⚠ WARNING	
	<p>FAILURE TO COMPLY WITH THE FOLLOWING WARNINGS AND SAFETY PRECAUTIONS COULD CAUSE DAMAGE TO PROPERTY, ENVIRONMENT, RESULTING IN SERIOUS INJURY OR DEATH.</p> <p>The equipment is used in location where lethal voltages and explosive vapors or flammable fuels may be present.</p> <p>Care must be taken when installing, servicing or replacing parts in the system or serious injury or death from explosion, fire or shock may occur.</p> <p>For this system:</p> <ol style="list-style-type: none"> 1. Comply with the latest National Electric Code, federal, state, and local codes, and any other applicable safety codes. In addition, take necessary precautions during installation, service, and repair to prevent personal injury, property loss and equipment damage. 2. Refer servicing to trained and qualified personnel only. 3. Substitution of components may impair intrinsic safety. 4. Be sure AC power is “OFF” before opening the console panel doors and connecting device wiring. Do not short any voltage across any barrier terminal including sensors or probes.

Probe and Sensor Wiring Precautions



IMPORTANT - You must read and understand this information prior to wiring devices to console.



WARNING! During programming, the devices wired to each connector are identified and stored in system memory. If a device is later removed and reconnected to a different set of connectors, the system will not properly recognize the data being received. Once a device has been wired to certain connectors on a USM or I/O Module and the system has been programmed, the wires from that device may not be relocated to other connectors without reprogramming that device.

Connecting Wiring to Console Modules



Warning! only intrinsically-safe wiring can enter a USM module slot’s knockouts.

Refer to the appropriate Control Drawing on page 2, to identify modules installed in your console and the designated devices that can be connected to them.

Try not to have too much wire in your console. Pull unneeded wire back into your wiring trough and loop it neatly.

1. Open both front doors of the console (see Figure 39).
2. For sensors and probes, make sure that you terminate the ground shields to the ground lug on the module. As you already know, the other end at the probe or sensor is NOT grounded.
3. Write in the device name for each wire connection on the connector block in the module’s wiring label attached to the inside of the door.
4. Make sure that you loop the wire neatly under the lip of the module. This will keep your wires from interfering with the door when it closes.

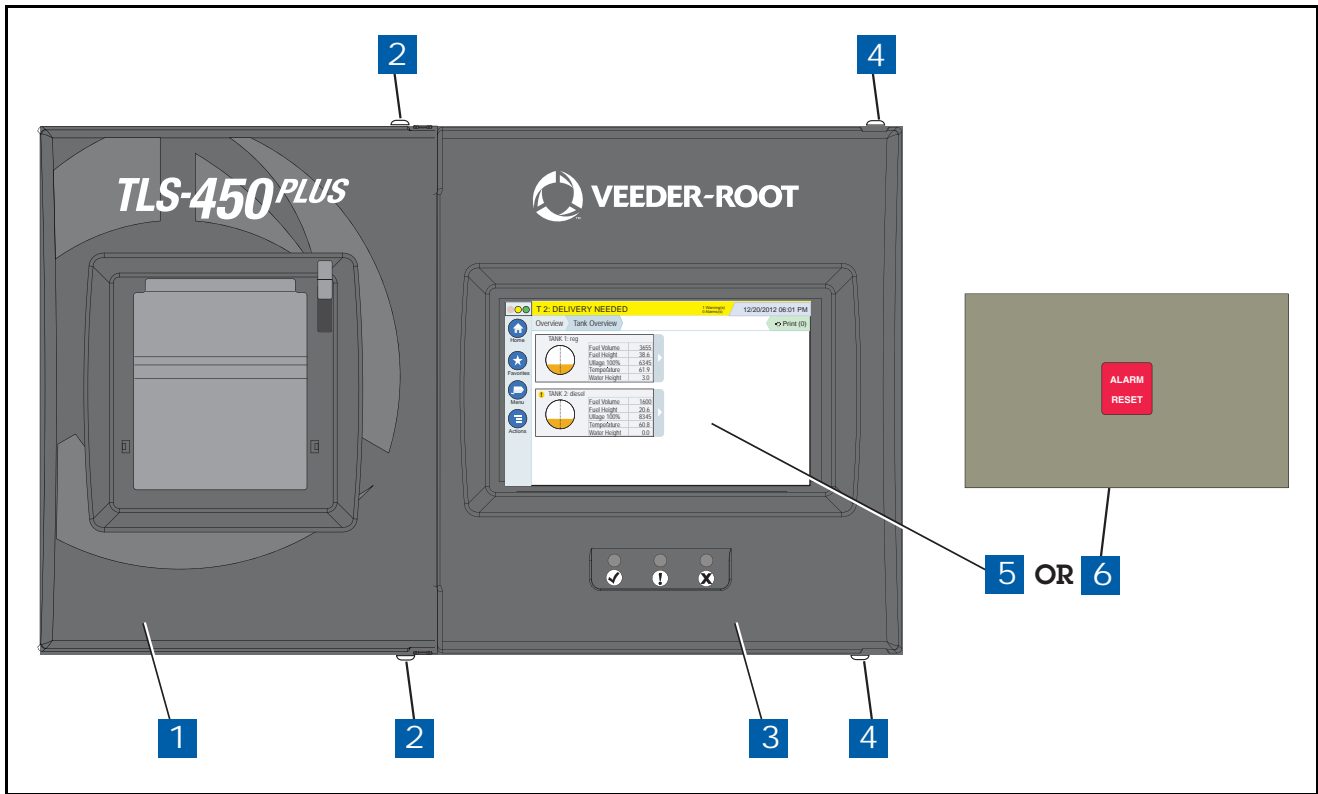


Figure 39. Front Doors

Legend for numbered boxes in Figure 39

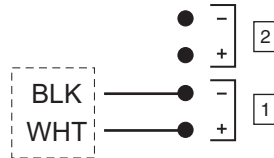
- | | |
|--|---|
| 1. Left door (showing optional printer) | 4. Using a T-15 Torx driver, remove the top and bottom screws securing right door and swing door to left. |
| 2. Using a T-15 Torx driver, remove the top and bottom screws securing left door and swing door to left. | 5. Optional Display |
| 3. Right door | 6. Acknowledge Switch Panel |

- Refer to the figures below for USM, I/O, MDIM and LVDIM module wiring connection examples:
 - Figure 40 - USM module Intrinsically-safe wiring connections
 - Figure 41 - I/O module wiring connections
 - Figure 42 - MDIM module wiring connections
 - Figure 43 - LVDIM module wiring connections
- Connect applicable interface cable(s) to the CDIM and EDIM (RS-232) modules as defined in the POS Application Guide 577013-401.



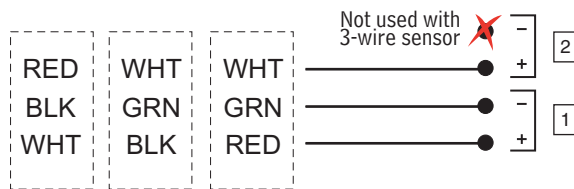
Observe polarity!

2 WIRE DEVICES



Probes, Sensors, PLLD Transducers

3 WIRE SENSORS

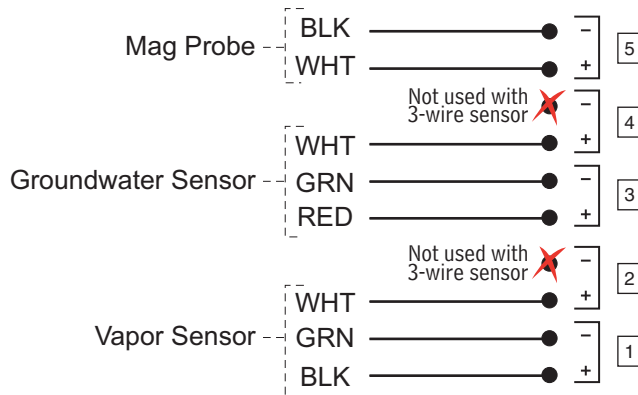


Groundwater Sensor

Vapor Sensor

4Site Solid-State Discriminating Containment Sump Sensor
4Site Solid-State Containment Sump Sensor

EXAMPLE CONNECTION - 2 AND 3 WIRE SENSORS TO ADJACENT USM TERMINALS



879-40.eps

Figure 40. Connecting 2 And 3 Wire Intrinsically-safe Devices To USM Module

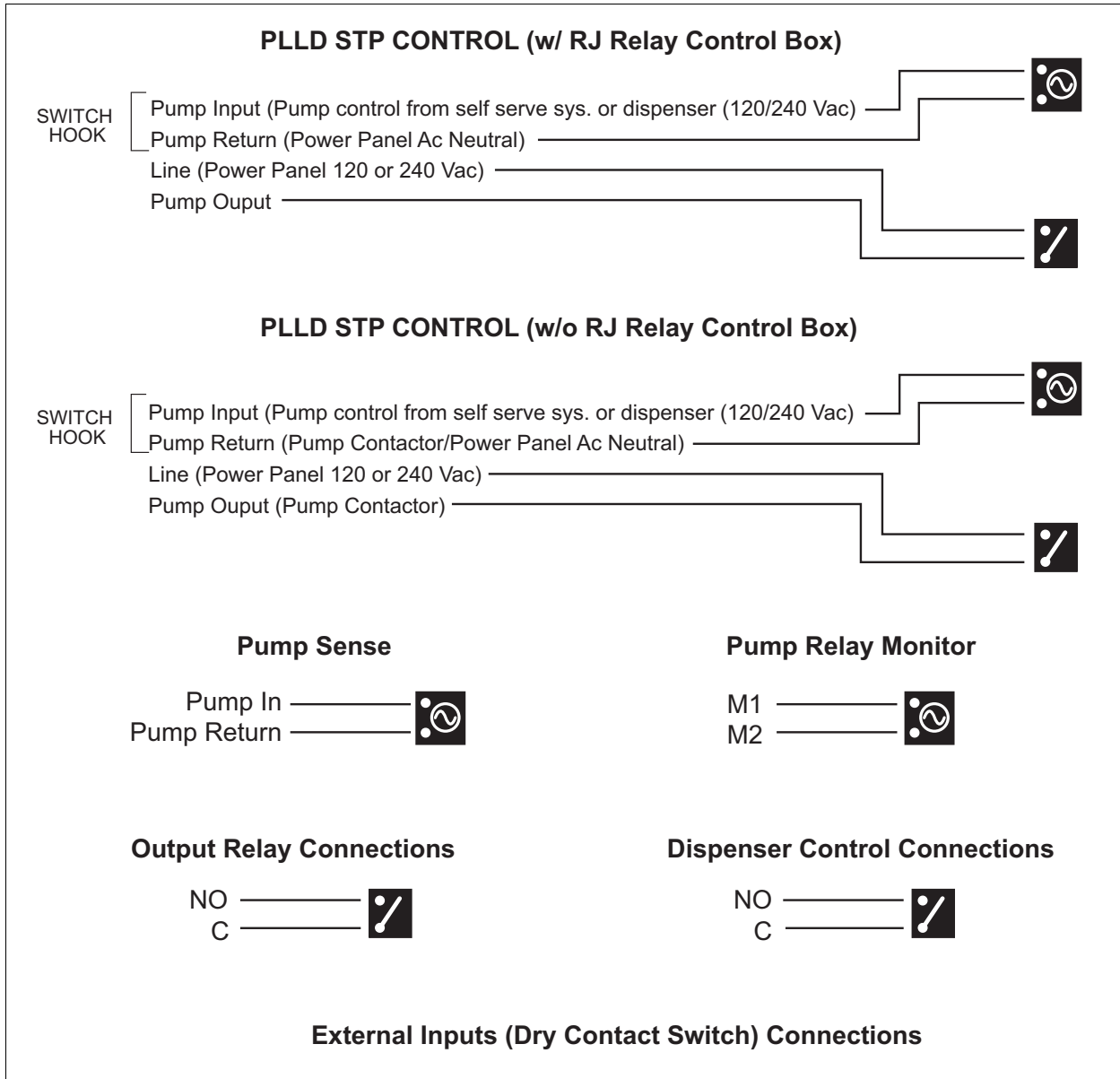
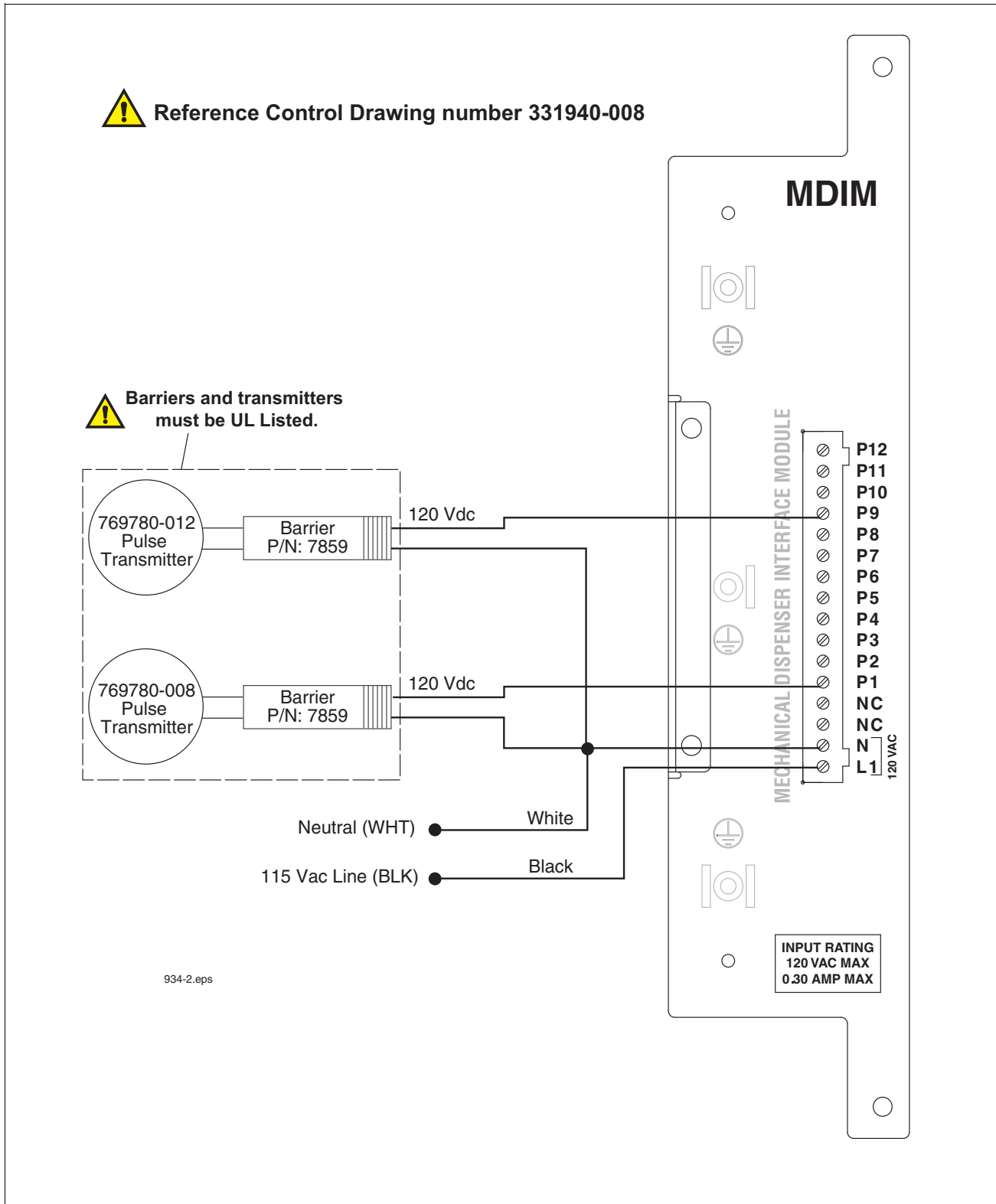


Figure 41. I/O Relay Module Connections

Important Output Relay Connection Restrictions

1. Do not connect output relays to a device that draws more than 5 amperes of current. Output power: output relay contact, resistive load - 120/240 Vac, 24 Vdc, 5 A max.
2. Alarm relays cannot be used for flow control. Alarm relays provide only a momentary closure and cannot actuate flow control devices such as valves and pump motor relays.



934-2.eps

Figure 42. Connecting devices to the MDIM module

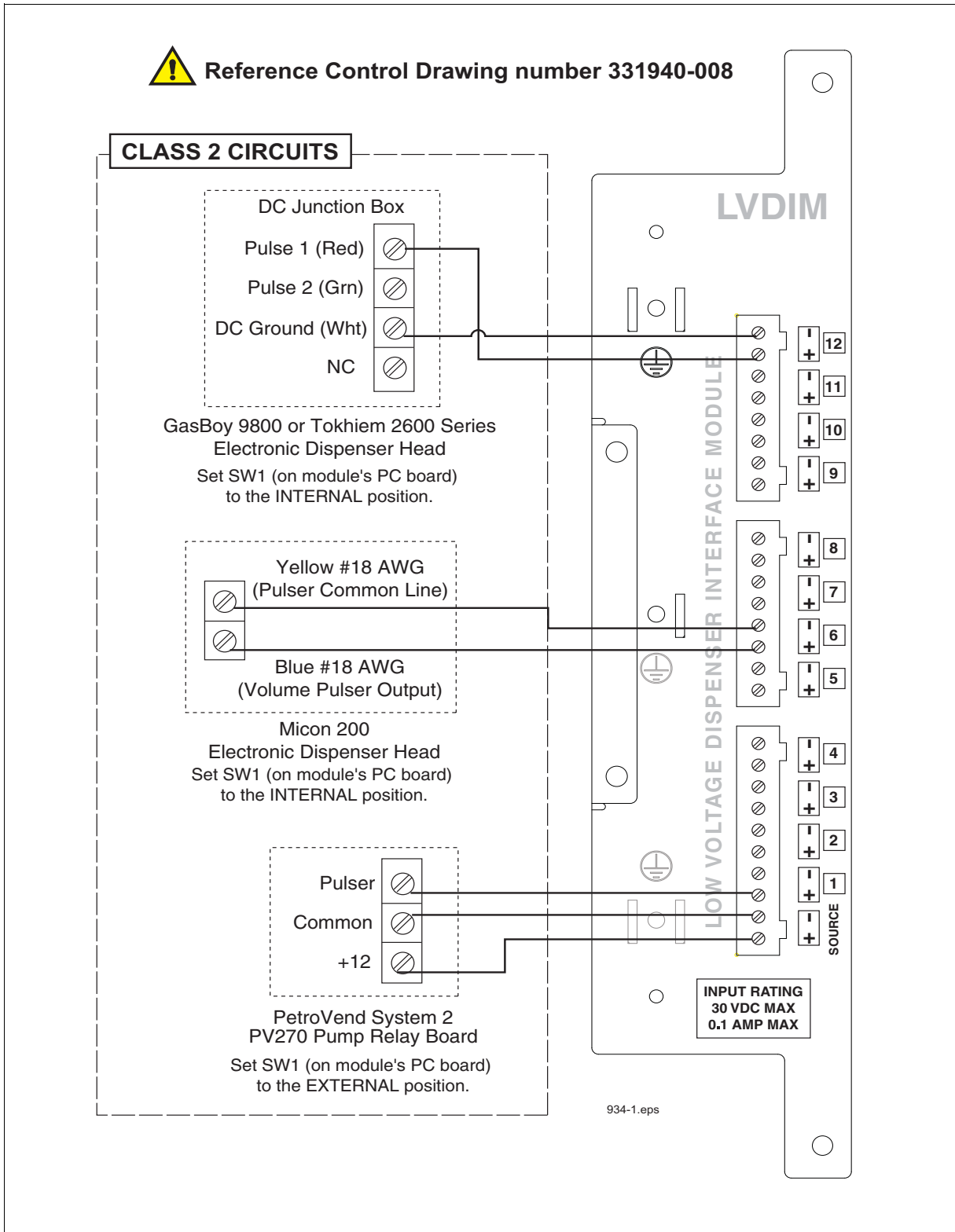



Figure 43. Connecting devices To The LVDIM Module

Connecting Power to the Console

When the TLS-450PLUS console is used with a TLS RF Wireless 2 System (W2), the TLS-450PLUS must be on a separate circuit breaker from the TLS RF console(s).

After all connections have been made to the console, connect the wires carrying ac power to the console at the breaker panel - Check the Input Power Rating on the label affixed to the underside of the console to verify input power requirements.

⚠ WARNING	
	<p>This console contains high voltages which can be lethal. It is also connected to low power devices that must be kept intrinsically safe.</p> <ol style="list-style-type: none">1. Do not connect the console AC power supply wires at the breaker until all devices are installed.2. Attach conduit from the power panel to the console's Power Area knockouts only. <p>Connecting power wires to a live circuit can cause electrical shock that may result in serious injury or death.</p> <p>Routing conduit for power wires into the intrinsically safe compartment can result in fire or explosion resulting in serious injury or death.</p>

3. Pull three #14 AWG or larger color-coded wires for AC line (hot), AC neutral and chassis ground between the power panel and the console.
4. Pull one wire, with a minimum 90°C rating, for barrier ground - For UL/cUL installations use a # 12 AWG wire, and for ATEX/IECEX installations use a 4 mm² wire.
5. Connect the input 120 or 240 Vac power wires as shown in Figure 44.

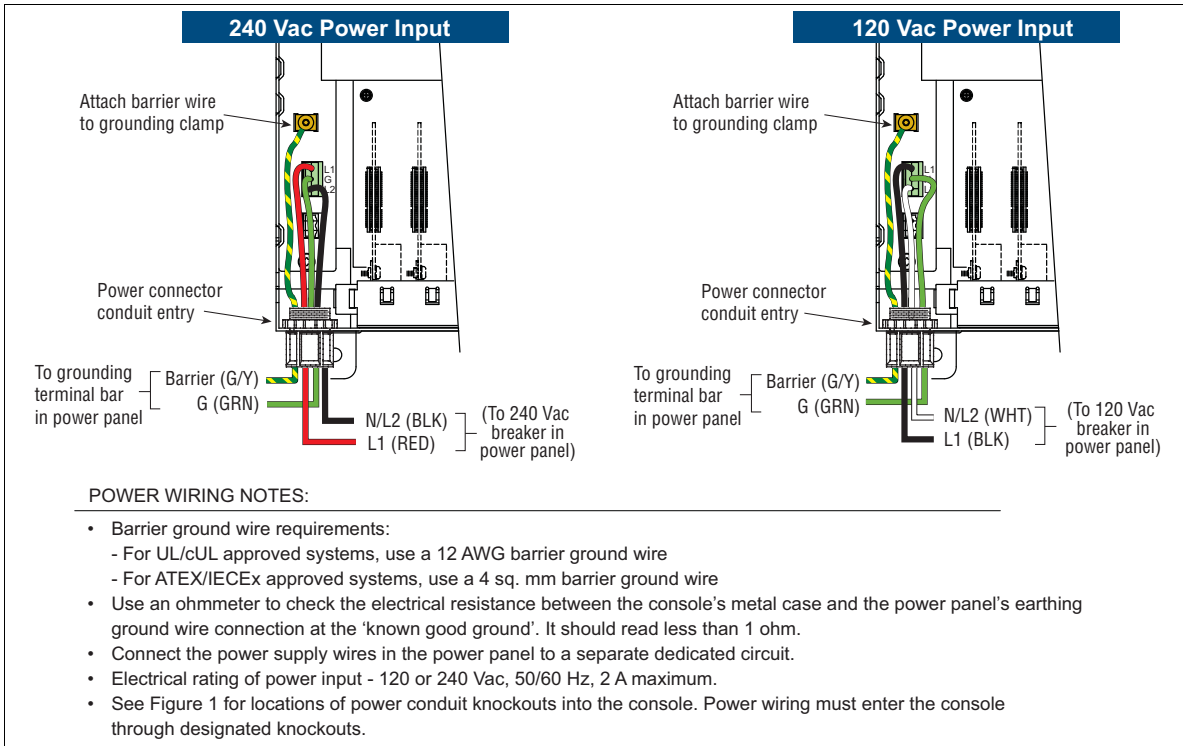


Figure 44. Wiring AC Power To The TLS-450PLUS Console

Initial Startup Procedure

FOR SITES WITHOUT WIRELESS 2 DEVICES

1. Power up the TLS-450PLUS and wait 5 minutes until the console's 'Discover Mode' is complete.
2. Setup the TLS-450PLUS.

FOR SITES WITH WIRELESS 2 DEVICES

1. Power up all wireless devices.
2. Power up the TLS RF console and wait about 5 minutes, before applying power to the TLS-450PLUS.
3. Power up the TLS-450PLUS and wait 5 minutes until the console's 'Discover Mode' is complete.
4. Setup the TLS-450PLUS.

Appendix A: Universal Sensor Mounting Kit

Introduction

This addendum describes installation procedures for the Universal Mounting Kit for Dispenser Pan and Containment Sump Sensors, Part Number 331144-001.

Since you can use the Universal Mounting Kit in a variety of ways, only the most commonly used mounting methods are described.

Product Description

The Universal Mounting Kit is compatible with most manufacturer's dispenser pans and containment sumps and provides added flexibility when mounting the sensors.

KIT CONTENTS

The Universal Mounting Kit, Part No. 331144-001 consists of:

Quantity	Description
2	Extension brackets (see Item 1, Figure B-1)
1	L-bracket (see Item 2, Figure B-1)
1	3/4-inch U-bolt (see Item 3, Figure B-1)
1	1-inch U-bolt (see Item 3, Figure B-1)
1	2-inch U-bolt (see Item 3, Figure B-1)
1	3/8-inch spring nut (see Item 4, Figure B-1)
1	3/8-16 X 7/8-inch bolt (see Item 4, Figure B-1)
4	1/4-20 nut
3	1/4-20 x 3/4-inch bolt
4	1/4 flat washer
1	1/4-20 x 1-1/2 inch machine screw (See Item 5, Figure B-1)
1	2-inch sensor clamp (See Item 5, Figure B-1)
1	1/4 X 1-inch spacer (See Item 5, Figure B-1)

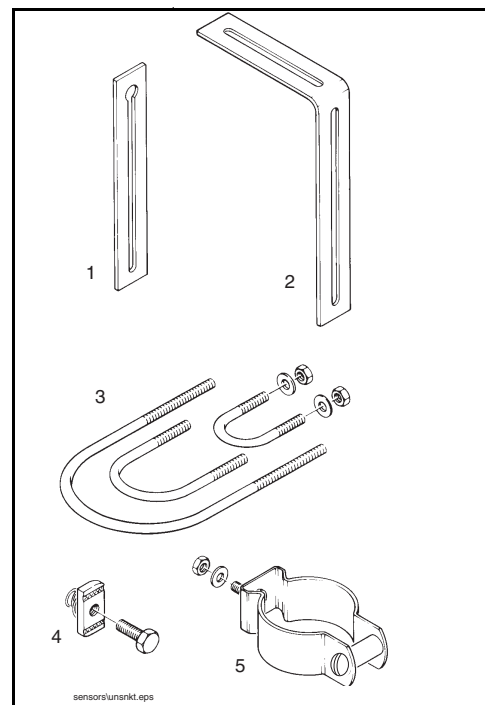


Figure A-1. Universal Mounting Kit Contents

Mounting Sensors

Depending on the type of pan you are using, you can configure the Universal Mounting Kit in several different ways. Some of the more frequently used mounting methods are illustrated in the following figures using selected

components from the kit as required. The spacer for the 1-1/2 inch machine screw is only needed with a stabilizer tube to prevent excess clamping pressure on the sensor (see Figure B-2).

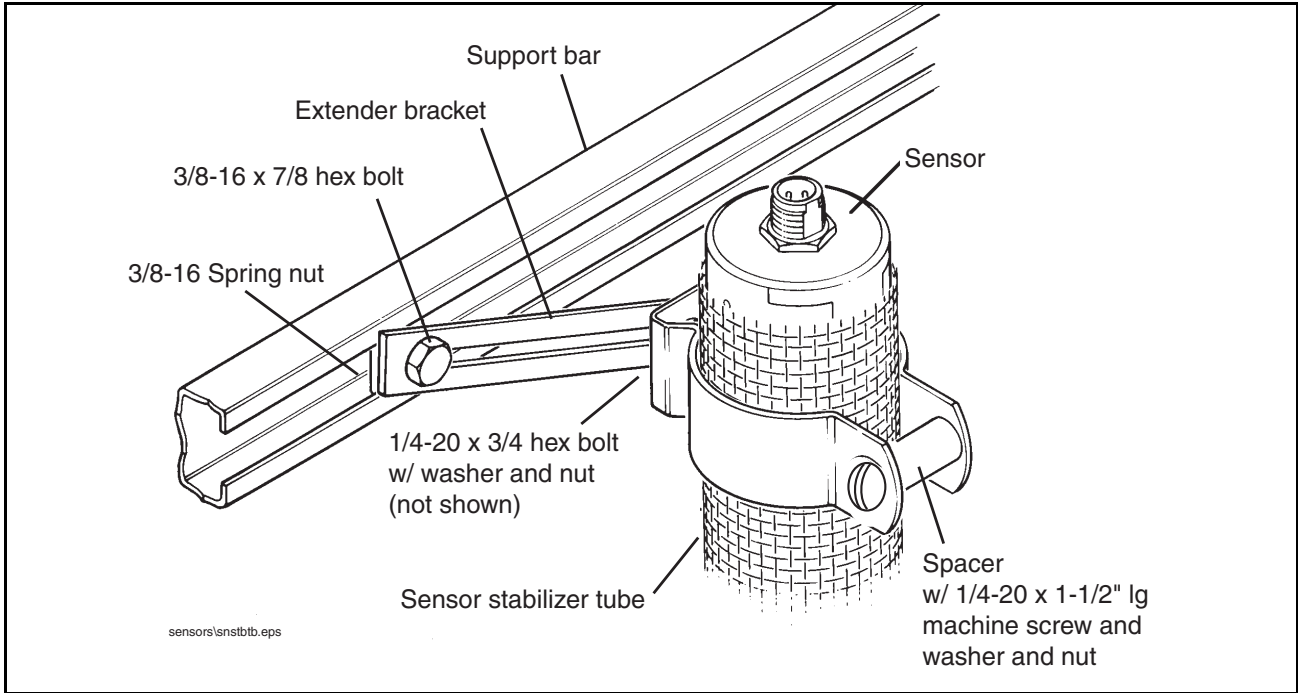


Figure A-2. Mounting The Sensor In A Stabilizer Tube To A Support Bar

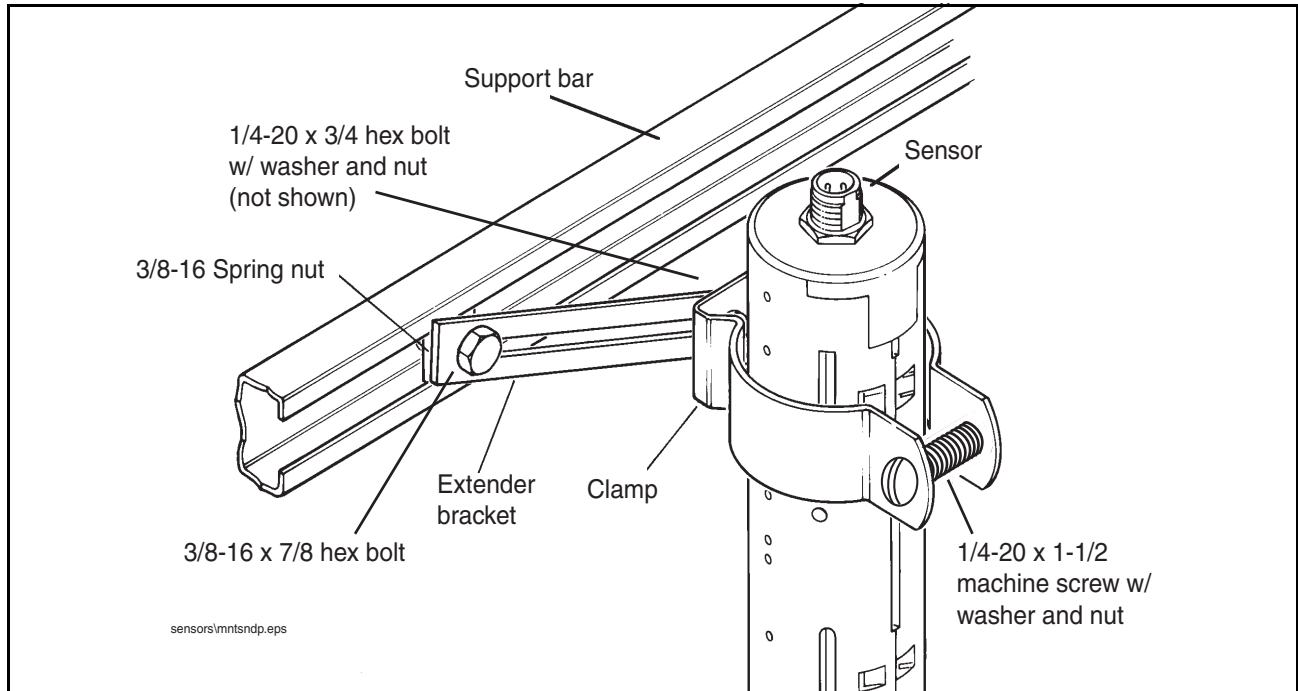


Figure A-3. Mounting The Sensor In The Dispenser Pan

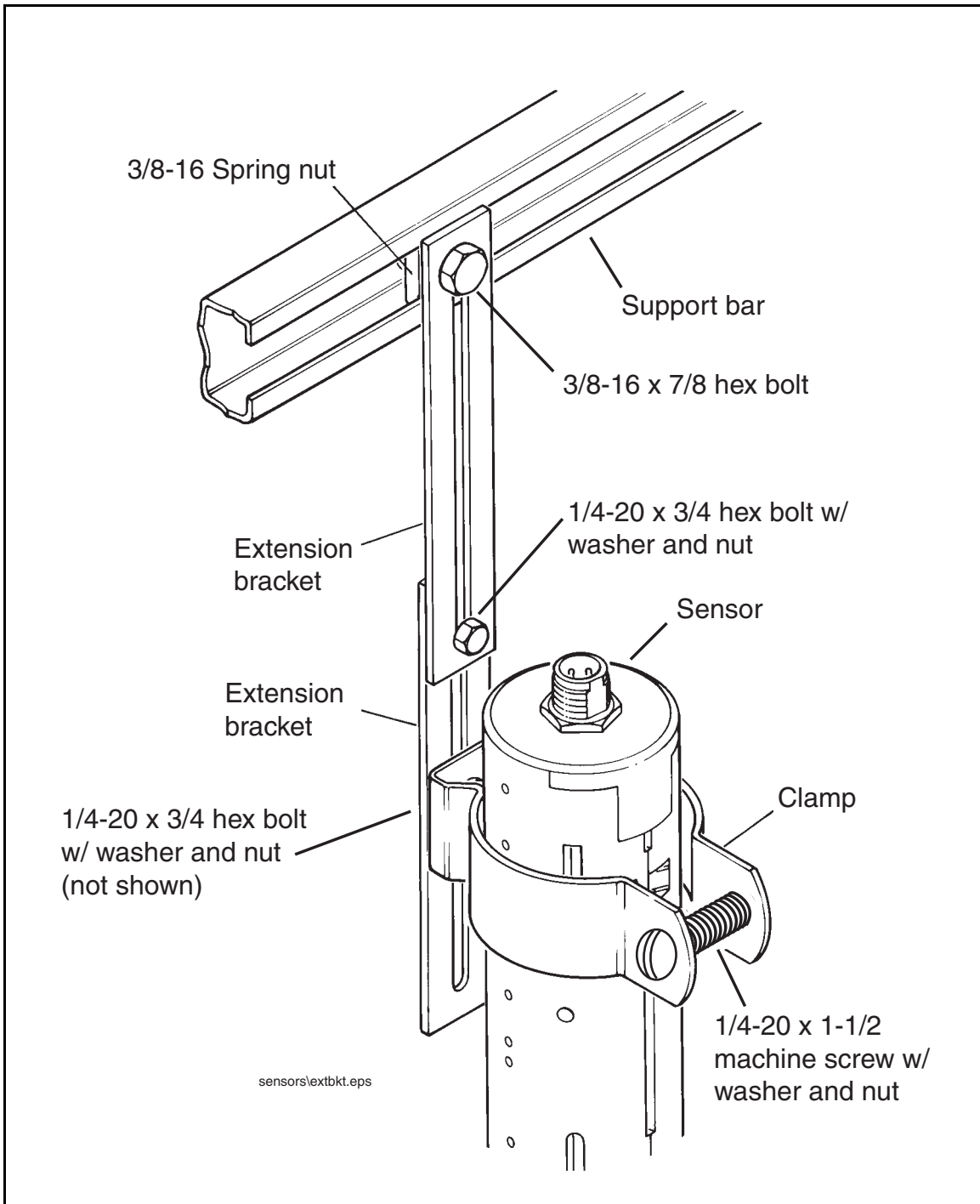


Figure A-4. Mounting The Sensor Using Two Extension Brackets

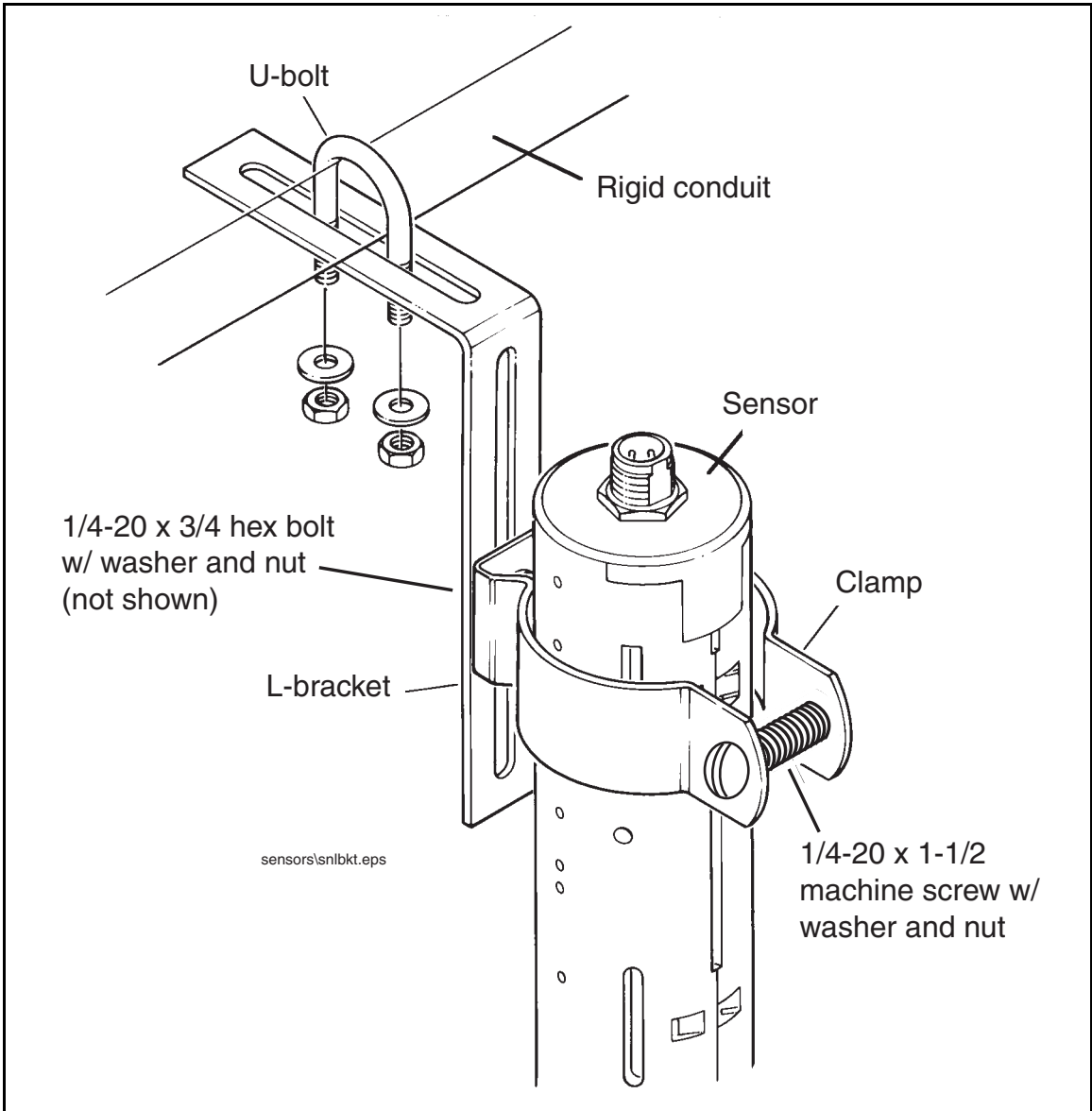


Figure A-5. Mounting The Sensor To Rigid Conduit

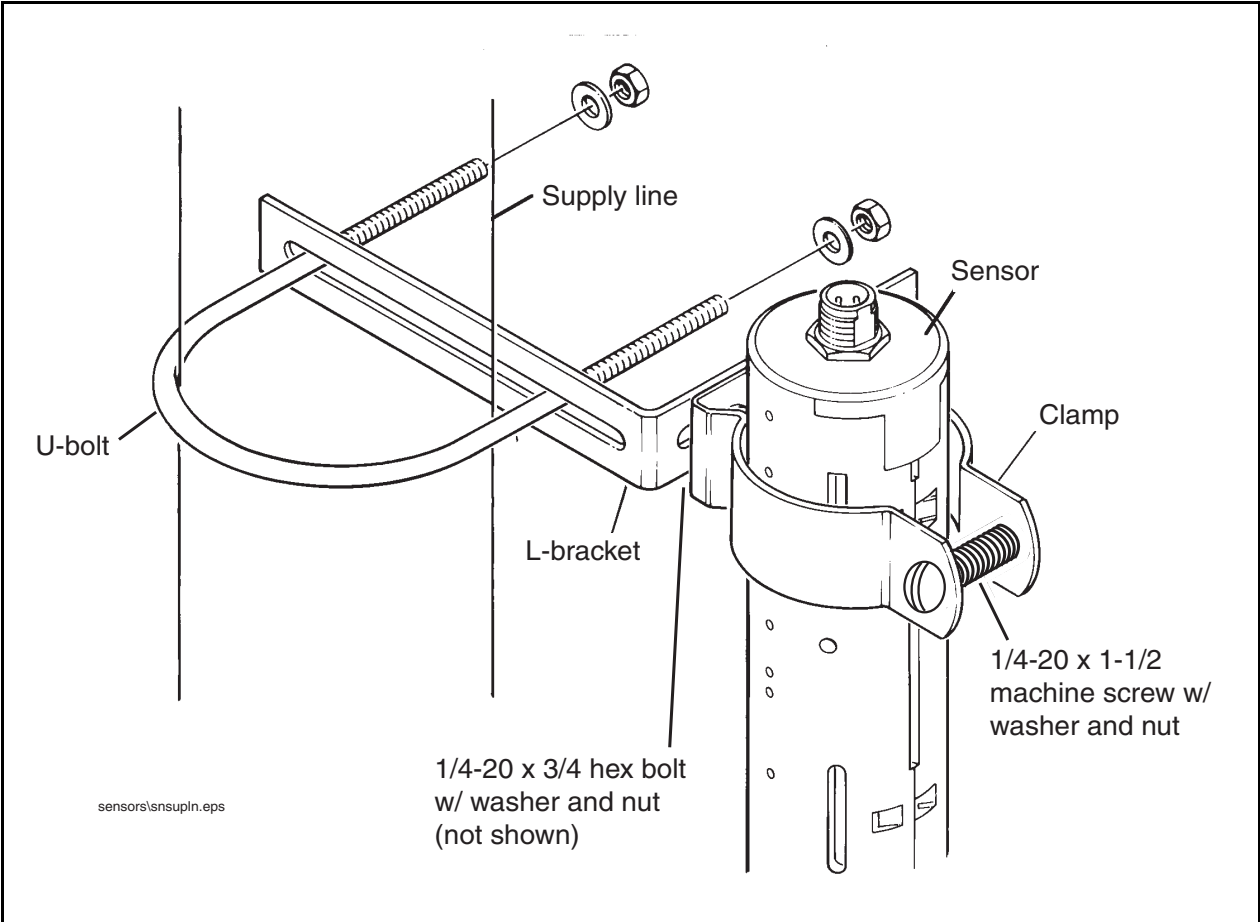


Figure A-6. Mounting The Sensor To A Supply Line

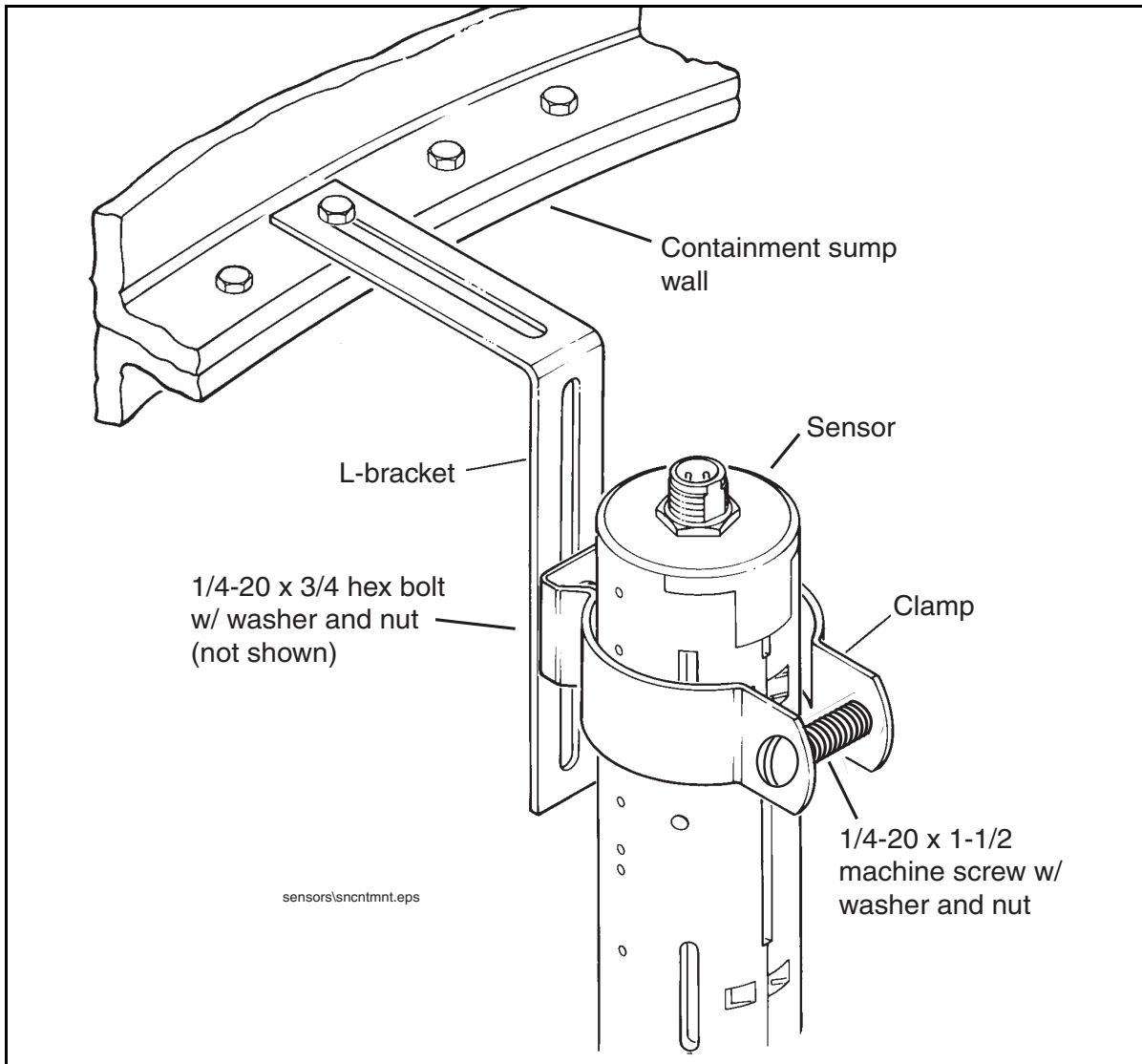



Figure A-7. Mounting The Sensor In A Containment Sump



For technical support, sales or
other assistance, please visit:
www.veeder.com

A blue rectangular box with a white globe icon at the top. Below the globe, the text "For technical support, sales or other assistance, please visit:" is followed by the website address "www.veeder.com".