



The Most Complete Line of UST/AST Products!

# MULTI-PURPOSE CHECK VALVES

## UNION CHECK VALVE

### Application -

Stops loss of prime caused by damaged foot valves, or angle check valves. Mounts in standard union fitting under pump.

### Part Numbers - 200A, 200AS



# UNIVERSAL Advantage

Only from Universal! –Total cast bronze body construction for long life. Not plastic like other manufacturers.

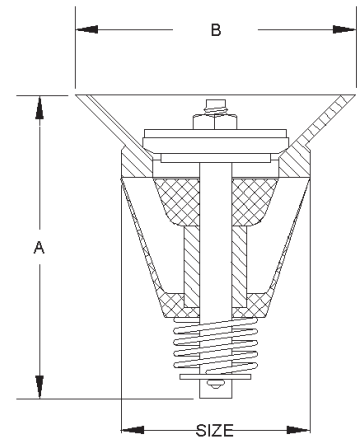
### Features -

- ✓ Easily inserted onto existing union fittings in a suction system
- ✓ Can be used until a damaged valve is repaired or replaced
- ✓ Available with screen to prevent contaminants from entering the pump

### Construction -

- Cast bronze body
- Buna-N or Viton seals
- Brass screen

Model	Size	Weight (lbs.)	A	B	Seal
200A-15	1-1/2"	0.3	2-3/8"	2-1/8"	Buna-N
200AV-15	1-1/2"	0.3	2-3/8"	2-1/8"	Viton
200AS-15	1-1/2"	0.3	2-3/8"	2-1/8"	Buna-N w/ screen



### Replacement Parts

Part Numbers	Description
200AS-15-J	Screen

Notice: Universal Valve Co., products must be used in compliance with applicable federal, state, and local laws and regulations. Product selection should be based on physical specifications and limitations and compatibility with the environment and material to be handled. Universal Valve Co., makes no warranty of fitness for a particular use. All illustrations and specifications in this literature are based on the latest production information available at the time of publication. Prices, materials, and specification are subject to change at any time, and models may be discontinued at any time, in either case, without notice or obligation.

### UNIVERSAL VALVE COMPANY

478 Schiller Street, Elizabeth, NJ 07206 • (800) 223-0741 • (908) 351-0606 • Fax: (908) 351-0369 • universalvalve.com

© 2017 Universal Valve Company, Inc.