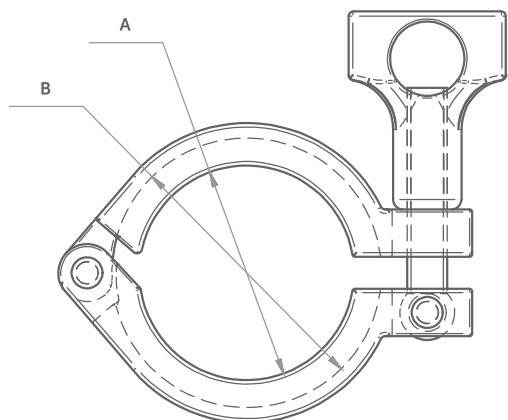


Clamp Fittings and Accessories Product Specification

Overview

- Heavy duty
- Supplied with 13MHH-14 wingnut



HEAVY DUTY SINGLE PIN CLAMP



Diameter		Product Code	Dim A		Dim B		Weight Per Unit		Standard Pack size
mm	inches		mm	inches	mm	inches	kg	lbs	
19.1	0.75	07H4SC	20.0	0.787	28.2	1.110	0.13	0.28	50
25.4-38.1	1.00-1.50	15H4SC	44.4	1.748	53.6	2.110	0.21	0.46	50
50.8	2.00	20H4SC	57.8	2.276	67.0	2.638	0.26	0.57	50
63.5	2.50	25H4SC	71.4	2.811	80.6	3.173	0.29	0.64	50
76.2	3.00	30H4SC	84.0	3.307	94.2	3.709	0.33	0.73	50
101.6	4.00	40H4SC	110.0	4.331	122.2	4.811	0.43	0.95	25
154.4	6.00	60H4SC	155.4	6.118	170.4	6.709	0.92	2.01	25