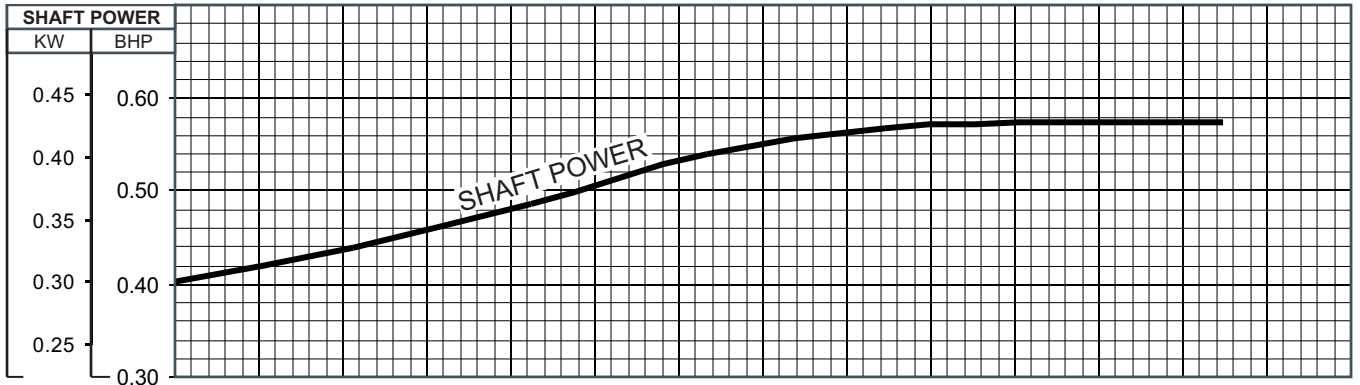
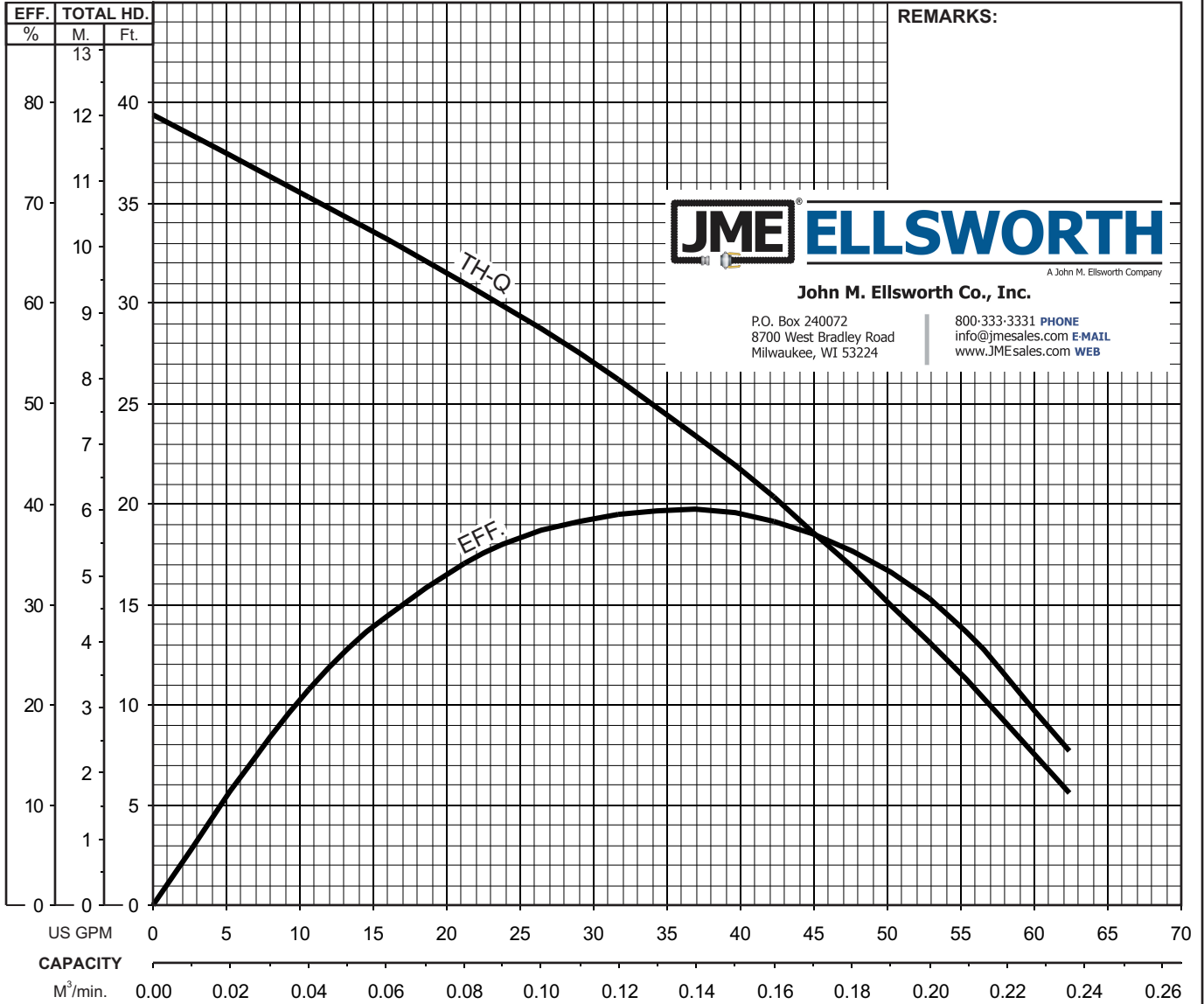




## LB - SERIES SEMI-VORTEX - DEWATERING PUMP

## PERFORMANCE CURVE

MODEL	BORE	HP	KW	RPM	SOLIDS DIA	LIQUID	SG.	VISCOSITY	TEMP.
LB(Z)-480(A)-62	2"/50mm	0.64	0.48	3255	0.236"/6mm	Water	1.0	1.123 cSt.	60°F
PUMP TYPE		PHASE	VOLTAGE	AMPERAGE		HZ	STARTING METHOD		INS. CLASS
Semi-Vortex - Dewatering Pump		Single	110/115/120, 230	6.1 / 5.9 / 5.7 , 3.0		60	Capacitor Start		E
CURVE No.	DATE	PHASE	VOLTAGE	AMPERAGE		HZ	STARTING METHOD		INS. CLASS
-	-	-	-	-		-	-		-

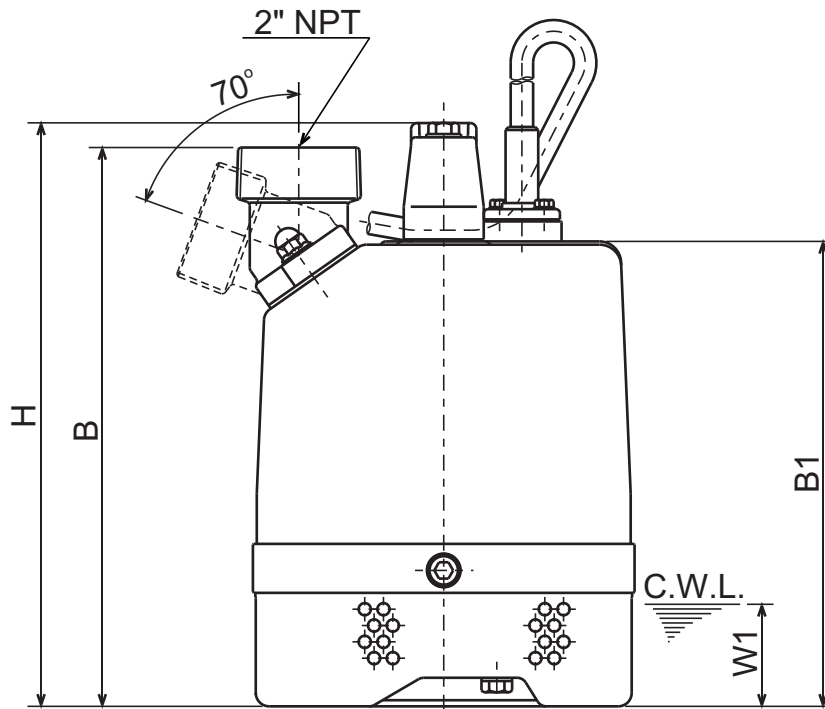
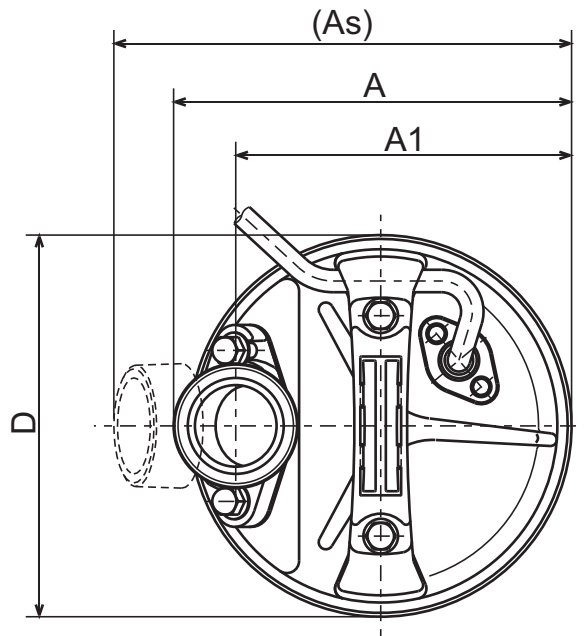




**LB - SERIES**  
**SEMI-VORTEX - DEWATERING PUMP**

**DIMENSIONS**

**LB-480-62**



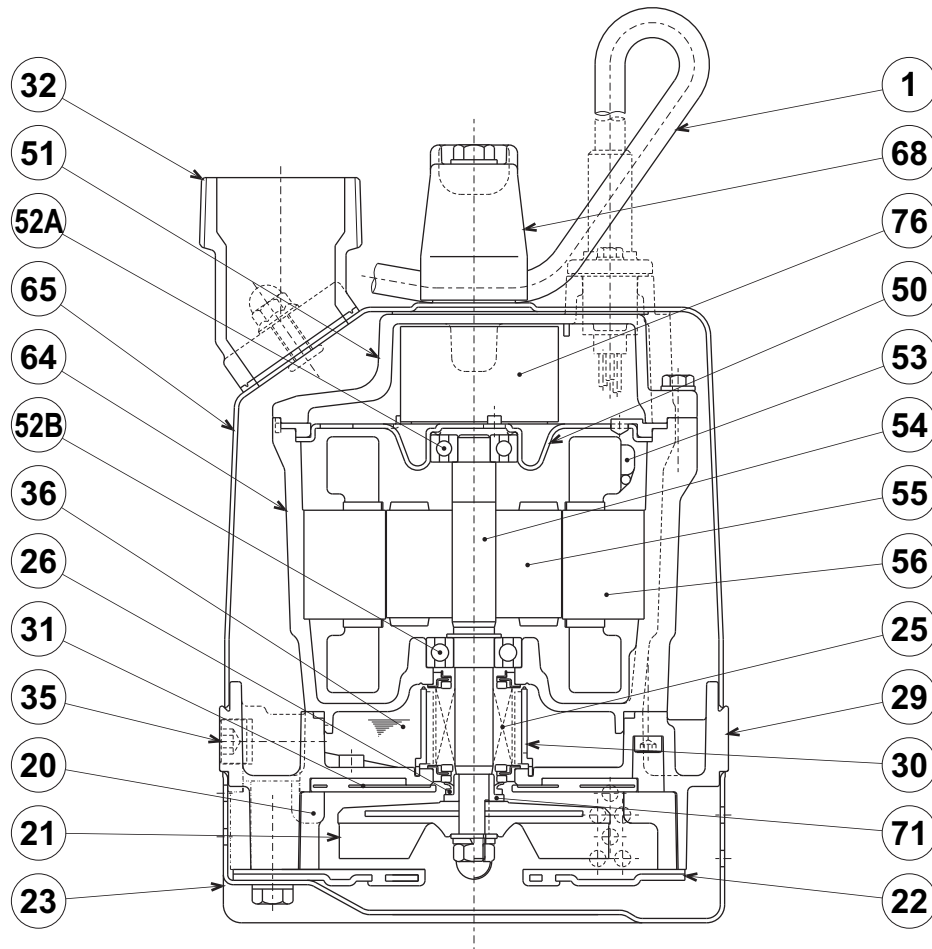
C.W.L. : Continuous running Water Level

**DIMENSIONS:USCS (Inch)**

Model	HP	NOM. SIZE	Pump & Motor							C.W.L. W1	Wt. (lbs.)
			A	As	A1	B	B1	D	H		
LB-480-62	2/3	2"	7 11/16	8 13/16	6 1/2	10 3/4	8 15/16	7 3/8	11 1/4	2	21

**DIMENSIONS:METRIC (mm)**

Model	kW	NOM. SIZE	Pump & Motor							C.W.L. W1	Wt. (kg)
			A	As	A1	B	B1	D	H		
LB-480-62	0.48	50	195	224	165	274	228	187	286	50	9.5

**LB-480-62**


ITEM#	DESCRIPTION	MAIN MATERIAL / NOTE	RELATED ASTM, AISI CODE	RELATED EN CODE	Q'TY
1	Power Cable	PVC Sheath AWG16/3-32ft			1
20	Pump Casing	Ethylene Propylene Rubber			1
21	Impeller	Urethane Rubber			1
22	Suction Cover	Urethane Rubber + Steel (Cold Rolled)	(A109/A1008)	(EN 10130)	1
23	Suction Strainer	Steel (Cold Rolled)	A109/A1008	EN 10130	1
25	Mechanical Seal	Silicon Carbide / W-14VL			1
26	V-Ring	Nitrile Butadiene Rubber			1
29	Oil Casing	Aluminum Alloy Die Casting	B85 383.0	EN 1706 AC-46100	1
30	Oil Lifter	PBT Resin			1
31	Wearing Plate	Urethane Rubber			1
32	Discharge Connection	Aluminum Alloy Die Casting / NPT 2"	B85 383.0	EN 1706 AC-46100	1
35	Oil Plug	Stainless Steel	S 30400	1.4301	1
36	Lubricant	Turbine Oil ISO VG32 or SAE10W-20			
50	Motor Bracket	Steel (Electro-Galvanized)	A591	EN 10152	1
51	Motor Head Cover	Aluminum Alloy Die Casting	B85 383.0	EN 1706 AC-46100	1
52A	Upper Bearing	#6201ZZC3			1
52B	Lower Bearing	#6202ZZC3			1
53	Motor Protector				1
54	Shaft	Stainless Steel	S 40300	1.4000	1
55	Rotor				1
56	Stator				1
64	Motor Housing	Aluminum Alloy Die Casting	B85 383.0	EN 1706 AC-46100	1
65	Outer Cover	Steel (Cold Rolled)	A109/A1008	EN 10130	1
68	Handle	ABS Resin			1
71	Shaft Sleeve	Stainless Steel	S 30400	1.4301	1
76	Capacitor				1


**TSURUMI PUMP**
**LB-480-62**  
**SEMI-VORTEX - DEWATERING PUMP**
**SAMPLE**  
**SPECIFICATIONS**
**1. SCOPE OF SUPPLY -**

Furnish and install TSURUMI Model LB-480-62 Submersible Pump(s).  
 Each unit shall be capable of delivering \_\_\_\_\_ GPM ( \_\_\_\_\_ m<sup>3</sup>/min) at \_\_\_\_\_ Feet ( \_\_\_\_\_ m) TDH.  
 The pump(s) shall be designed to pump wastewater, without damage during operation. The pump(s) shall be designed so that the shaft power required (BHP)/(kW) shall not exceed the motor rated output throughout the entire operating range of the pump performance curve. Pump(s) shall be of the top flow through design.

**2. MATERIALS OF CONSTRUCTION -**

Construction of major parts of the pumping unit(s) shall be as follows: Pump casing shall be synthetic rubber. Motor frame shall be aluminum alloy die casting. Internal and external surfaces coming into contact with the pumpage shall be protected by a fused polymer coating. All exposed fasteners shall be stainless steel. All units shall be furnished with 2" NPT discharge connector. Impellers shall be of the multi-vane, urethane rubber, semi-vortex solids handling design and shall be slip fit to the shaft. The motor shaft shall be machined to provide a positive drive of the impeller.

**3. MECHANICAL SEAL -**

All units shall be furnished with a dual inside mechanical shaft seal located completely out of the pumpage, running in a separate oil filled chamber and further protected by an exclusionary oil seal located between the bottom seal faces and the fluid being pumped. The oil chamber shall be fitted with a device that shall provide positive lubrication of the top mechanical seal, (down to one third of the standard oil level). The device shall not consume any additional electrical power. Mechanical seals shall be rated to preclude the incursion of water up to 13.9 PSI. (32 Ft.) submergence. Units shall have silicon carbide mechanical seal faces. Mechanical seal hardware shall be stainless steel.

**4. MOTOR-**

The pump motor(s) shall be 2/3 Hp., 0.48 kW., 115 or 230 V., 60 Hz. 1 Phase and shall be NEMA MG-1, Design Type B equivalent. Motor(s) shall be rated at 6.1 or 3.0 full load amps. Motor(s) shall have a 1.15 service factor and shall be rated for 10 starts per hour. Motor(s) shall be air filled, copper wound, class E insulated with built in thermal protection. Motor shaft shall be 403 stainless steel, fitted with a replaceable, stainless steel shaft sleeve and shall be supported by two permanently lubricated, high temperature ball bearings, with a B-10 life rating at best efficiency point of 60,000 hours. Bearings on all units shall be single row, double shielded, C3, deep groove type ball bearing.

**5. POWER CABLE AND CABLE ENTRANCE -**

The pump power cable shall be suitable for submersible pump applications. The cable entrance shall incorporate built in strain relief, a one piece, three way mechanical compression seal with a fatigue reducing cable boot. The cable entrance assembly shall contain an anti-wicking block to eliminate water incursion into the motor due to capillary wicking should the power cable be accidentally damaged.