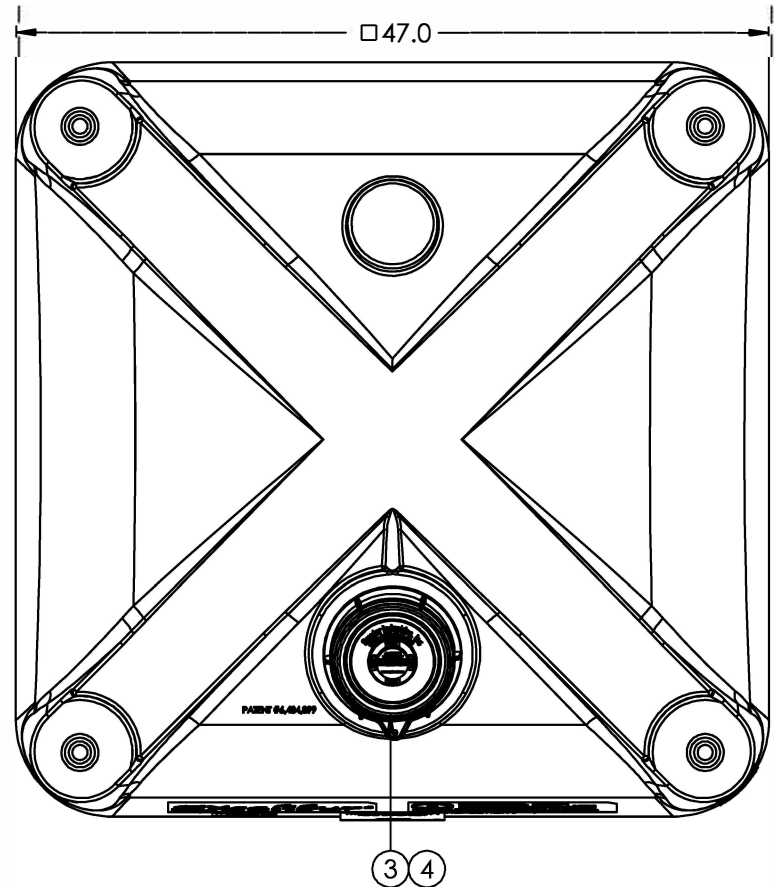
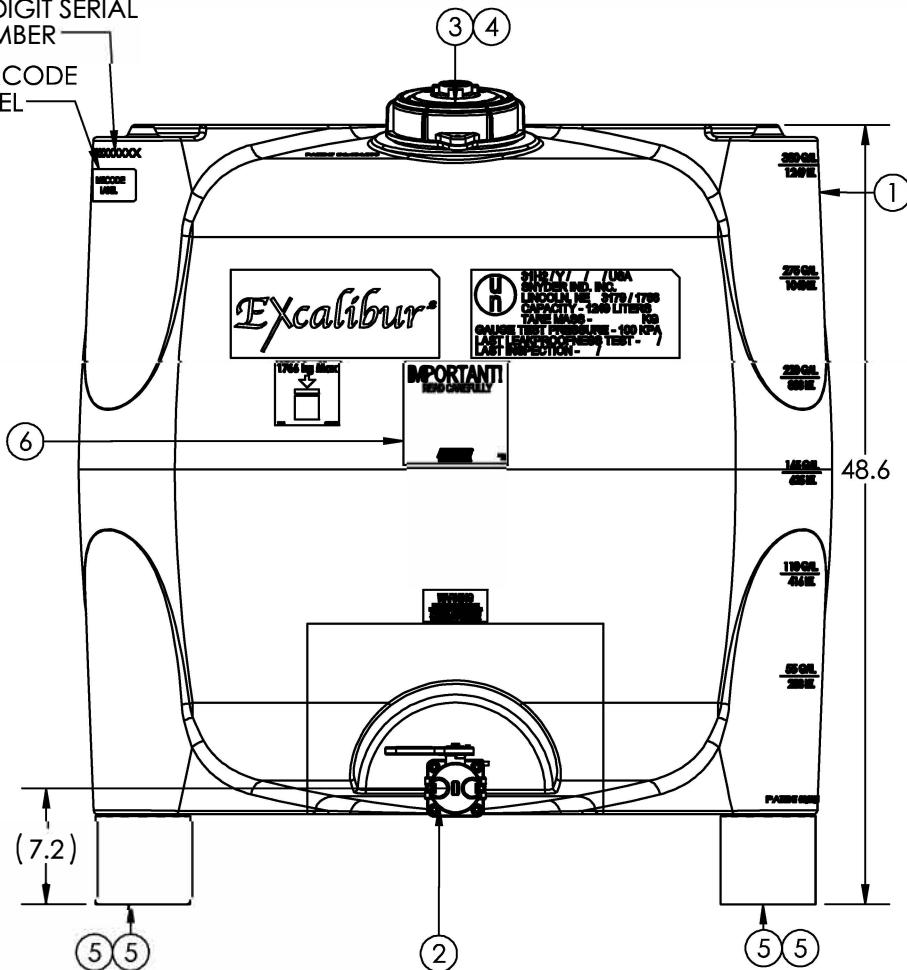
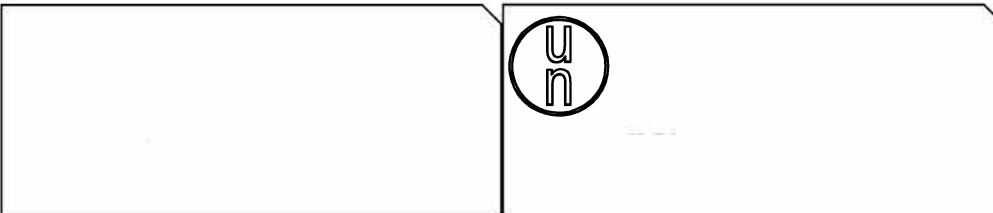


10 DIGIT SERIAL NUMBER  
 BARCODE LABEL



LOGO PLATE TO READ:

U.N. MARKINGS TO READ:



ITEM NO.	QTY.	PART NUMBER	DESCRIPTION
6	1	34701648	STD IBC ASSEMBLY KIT - NO BAG
5	4	34300341	EXCAL2 FOOT PE BLACK
4	1	34700822	ASM VENT PE 2IN VACUUM SII W/EPDM
3	1	34300314	CAP 6IN HDLPE W/2IN NPS W/EPDM
2	1	34702616	ASM VALVE 2IN 4-BOLT STUBBY 100KPA
1	1	6510101B96001	TK 330 EXCAL2 6C ORB/OINS 1.35



John M. Ellsworth Co., Inc.

P.O. Box 240072  
 8700 West Bradley Road  
 Milwaukee, WI 53224

800-333-3331 PHONE

info@jmesales.com E-MAIL  
 www.JMESales.com WEB

ITEM NO.	QTY.	PART NUMBER	DESCRIPTION	REVISION
DO NOT SCALE		DRAWN BY		A
STATUS: Released		SB		
PART NO. 6510101B96002			ENG. ID. D008651	SHEET 1 OF 1