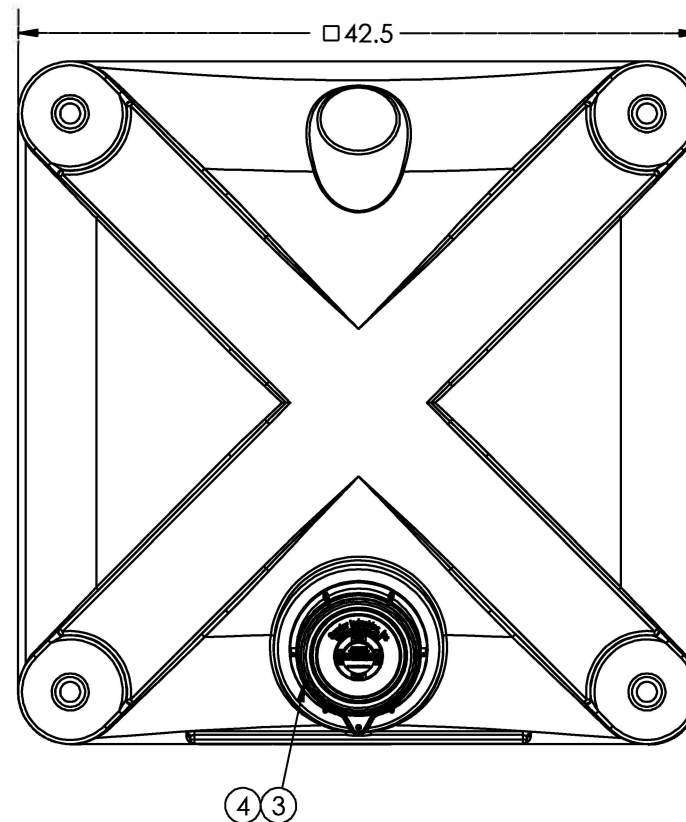
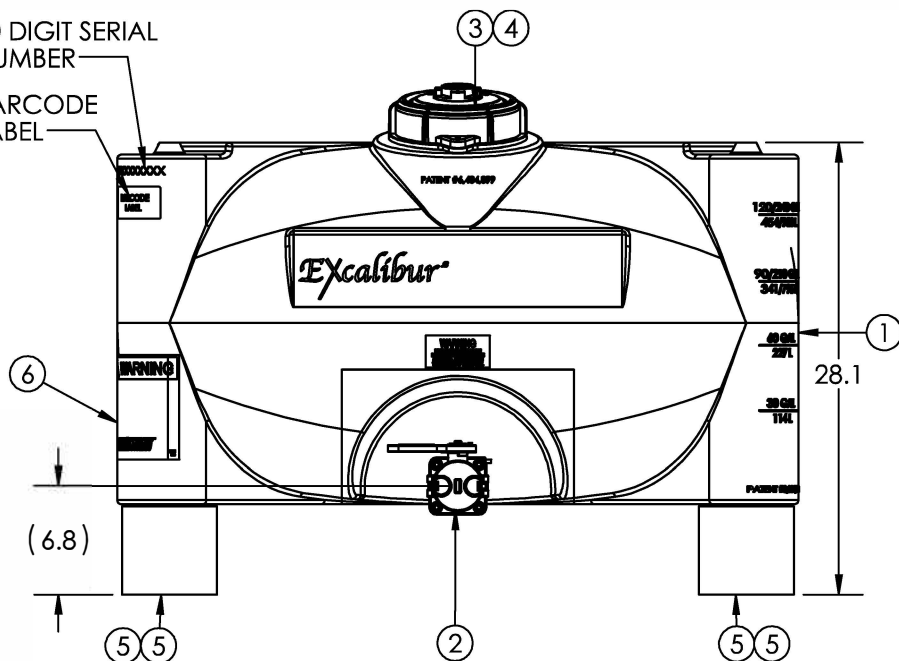


10 DIGIT SERIAL NUMBER

BARCODE LABEL



John M. Ellsworth Co., Inc.

P.O. Box 240072
8700 West Bradley Road
Milwaukee, WI 53224

800-333-3331 PHONE
info@jmesales.com E-MAIL
www.JMEsales.com WEB

6	1	34701648	STD IBC ASSEMBLY KIT - NO BAG
5	4	34300341	EXCAL2 FOOT BLACK
4	1	34700822	ASM VENT PE 2IN VACUUM SII W/EPDM
3	1	34300314	CAP 6IN HDLPE W/2IN NPS W/EPDM
2	1	34702616	ASM VALVE 2IN 4-BOLT STUBBY 100KPA
1	1	6570001B96001	ASM TK 120 EXCAL2 NAT 1.35 ORB NUN

ITEM NO.	QTY.	PART NUMBER	DESCRIPTION	REVISION
DO NOT SCALE		DRAWN BY	ASM TK 120 EXCAL2 NAT 1.35 EPDM NUN	A SHEET 1 OF 1
STATUS: Released		SB		
		PART NO.	ENG. ID.	
		6570001B96002	D011780	

ALL DIMENSIONS ARE IN INCHES, NOMINAL, & SUBJECT TO CHANGE WITHOUT NOTICE.
ALL DIMENSIONS ON ROTATIONAL MOLDED PARTS ARE SUBJECT TO A ± 3% TOLERANCE.