

# Series 25114

## 150# Flanged Cast Steel Check Valve



Valves, Automation & Controls

### Features

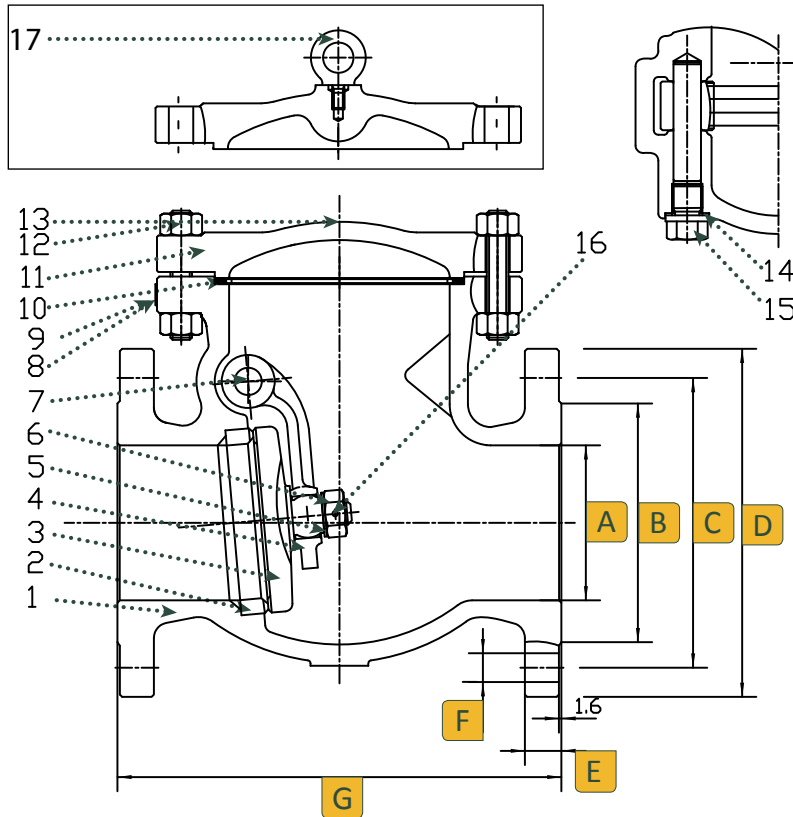
- Bolted Cover
- Swing Type
- For Horizontal or Vertical lines
- Integral Seat
- Flanged Ends
- Butt-weld Ends
- Applicable Standards:
  - Steel valves ANSI B16.34
  - Face to face ANSI B16.10
  - End flanges ANSI B16.5
  - Butt-weld ends ANSI B16.25
  - Inspection and test API 598



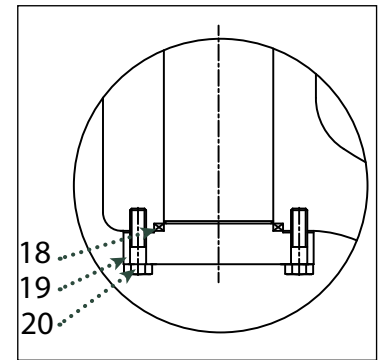
### Technical Information

Temperature °F	Working Pressure psi
-20 to 100	285
200	260
300	230
400	200
500	170
600	140
650	125
700	110
750	95
800	80
850	85
900	50
950	35
1000	20

4" & Above



24" - 30"



Size	A	B	C	D	E	F	G	Num of Bolt Holes
2	2.00	3.62	4.75	6.00	0.62	0.75	8.00	4
2-1/2	2.50	4.12	5.50	7.00	0.68	0.75	8.50	4
3	3.00	5.00	6.00	7.50	0.75	0.75	9.50	4
4	4.00	6.19	7.50	9.00	0.94	0.75	11.50	8
5	5.00	7.31	8.50	10.00	0.94	0.88	13.00	8
6	6.00	8.50	9.50	11.00	1.00	0.88	14.00	8
8	8.00	10.62	11.75	13.50	1.12	0.88	19.50	8
10	10.00	12.75	14.25	16.00	1.18	1.00	24.50	12
12	12.00	15.00	17.00	19.00	1.25	1.00	27.50	12
14	14.00	16.25	18.75	21.00	1.37	1.13	31.00	12
16	16.00	18.50	21.25	23.50	1.44	1.13	34.00	16
18	18.00	21.00	22.75	25.00	1.56	1.25	38.50	16
20	20.00	23.00	25.00	27.50	1.68	1.25	38.50	20
22	21.26	25.25	27.25	29.50	1.80	1.375	42.00	20
24	24.00	27.24	29.50	32.00	1.87	1.375	51.00	20
28	27.24	30.00	31.30	32.94	1.75	0.875	57.00	40
30	29.25	32.00	33.30	34.90	1.75	0.875	60.00	44

No.	Part Name	Material
1	Body	Carbon Steel A216 - WCB
2	Seat	A105 & STL6
3	Disc	A105 & 410 Stainless Steel
4	Hinge	Carbon Steel A216
5	Gasket	A276 410
6	Nut	A276 410
7	Pin	A276 410
8	Rivit	304 Stainless Steel
9	Name Plate	304 Stainless Steel
10	Gasket	F304 & Flexible Graphite
11	Cover	Carbon Steel A216 - WCB
12	Bolt	B7 Steel A193
13	Nut	2H Steel A194
14	Gasket	Soft Iron
15	Plug	410 Stainless Steel
16	Pin	304 Stainless Steel
17	Eyebolt	Carbon Steel
18	Gasket	F304 & Flexible Graphite
19	Bolt	Carbon Steel
20	Gland	Carbon Steel

## Ordering

Fig: 8 - 25 - 1 - 1 - 4

Description: 8" - Series 25 - 150# Flange Ends - Cast Steel

Size	Series	Class	Ends	Body Material	Options
2	14	25	1 Flange	4 Cast Steel	X Oxygen Service
2-1/2	16		2 Butt-weld		SF Silicon Free
3	18				RTJ Ring Type Joint Flange
4	20				
6	22				
8	24				
10	28				
12	30				

Due to continuous development of our product range, we reserve the right to change the dimensions and information for this product as required.