

Series 58B74

1-Piece Ball Valve

SHARPE[®]

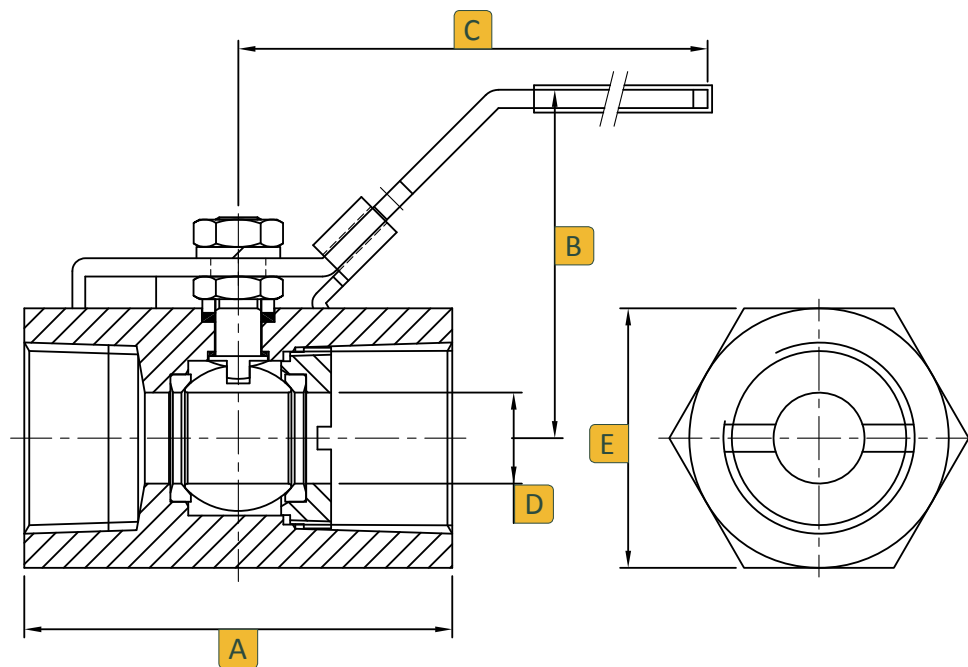
Valves, Automation & Controls

Features

- Standard port
- 2000 psi
- 150 WSP saturated steam rating
- NACE MR-0175
- Locking device
- Blowout proof stem



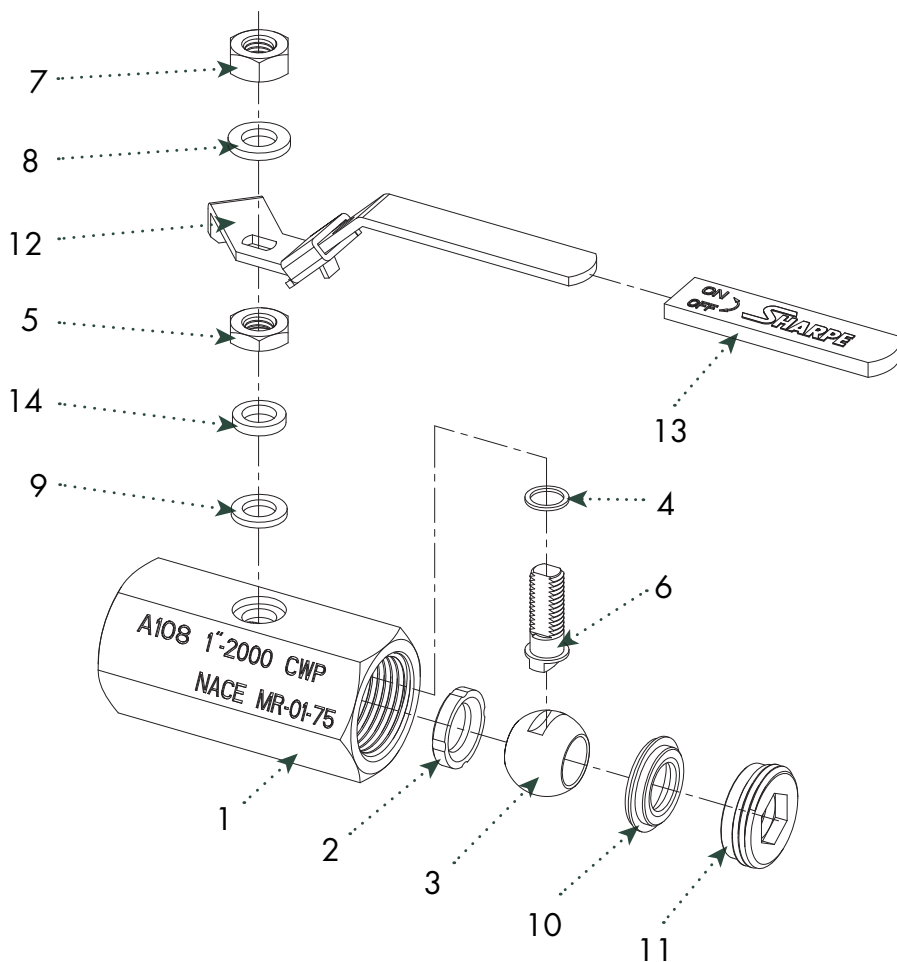
Dimensions



Dimensions (Inches)

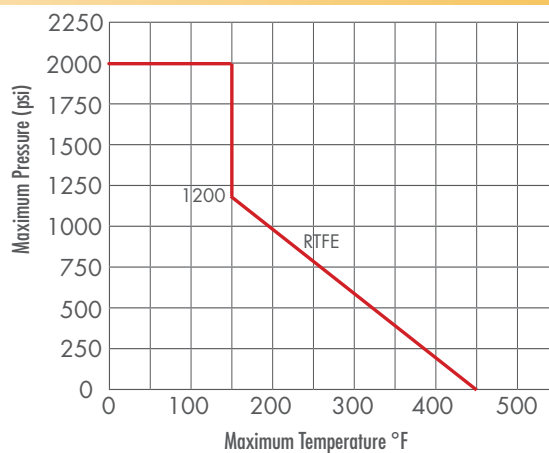
| Size | A | B | C | D | E |
|-------|------|------|------|------|------|
| 1/4 | 1.73 | 1.24 | 2.76 | 0.20 | 0.75 |
| 3/8 | 1.89 | 1.28 | 3.15 | 0.28 | 0.83 |
| 1/2 | 2.44 | 2.22 | 4.13 | 0.35 | 1.14 |
| 3/4 | 2.76 | 2.34 | 4.13 | 0.49 | 1.38 |
| 1 | 3.39 | 2.17 | 4.45 | 0.59 | 1.61 |
| 1-1/4 | 3.70 | 2.99 | 5.71 | 0.79 | 2.24 |
| 1-1/2 | 4.02 | 3.07 | 5.71 | 0.98 | 2.24 |
| 2 | 4.49 | 3.27 | 7.09 | 1.26 | 2.89 |

| No. | Part Name | Qty | Material |
|-----|---------------|-----|-----------------------------------|
| 1 | Body | 1 | Carbon Steel ASTM A108 |
| 2 | Seat | 2 | RTFE |
| 3 | Ball | 1 | 304 Stainless Steel ASTM A351 CF8 |
| 4 | Thrust Washer | 1 | PTFE |
| 5 | Packing Nut | 1 | 304 Stainless Steel |
| 6 | Stem | 1 | 304 Stainless Steel |
| 7 | Handle Nut | 1 | Zinc Platted Steel |
| 8 | Handle Washer | 1 | Zinc Platted Steel |
| 9 | Stem Packing | 1 | PTFE |
| 10 | Gasket | 1 | PTFE |
| 11 | Retainer | 1 | Carbon Steel ASTM A108 |
| 12 | Handle | 1 | Zing Platted Steel |
| 13 | Handle Cover | 1 | PVC |
| 14 | Gland | 1 | 304 Stainless Steel |



Technical Information

| Size | Weight |
|-------|--------|
| 1/4 | 0.2 |
| 3/8 | 0.3 |
| 1/2 | 0.7 |
| 3/4 | 1.0 |
| 1 | 1.5 |
| 1-1/4 | 3.4 |
| 1-1/2 | 3.2 |
| 2 | 5.9 |



Ordering

Fig: 1/2 - 58B7 - 4
Description: 1/2" - 58B7 - Carbon Steel Body

| Size | Series | Body | Option |
|-------|--------|----------------|----------------|
| 1/4 | 58B7 | 4 Carbon Steel | OH Oval Handle |
| 3/8 | | | |
| 1/2 | | | |
| 3/4 | | | |
| 1 | | | |
| 1-1/4 | | | |
| 1-1/2 | | | |
| 2 | | | |

Due to continuous development of our product range, we reserve the right to change the dimensions and information for this product as required.