

Series 50C7

3000# Seal Weld Ball Valve

SHARPE®

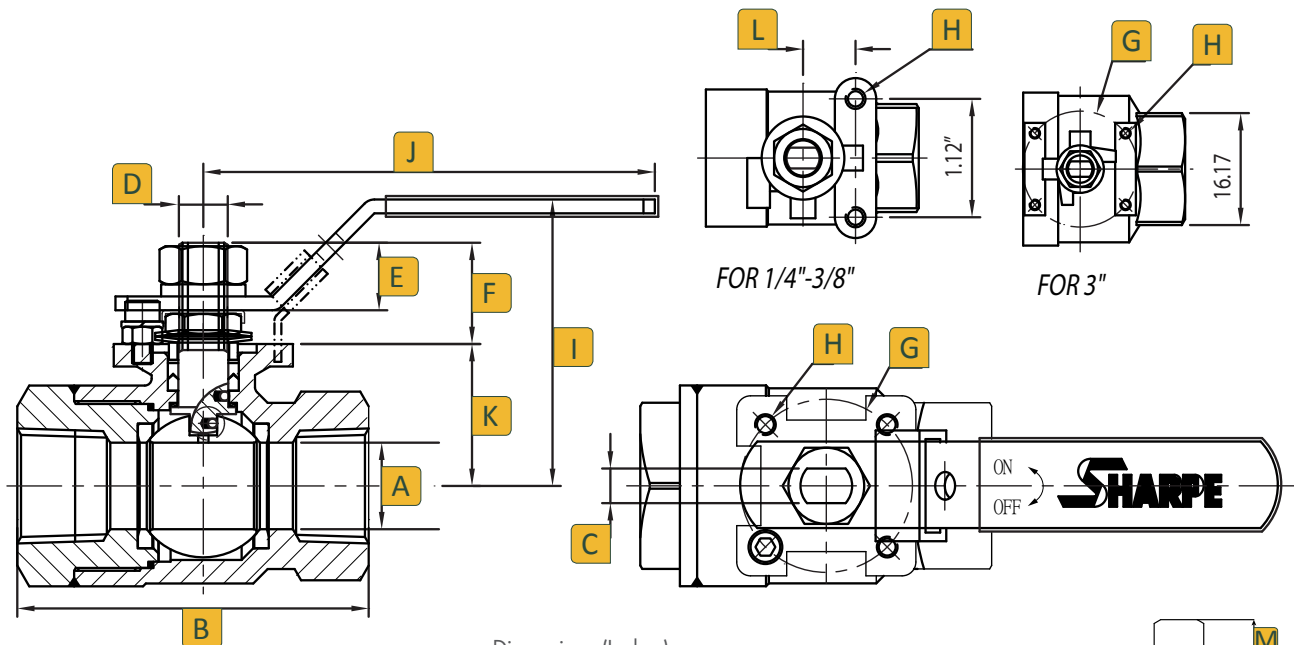
Valves, Automation & Controls

Features

- 3000 CWP rating
- Full port
- Seal weld construction
- ASTM A351 CF8M
- ASTM A216 WCB
- NACE MR-0175
- Locking device
- Live loaded stem
- Blow-out proof stem
- Anti-static device
- ISO 5211 mounting pad

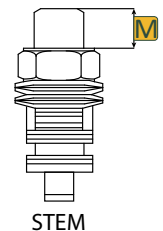


Dimensions

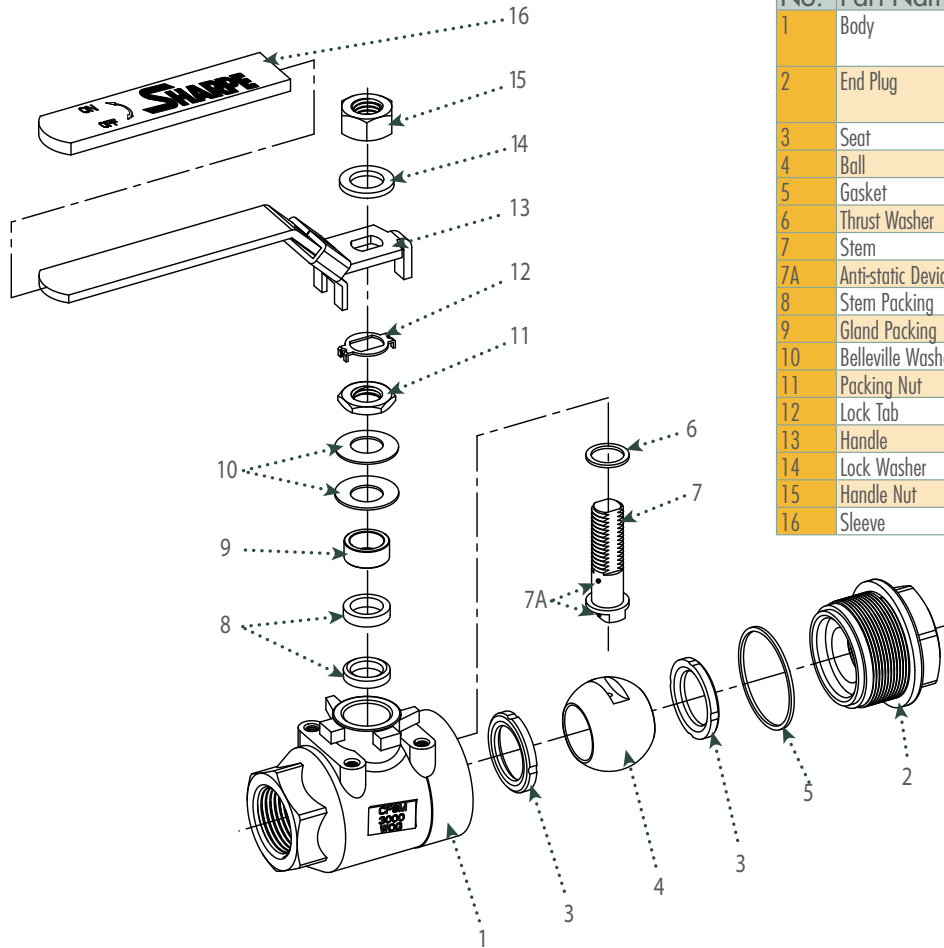


Dimensions (Inches)

Size	A	B	C	D	E	F	G	H	I	J	K	L	M
1/4	0.37	2.52	0.20	0.31	0.31	0.57	-	M5	2.19	3.70	0.94	0.50	0.31
3/8	0.37	2.52	0.20	0.31	0.31	0.57	-	M5	2.19	3.70	0.94	0.50	0.31
1/2	0.49	2.83	0.20	0.31	0.31	0.54	1.42	M5	2.17	5.31	0.96	-	0.29
3/4	0.79	3.50	0.33	0.47	0.42	0.73	1.65	M5	2.62	6.50	1.32	-	0.41
1	0.98	4.02	0.39	0.55	0.77	1.14	1.97	M6	3.25	6.89	1.61	-	0.75
1-1/4	1.26	4.57	0.39	0.55	0.83	1.20	1.97	M6	3.44	6.89	1.79	-	0.79
1-1/2	1.50	4.88	0.47	0.75	1.18	1.36	2.76	M8	4.61	9.57	2.39	-	1.06
2	1.50	5.51	0.47	0.75	1.18	1.36	2.76	M8	4.61	9.57	2.39	-	1.06
3	3.15	8.07	0.63	0.98	1.34	2.58	4.02	M10	6.04	14.57	3.31	-	1.34



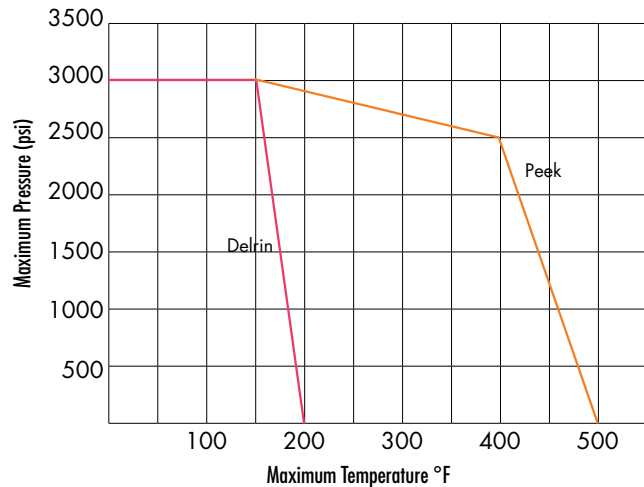
STEM



No.	Part Name	Qty	Material
1	Body	1	Carbon Steel ASTM A216 WCB or stainless Steel ASTM A351 CF8M
2	End Plug	1	Carbon Steel ASTM A216 WCB or 316 Stainless Steel ASTM A351 CF8M
3	Seat	2	Delrin / PEEK
4	Ball	1	316 Stainless Steel ASTM A351 CF8M
5	Gasket	1	PTFE / Graphite
6	Thrust Washer	1	PTFE / PEEK
7	Stem	1	ASTM A276 316 / 14-4 PH
7A	Anti-static Device	1	316 Stainless Steel ASTM A351 CF8M
8	Stem Packing	2	PTFE / Graphite
9	Gland Packing	1	304 Stainless Steel ASTM A240
10	Belleville Washer	2	301 Stainless Steel
11	Packing Nut	1	304 Stainless Steel ASTM A240
12	Lock Tab	1	304 Stainless Steel ASTM A240
13	Handle	1	Zinc Plated Steel
14	Lock Washer	1	304 Stainless Steel ASTM A240
15	Handle Nut	1	304 Stainless Steel ASTM A240
16	Sleeve	1	PVC

Technical Information

Size	CV	Port Size	Weight LB
1/4	7	0.37	1.20
3/8	8	0.37	1.15
1/2	10	0.49	1.50
3/4	35	0.79	2.76
1	68	0.99	4.87
1-1/4	110	1.26	7.41
1-1/2	155	1.50	12.10
2	155	1.50	14.73
3	750	3.15	36.73



Ordering

Fig: 1/2 - 50C7 - 6 - D
Description: 1/2" - 50C7 - 316 Body - Delrin Seat

Size	Series	Body	Seat
1/4	1-1/4	4 Carbon Steel	D Delrin
3/8	1-1/2	6 Stainless Steel	P Peek
1/2	2		
3/4	3		
1			

Due to continuous development of our product range, we reserve the right to change the dimensions and information for this product as required.