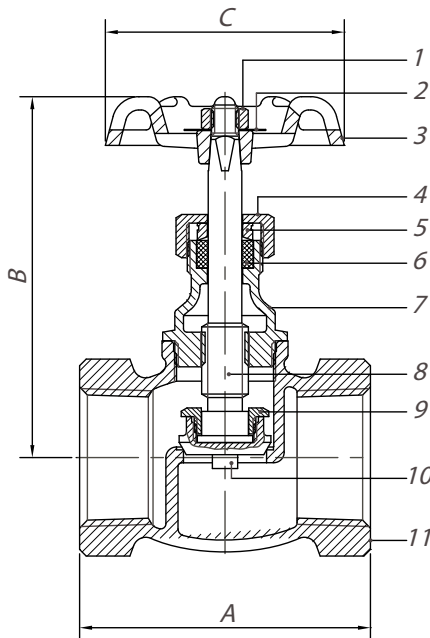


**BRASS GLOBE VALVE, THREADED**



- 200 lb. CWP, 125 lb. WSP
- 85-5-5-5 bronze body
- Hard seat
- Brass stem and disc
- Cast iron handle
- Conforms to MSS SP-80
- ISO 9001:2008 manufacturer



No.	Part	Material
1	Wheel Nut	Hot Rolled SAE 1010R
2	Name Plate	Aluminium
3	Hand Wheel	Cast Iron
4	Packing Nut	Brass B16 C36000
5	Gland Ring	Brass B16 C36000
6	Gland Packing	Graphite
7	Bonnet	Brass B16 C36000(1/2" - 3/4") Bronze C83600 (1" - 2")
8	Stem	Brass B16 C36000 (1/2" - 1") Bronze C83600 (1-1/4" - 2")
9	Locknut	Brass
10	Disc	Brass B16 C36000 (1/2" - 1") Bronze C83600 (1-1/4" - 2")
11	Body	Bronze B62 C83600

Size IN	Part Number	Weight LB	A IN	B IN	C IN
3/8	01764101E	0.6	1.85	2.66	2.13
1/2	01764101G	0.6	1.89	2.66	2.13
3/4	01764101I	0.7	2.21	2.97	2.19
1	01764101K	1.1	2.54	3.40	2.76
1-1/4	01764101L	1.9	2.92	4.33	2.96
1-1/2	01764101M	2.4	3.31	5.12	3.31
2	01764101N	3.6	3.92	6.02	3.74

USA 800-766-0076

Fax 323-890-4456

www.smithcooper.com

Los Angeles, CA

Chicago, IL

Atlanta, GA

Vancouver, WA

Houston, TX