

7.10 DWG. 61201 - Replacement Parts Diagram, ST-15 115VAC

ST-15 115VAC

Single Point Thermister Controller

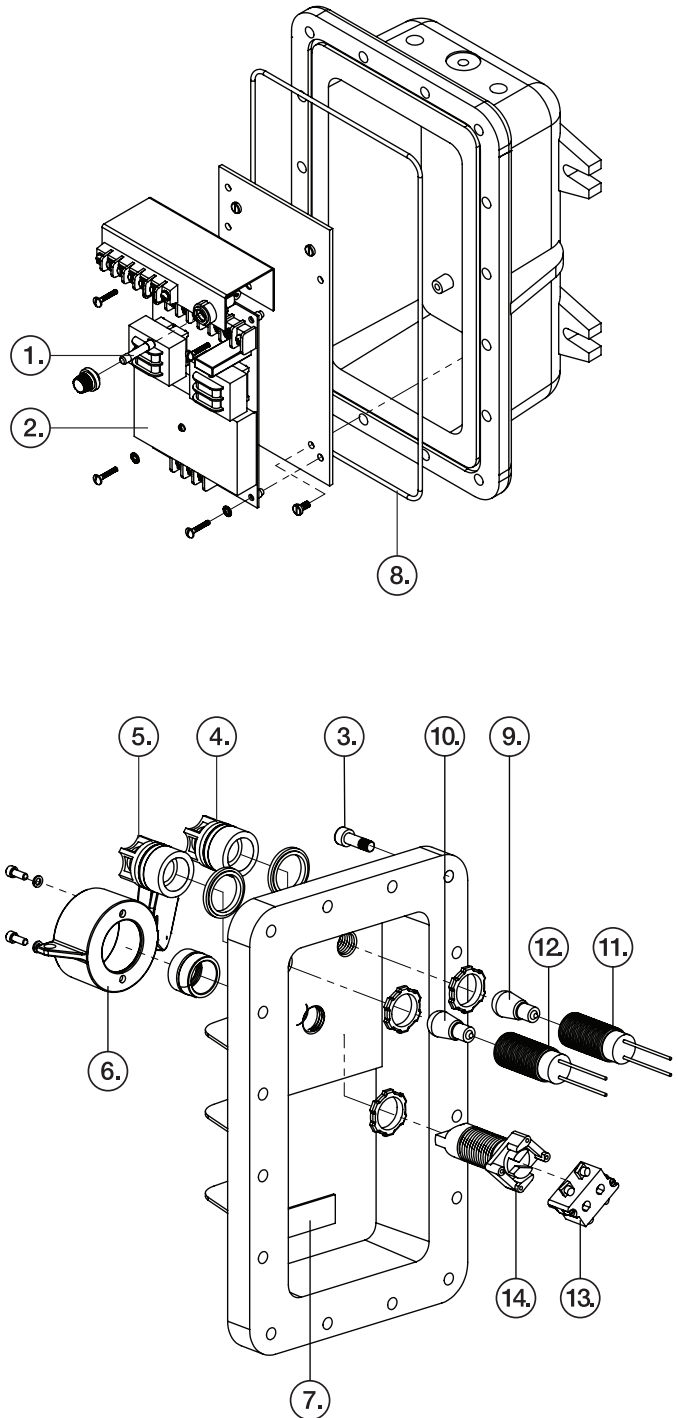
Part No.	Model
07528	ST-15-115 EL
07677	ST-15-115 ELK

Note: Controller Models Suffix:
 Explosion-proof housing (E), Indicator Lights (L),
 Key (K) Lockable Bypass Switch.

Replacement Parts

Item	Part No.	Description	Qty.
1	26311	Mains Fuse, 5 Ampere	1
2	08756	ST-15C-115H Circuit Module	1
3	50041	Screw, Hex Head	16
4	09124	Red Replacement Head and Guard Assembly	1
5	09125	Green Replacemnt Head and Guard Assembly	1
6	08360	Bypass Switch Lock Box (includes 2 mounting screws)	1
7	21733	Corrosion Capsule	1
8	31340	O-ring cover seal	1
9	09384	LED- Red	1
10	09385	LED- Green	1
11	08343	Pilot Light Replacement Kit Red (includes 5,9)	1
12	08342	Pilot Light Replacement Kit Green (includes 5,9)	1
13	26022	Bypass Switch Contact Block	1
14	26055	Bypass Switch Operator 3-Position	1

Notes:
 Item 3: Hex head screw used on models built after 10/92.
 Item 8: O-ring used on models built after 10/92



61201 Rev C
 October 2014

