

Automotive Lift

R E P A I R P A R T S



SVI International, Inc.
(800) 321-8173 • fax: (800) 899-1784
155 Harvestore Drive • DeKalb, IL 60115
www.sviinternational.com

BALTIMORE • CHICAGO • LOS ANGELES

Repair Parts for: **Manitowoc/Gilbarco**

Repair Parts for:
**Manitowoc/
Gilbarco**
LRC9300G



In-Ground Lift Packing Quick Reference

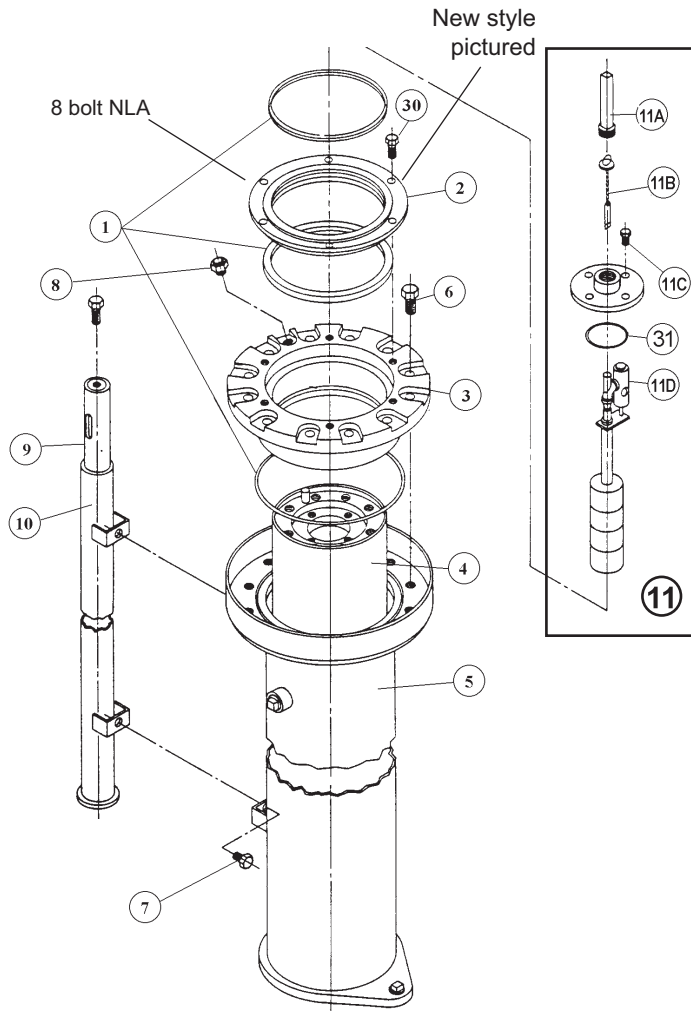
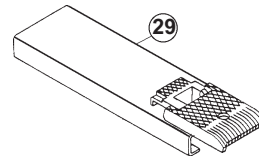
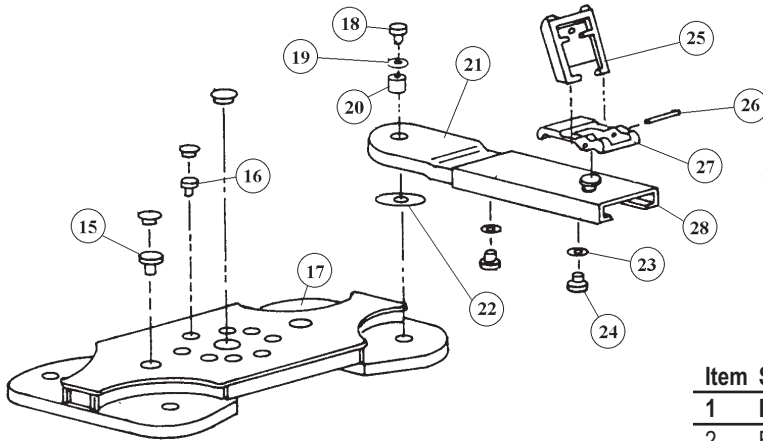
BH-1717	K34122	A12C, D, E & M, A120 & A121, Front Pistons A-1CJ, A-5CM, A-6CM (Rubber Packing)	7-1/2"	1 - 7-1/2" x 8-1/4" x 9/16" Rubber U Cup 1 - Rubber Wiper 1 - O'ring
BH-1717LS	K34122	A12C, D, E & M, A120 & A121, Front Pistons A-1CJ, A-5CM, A-6CM (Rubber Packing)	7-1/2"	1 - 7-1/2" x 8-1/4" x 9/16" Fabric Ribbed U Cup 1 - Rubber Wiper 1 - O'ring
BH-1707	K34115	A-12C30, D30, E30, A-12M30, M50, A-12030, A-12130, A-1CJ30, A-5CM30, A-6CM50 and all model numbers ending '0' to '9'. T08971, T09205, T11934, 936,937, 896, 984 or with dash # (T08971-01)	7-1/2"	1 - 7-1/2" x 8-1/4" x 1/2" Rubber U Cup 1 - Rubber Wiper 1 - O'ring
BH-1715	K34152	A-12D3A, E3A, M3A, N3A, J3A, A-5CM3A, A-6CM5A and all models ending with "A" through "Z". Also: T13916, T13921, T13922 or with dash #s	8-1/2"	1 - 8-1/2" x 9-1/2" x 5/8" Rubber U Cup 1 - Rubber Wiper Ring 1 - Felt Wiper 1 - O'ring
BH-1715LS	K34152	A-12D3A, E3A, M3A, N3A, J3A, A-5CM3A, A-6CM5A and all models ending with "A" through "Z". Also: T13916, T13921, T13922 or with dash #s	8-1/2"	1 - 8-1/2" x 9-1/2" x 5/8" Fabric Ribbed U Cup 1 - Rubber Wiper Ring 1 - Felt Wiper 1 - O'ring
BH-1718	K34114	18-30, 18-41C, 19-30, 20-30,30-30,40-30 FCF2, 4 & 6, FSC3, 5 & 6, 12 & 13	10-5/8"	1 - 10-5/8" x 11-1/2" x 5/8" Rubber U Cup 1 - Polyurethane Wiper Ring
BH-1718LS	K34114	18-30, 18-41C, 19-30, 20-30,30-30,40-30 FCF2, 4 & 6, FSC3, 5 & 6, 12 & 13	10-5/8"	1 - 10-5/8" x 11-1/2" x 5/8" Fabric Ribbed U Cup 1 - Polyurethane Wiper Ring
BH-1722	K87582	AHA-1AA, AHA-AAB, AHA-1AP, AHA-2BM, FCF2, 4 & 6, FCS 3, 5, 12 & 13, 14, 15, 18 & 19, 20, 30 & 31, 40 & 41, 78 & 79	10-5/8"	1 - 10-5/8" x 11-1/2" x 1/2" Deep Rubber U 1 - Synthetic Rubber Wiper Ring
BH-1716	K34151 K34301	A-1AA1A, 3A, A-1AB3A, A-1AN3A, A-2BM3A, A-3BM5A, A-5CM3A, A-6CM5A, T13944, 45, 46, T13952, T13959 and models ending with letters "A" to "Z"	10-5/8"	1 - 10-5/8" x 11-3/4" x 5/8" Rubber U Cup 1 - Synthetic Rubber Wiper 1 - Felt Wiper 1 - O-ring
BH-1716LS	K34151 K34301	A-1AA1A, 3A, A-1AB3A, A-1AN3A, A-2BM3A, A-3BM5A, A-5CM3A, A-6CM5A, T13944, 45, 46, T13952, T13959 and models ending with letters "A" to "Z"	10-5/8"	1 - 10-5/8" x 11-3/4" x 5/8" Fabric Ribbed U Cup 1 - Synthetic Rubber Wiper 1 - Felt Wiper 1 - O-ring
BH-1727	K34113	All 10-5/8" with model numbers ending '0' to '9' except "T" models listed above.	10-5/8"	1 - 10-5/8" x 11-3/4" x 3/4" Urethane U Cup 1 - Polyurethane Wiper
BH-1727S	K34114 K34113 K34151 K34301 K87582	Universal for most 10-5/8" Lifts Note: For 3/4" Deep U Cup remove seal support rings from bottom of stuffing box.	10-5/8"	1 - 10-5/8" x 11-3/4" x 3/4" Rubber U Cup 1 - Large Base Polyurethane Wiper 1 - Small Base Rubber Wiper 1 - Felt Wiper 1 - O-ring
BH-1785		PCF2, 4 & 6, FCS3, 5, 7, 12 & 13, 14, 15, 18, 19, 20, 30 & 31, 40 & 41, 78 & 79	10-5/8"	3 - Synthetic MM Style Rings 1 - Synthetic Rubber Wiper

Packing Installation Tools

BH-1717-20 for 7-1/2" seals	BH-1715-20 for 8-1/2" seals	BH-1716-20 for 10-5/8" seals
------------------------------------	------------------------------------	-------------------------------------



Single Post Lift models A-1AB1A, 3A, A-1AA1A, 3A



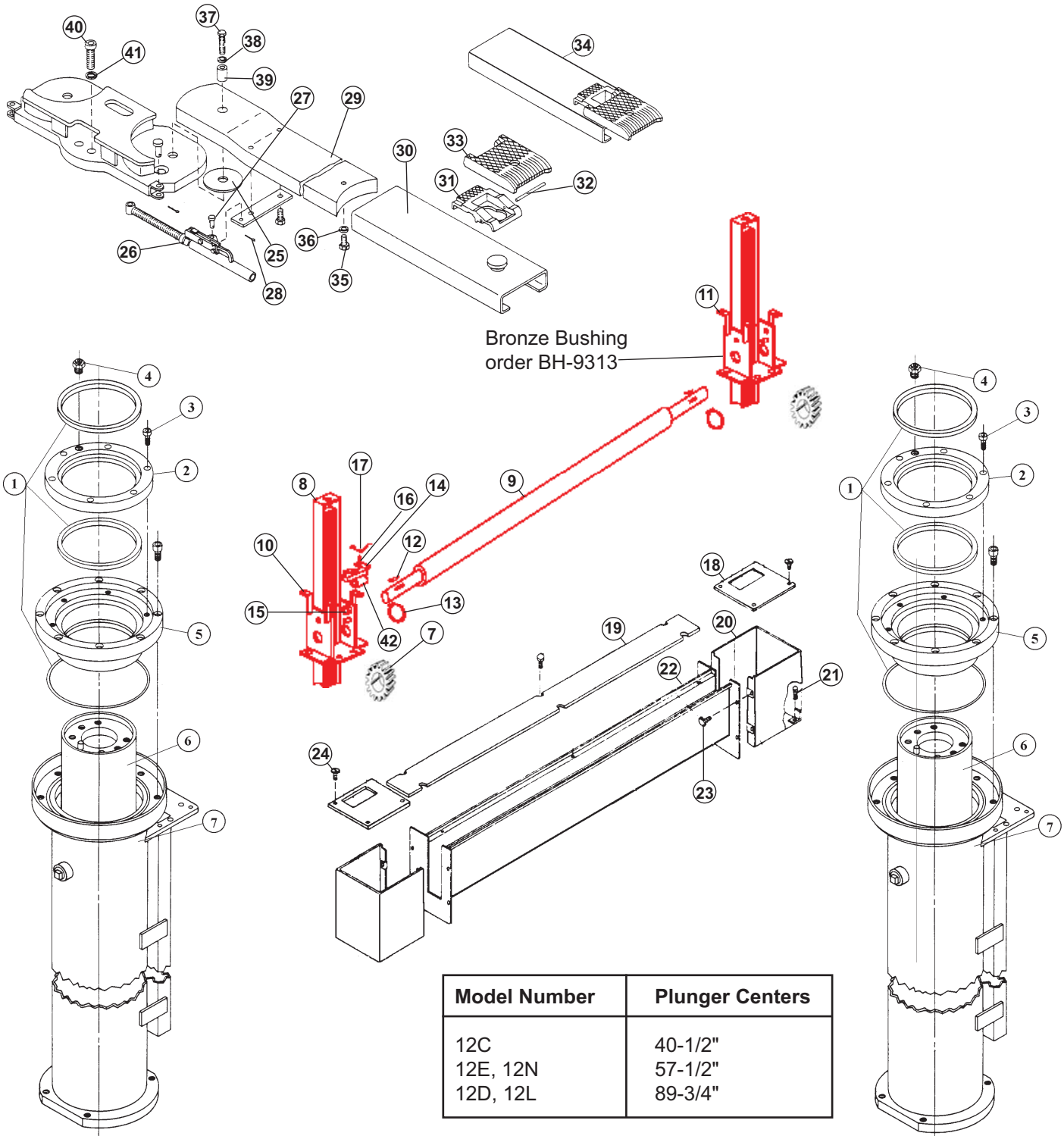
Item	SVI #	OEM #	Req.	Description
1	BH-1716	K34151	1	Hoist Packing Kit
2	BH-9321-13	R18229-02	1	Wiper Retainer new (w/step up)
	BH-9321-15	R12516-02	1	Wiper Retainer old 6-bolt (flat)
3	BH-9322-02	T13943-02	1	Upper Bearing
4	BH-9321-14	T08288-02	1	Plunger (Semi-Hyd.)
5	BH-9321-01 *	T13952-01	1	Plunger & Cyl. Assy. (Semi-Hyd.)
	BH-9322-01 *	T13946-01	1	Plunger & Cyl. Assy. (Full-Hyd.)
6	F-HC-0750-10-2250	Q10412-01	12	Hex Head Cap Screw
7	F-HC-0375-16-0750	K01901	2	Hex Head Cap Screw
8	BH-9321-07	N21812-G1	1	Air Vent
9	BH-EL-68	R13470-01	1	Safety Leg/Non-Rotator
	BH-TR-68	R13470-01	1	Top Release Safety Leg
10	BH-LC-01	R13470-01	1	Safety Leg Casing (Retrofit)
11	BH-9780-73	FA73		Low Oil Control (incl. A-D)
11A	BH-9321-12	K02284	1	Pipe Plug A-1AA1A (Semi)
11B	BH-9321-11	N18490-02	1	Oil Gauge (Semi-Hyd.)
11C	F-HC-0375-16-0875	K47659	4	Hex Head Cap Screw
11D	BH-9321-09	R13365	1	Low Oil Control (Semi-Hyd.)
15	F-HC-1000-8-3000	K01914-64	1	Hex Head Cap Screw
16	F-HC-0750-10-2000	Q10412-15	8	Hex Head Cap Screw
17	BH-9320-01	T13961	1	Crosshead Bolster Assy.
18	F-HC-0437-14-2250	K78272	4	Hex Head Cap Screw
19	F-LW-0437	K02215	4	Lockwasher
20	BH-9320-11	K85825	4	Swing Arm Pivot
21	BH-9320-09	R13252	4	Swing Arm
22	BH-9320-08	K87033	4	Swing Arm Washer
23	F-LW-0500	K02455	8	Lockwasher
24	F-HC-0500-13-1000	K01909	8	Hex Head Cap Screw
25	BH-9320-04	R16123-02	4	Pick up Pad
26	BH-9320-06	Q10038-04	4	Spiral Pin
27	BH-9320-05	R12709-02	4	Swivel Base Pad
28	BH-9320-07	R12710-02	4	Sleeve Base Assy.
29	BH-9320-13	N20366-01	4	Sleeve and Adapter Assy.
15-29	BH-9320	K34104	1	Complete Superstructure
30	BH-9321-07	N21812-G1	1	Air Vent
31	OB-70-241		1	70 Duro O-Ring

Lift Oil Tanks for Full Hydraulic Lifts

Item	SVI #	OEM #	Req.	Description
	BH-9802-C *	R18219-G1	1	Oil Tank with Bottom Outlet

* For Fiberglass Coating add "FG" to part number

Twin Post Side By Side Lift Models
A-12D3, A-12E3, A-12L3, A-12N





Twin Post Side By Side Lift Parts List

Item	SVI #	OEM #	Req.	Description
1	BH-1715	K34152	2	Hoist Packing Kits (8-1/2")
	BH-1717	K34122	2	Hoist Packing Kits (7-1/2")
2	BH-9313-32	T13915-01	2	Wiper Ring Retainer (8-1/2")
	BH-9313-40	R13052-11	2	Wiper Ring Retainer (7-1/2")
3	F-SC-0375-16-0750	Q10034-28	12	Socket Head Cap Screw
4	BH-9321-07	N21812-G1	2	Air Vent
5	BH-9313-33	T13911-02	2	Upper Bearing (8-1/2")
	BH-9313-36	K34342	2	Upper Bearing (7-1/2")
6	BH-9313-34	K92930	2	Plunger (8-1/2") 12D & 12L
	BH-9313-35	K92931	2	Plunger (8-1/2") 12E & 12N
	BH-9321-03	T13948-G1	2	Plunger (10-5/8")
		K92937		
	BH-9321-03A	T11935-04	2	Plunger (7-1/2")
7	BH-9311	K87046	2	Pinion Gear
8	BH-9310	N19253	2	Rack Bar
8a	BH-9310-SLV		1	Rack Bar Guide Tube Sleeve
9	BH-9312-00	N19303-01	1	40" Equalizer Shaft
	BH-9312-01	N19303-03	1	57-1/2" Equalizer Shaft
	BH-9312-02	N19303-02	1	89" Equalizer Shaft
10	BH-9314	R13422	1	Left Equalizer Bracket
11	BH-9315	R13423	1	Right Equalizer Bracket
12	BH-9618-06	K07536-01	2	Woodruff Key
13	BH-9614-05	K65235-24	2	Retaining Ring
14	BH-9313-23	R13382	1	Automatic Lock Latch
15	BH-9313-24	K87045	1	Latch Shaft
16	BH-9313-21	K88435	1	Auto Lock Latch Handle
17	BH-9313-25	N19704	1	Auto Lock Latch Spring
14-17	BH-9313-23C	**	1	Automatic Lock Latch Kit
9-13	BH-9312-40or40L	****	1	40" Equalizer Assembly
9-13	BH-9312-57or57L	****	1	57-1/2" Equalizer Assembly
9-13	BH-9312-89or89L	****	1	89" Equalizer Assembly
7-13	BH-9312-40C	*	1	Complete 40" Equalizer Assy.
7-13	BH-9312-57C	*	1	Complete 57" Equalizer Assy.
7-13	BH-9312-89C	*	1	Complete 89" Equalizer Assy.
7-17	BH-9312-40LC	*	1	Complete 40" Assy. with Lock

Item	SVI #	OEM #	Req.	Description
7-17	BH-9312-57LC	*	1	Complete 57" Assy. with Lock
7-17	BH-9312-89LC	*	1	Complete 89" Assy. with Lock
18	BH-9313-08	R13105	2	Equalizer Box End Cover
19	BH-9313-10A	R13065-02	1	Eq. Box Center Cover 40"
	BH-9313-10B	R13065-01	1	Eq. Box Center Cover 57"
	BH-9313-10C	R13065	1	Eq. Box Center Cover 89"
20	BH-9313-04	N19263	2	Equalizer Box End Section
21	F-HC-0250-20-0500	K05287	4	Hex Head Bolt
22	BH-9313-03A	N19271-04	1	Eq. Box Center Section 40"
	BH-9313-03B	N19271-01	1	Eq. Box Center Section 57"
	BH-9313-03C	N19271	1	Eq. Box Center Section 89"
23	F-HC-0250-20-0500	K05287	8	Hex Head Bolt
24	F-MS-0250-20-0750	K02879	8	Round Head Screw
25	BH-9320-08	K87033	4	Swing Arm Washer
26	BH-9320-09L	R18254-G2	2	Left Arm Restraint
	BH-9320-09R	R18254-G1	2	Right Arm Restraint
27	F-CV-0500-1500	R18230-245	4	Clevis Pin
28	F-CP-125-1000	K02128	8	Cotter Pin
29	BH-9324-09	N20275	4	Swing Arm
	BH-9324-09A	N21841	4	Swing Arm Restraint Style
30	BH-9324-11	R12956-02	4	Sliding Base Assembly
31	BH-9320-05	R12709-02	4	Swivel Base Assembly
32	BH-9320-06	Q10038-04	4	Swivel Pin
33	BH-9320-04	R16123-02	4	Pick Up Pad
34	BH-9324-10	N20366-02	4	Sleeve and Adapter Assy.
35	F-HC-0500-13-1000	K01909	12	Hex Head Cap Screw
36	F-LW-0500	K02455	4	Lockwasher
37	F-HC-0437-14-2250	K78272	4	Hex Head Cap Screw
38	F-LW-0437	K02215	4	Lockwasher
39	BH-9320-11	K85825	4	Swing Arm Pivot
40	F-SC-0750-10-2750	Q10035-34	8	Socket Head Cap Screw
41	F-LW-0750	K02216	8	Lockwasher
42	F-SS-0250-20-0312	K87287-20	1	Set Screw for Lock Latch

* Complete Equalizer Assemblies include Rack Bars, Pinion Gears, plus Equalizer Assembly Components.

** Automatic Lock Latch kit includes everything necessary to upgrade or replace the lock assembly. Includes hardware.

*** For Fiberglass Coating add "FG" to part number.

**** Equalizer Assembly does not include Rack Bars or Pinion Gears. "L" added to end of part number denotes with locking mechanism.

Lift Oil Tanks

Item	SVI #	OEM #	Req.	Description
	BH-9802-C	R18219-G1	1	Oil Tank with Bottom Outlet

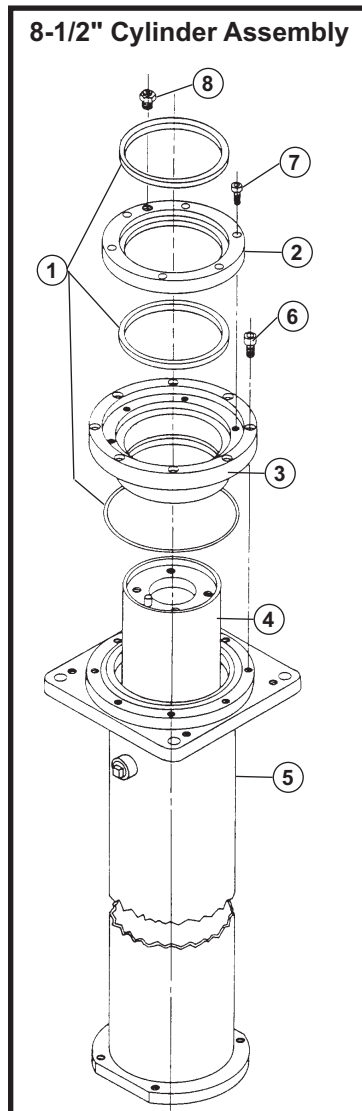
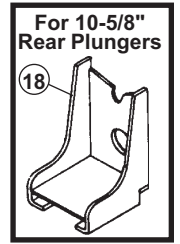
Fore and Aft Lifts

Models with 8-1/2" Plungers:

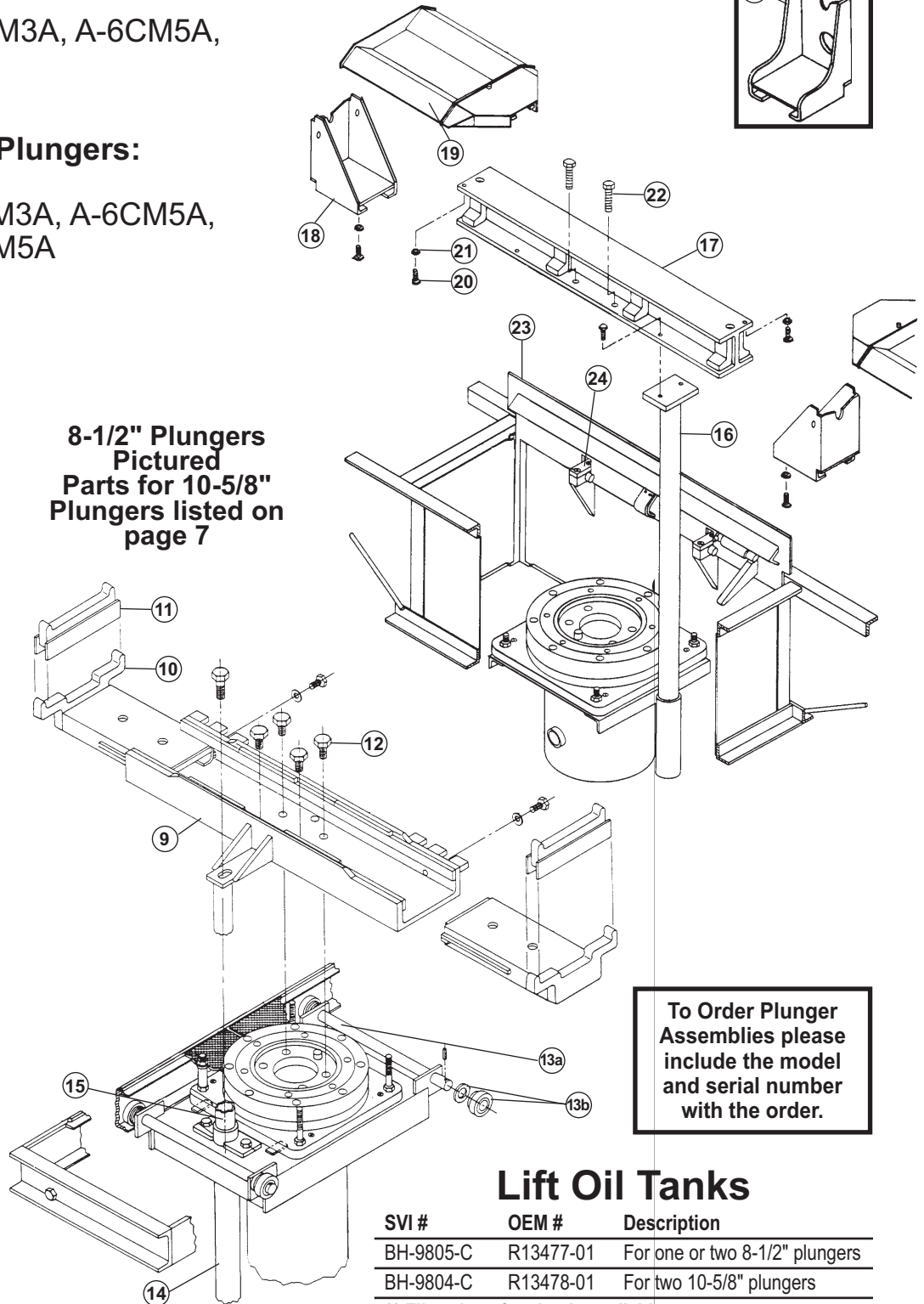
A-12M3A, A-12M5A,
Front plunger of A-5CM3A, A-6CM5A,
A-12J3A

Models with 10-5/8" Plungers:

A-2BM3A, A-3BM5A,
Rear plunger of A-5CM3A, A-6CM5A,
Front plunger of A-3FM5A



**8-1/2" Plungers
Pictured
Parts for 10-5/8"
Plungers listed on
page 7**



**To Order Plunger
Assemblies please
include the model
and serial number
with the order.**

Lift Oil Tanks

SVI #	OEM #	Description
BH-9805-C	R13477-01	For one or two 8-1/2" plungers
BH-9804-C	R13478-01	For two 10-5/8" plungers

**** Fiberglass Coating is available**

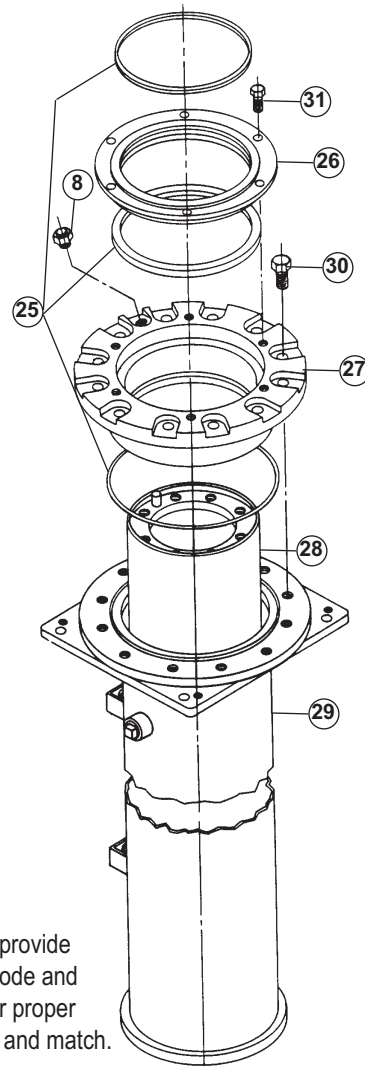


Parts List for Fore and Aft Lifts

Item	SVI #	OEM #	Req.	Description
1	BH-1715	K34152	1-2	Hoist Packing Kit (8-1/2")
2	BH-9313-32	T13915-01	1-2	Wiper Ring Retainer (8-1/2")
3	BH-9313-33	T13911-02	1-2	Upper Bearing (8-1/2")
4	BH-9341-06*	T13912-G2	1	Front Plunger Assy. (8-1/2")
	BH-9341-07*	T13912-G3	1	Rear Plunger Assy. (8-1/2")
5	BH-9341-08	T13919-G1	1	Front Casing (8-1/2")
	BH-9341-09	T13922-02	1	Rear Cylinder Assy. N/A
6	F-SC-0500-13-2000	Q10034-82	16	Socket Head Cap Screw
7	F-SC-0375-16-0750	Q10034-28	12	Socket Head Cap Screw
8	BH-9321-07	N21812-G1	2	Air Vent
9	BH-9341-10	T13930-02	1	Front Saddle (8-1/2")
	BH-9341-11	T13949	1	Front Saddle (10-5/8")
	BH-9341-12	T13930-03	1	Front Saddle (A-12J3A8-1/2")
10	BH-9341-13	R13418	2	Front Sliding Adapter (8-1/2")
	BH-9340-40	R13487	2	Front Sliding Adapter (10-5/8")
11	BH-9341-14	R13424	2	Height Adapter (8-1/2")
	BH-9340-40A	R13323	2	Height Adapter (10-5/8")
12	F-HC-0750-10-2250	Q10412-01	4	Hex Head Bolt
13a	BH-9340-02	K88533	2	Carriage Axle only (8-1/2")
13a	BH-9340-05	N20283	2	Carriage Axle only (10-5/8")
13b	BH-9340-01	K88995	4	Axle Wheel only (8-1/2")
13b	BH-9340-04	K89017	4	Axle Wheel only (10-5/8")
14	BH-9341-15	N20234-01	1	Safety Leg Casing (8-1/2")
	BH-9341-16	N21352	1	Safety Leg Casing (10-5/8")
15	BH-EL-68	R13470-07	1	Safety Leg (Foot Release)
	BH-TR-68	R13470-07	1	Safety Leg (Top Release)
16	BH-9341-02	T11967-01	1	Rear Safety Leg (10-5/8")
	BH-9341-04	R13471-01	1	Rear Safety Leg (8-1/2")
17	BH-9350-01	T13929	1	Rear Saddle (8-1/2")
	BH-9340-08	T13934	1	Rear Saddle (10-5/8")
18	BH-9350-02	R13177	2	Rear Adapter (8-1/2")
	BH-9340-07	R13468	2	Rear Adapter (10-5/8")
19	BH-9341-17	T09478	opt	Wheel Adapter Assy (A-12M3A)
20	F-HC-0375-16-1000	K01902	6	Hex Head Cap Screw
21	F-HN-0375-16	K01943	6	Hex Nut
22	F-HC-0750-10-2250	K01909	2	Hex Head Cap Screw
23	BH-9341-18	R16249	2	Cover Door
24	BH-9341-19	K88461	4	Hinge Door Top Member
25	BH-1716	K34151	1-2	Hoist Packing Kit (10-5/8")

Item	SVI #	OEM #	Req.	Description
26	BH-9321-13	R18229-02	1-2	Wiper Ring Retainer (10-5/8")
27	BH-9321-04	T13943-03	1-2	Upper Bearing (10-5/8")
28	BH-9341-20	T13935-G1	1-2	Plunger Assy. (10-5/8")
29	BH-9341-21	T13938-G2	1	Casing (10-5/8" manual lock front)
	BH-9341-22	T13938-G1	1	Casing (10-5/8" auto lock front)
	BH-9341-23	T13939-G1	1	Casing (10-5/8" Rear)
30	F-HC-0750-10-2250	Q10412-01	12	Hex Head Cap Screw
31	F-HC-0437-14-1500	K01907	6	Hex Head Cap Screw
---	BH-9340-31	K90133	1	Air Cylinder for Auto Lock

10-5/8" Cylinder Assembly

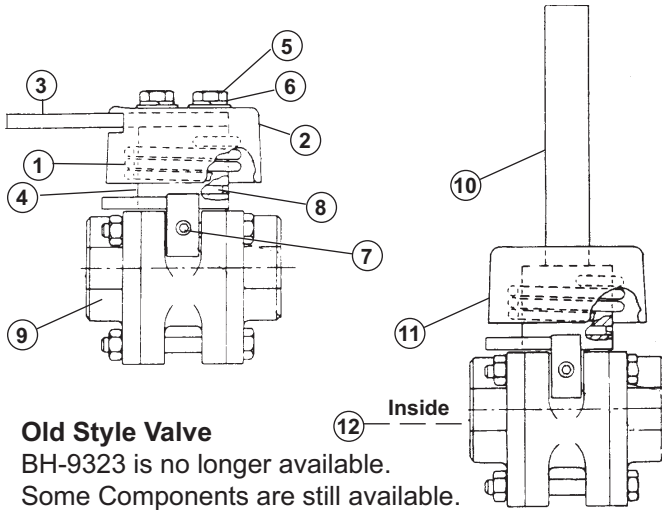


* Need to provide Bearing Code and Symbol for proper plunger fit and match.



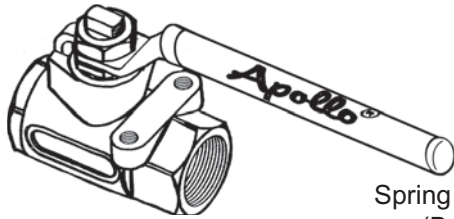
Oil Control Valves and Ratchet Parts

Oil Control Valves and Parts



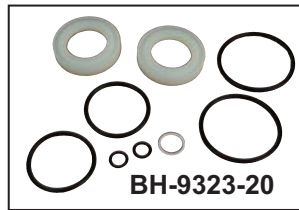
Old Style Valve

BH-9323 is no longer available.
Some Components are still available.
It has been replaced by BH-9716.



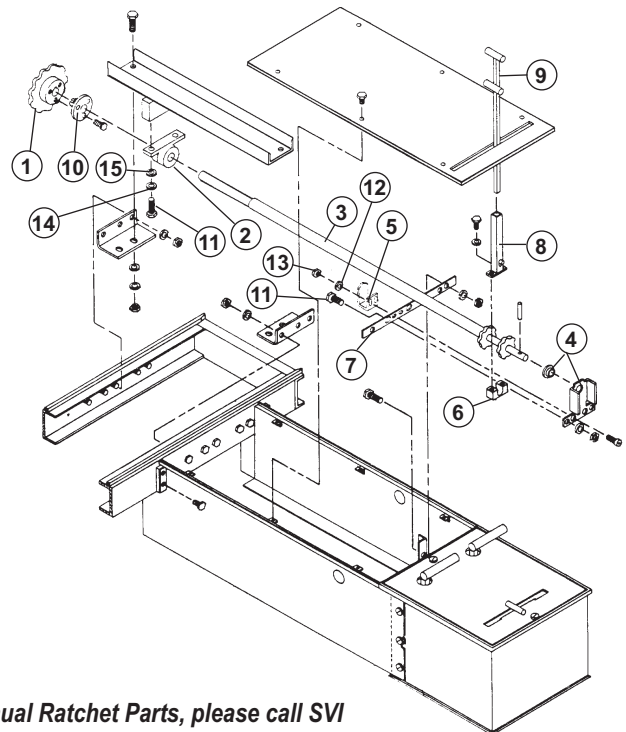
BH-9716
Spring Inside Handle
(Ball Valve Style)

Item	SVI #	OEM #	Req.	Description
	BH-9716	R13325	1	Wall Mount Oil Control Valve
	BH-9323-11 (NLA)	R14467	1	Floor Mount Oil Control Valve
1	BH-9323-01	N19628	1	Valve Spring
2	BH-9323-02	N19630-01	1	Valve Handle Cover
3	BH-9323-03	R14641-02	1	Valve Handle
4	BH-9323-04	N19626	1	Valve Mandrel Assembly
5	F-HC-0375-16-0750	K01901	2	Hex Head Cap Screw
6	F-LW-0375	K50775	2	Lockwasher
7	BH-9323-06	K82287-24	1	Self Locking Set Screw
8	BH-9323-07	Q10729-01	1	Shear Proof Pin
9	BH-9323-10	N19596	1	Oil Valve Body
10	BH-9323-12	N19625	1	Oil Valve Shaft and Mandrel
11	BH-9323-13	N19630-02	1	Valve Handle Cover
12	BH-9323-14	N19702	1	Ball Valve Stem (not shown)
--	BH-9323-15	N19633-02	1	Dynaquip Ball (not shown)
--	BH-9323-20	N19633-03	1	Seal Kit



Ratchet Assembly Components

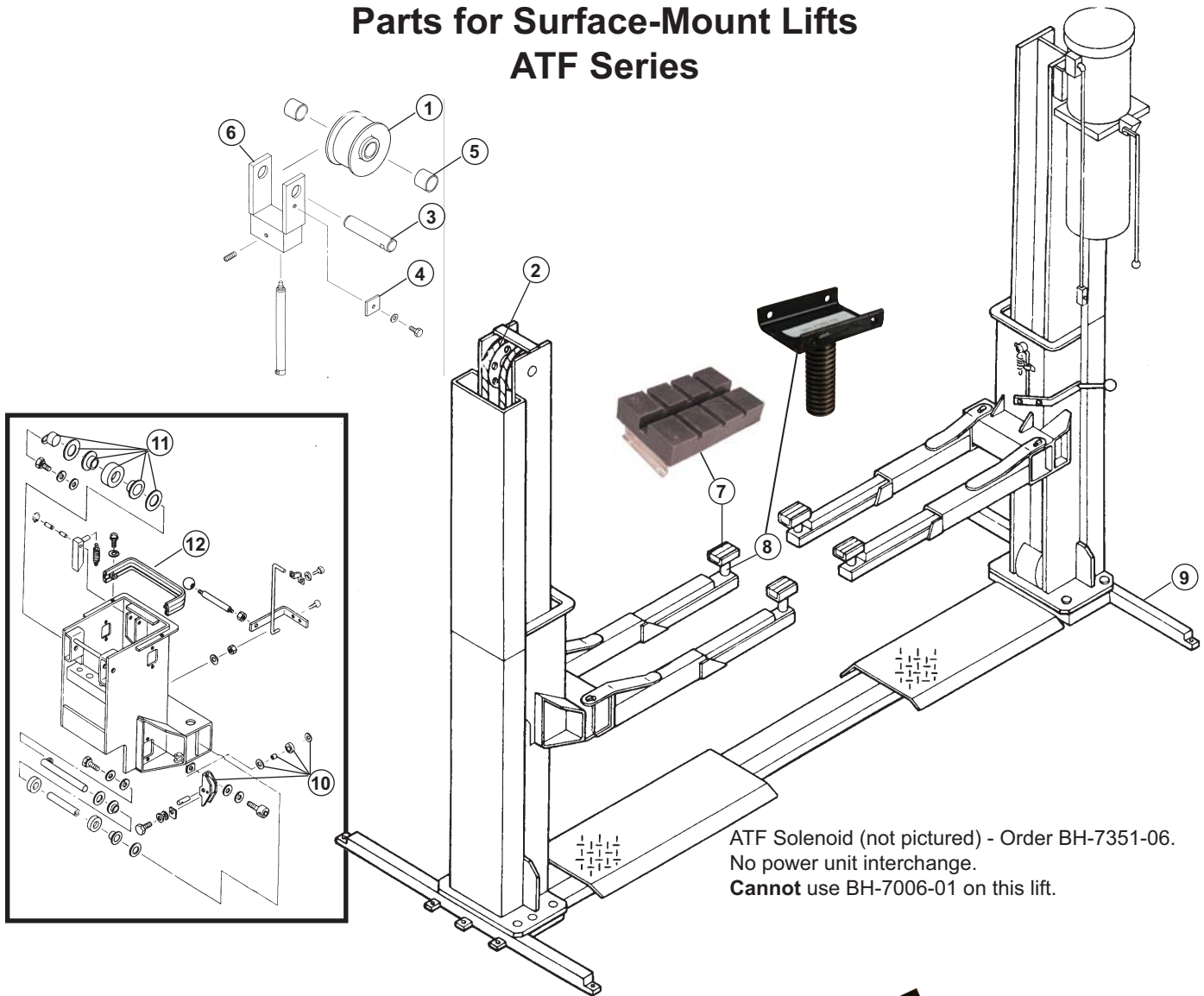
Item	SVI #	OEM #	Req.	Description
1	BH-9340-32	K90615	2	Sprocket
2	BH-9340-33	K90618	1	Pillow Block
3	BH-9340-34	N21717-01	1	Sprocket Shaft Assy. 10-5/8"
	BH-9340-34A	N21717-02	1	Sprocket Shaft Assy. 8-1/2"
4	BH-9340-35	N21470	1	Ratchet Support Assembly
5	BH-9340-36	K95071	1	Stop Bracket
6	BH-9340-39	K90609	1	Ratchet Pivot Block
7	BH-9340-47	N21460	1	Ratchet Support Bar
8	BH-9340-48	N23035	1	Handle Holder Assembly
9	BH-9340-49	R16171-01	1	Ratchet Handle
10	BH-9340-50	K90616	2	Split Taper Bushing
11	F-HC-0375-16-1000	K01902	12	Hex Head Cap Screw
12	F-LW-0250	K43948	4	Lock Washer
13	F-HN-0250-20	K01941	2	Hex Nut
14	F-LW-0375	K50775	18	Lock Washer
15	F-FW-0375-SAE	K02206	8	Flat Washer



For Manual Ratchet Parts, please call SVI



Parts for Surface-Mount Lifts ATF Series



ATF Solenoid (not pictured) - Order BH-7351-06.
No power unit interchange.
Cannot use BH-7006-01 on this lift.

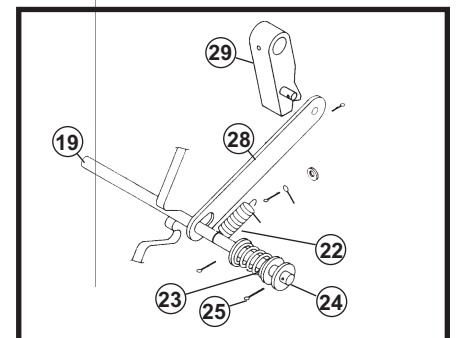
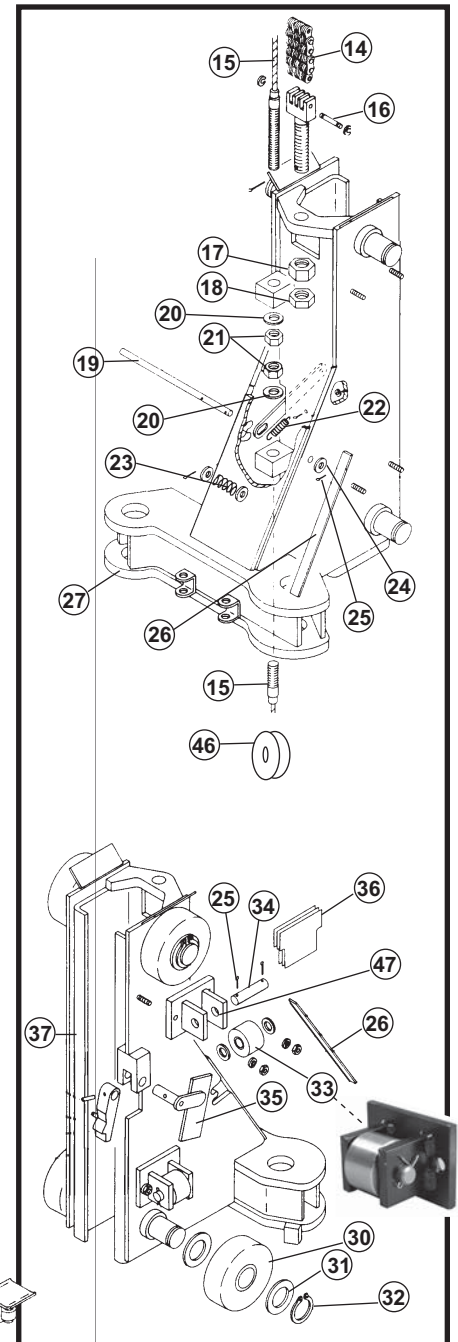
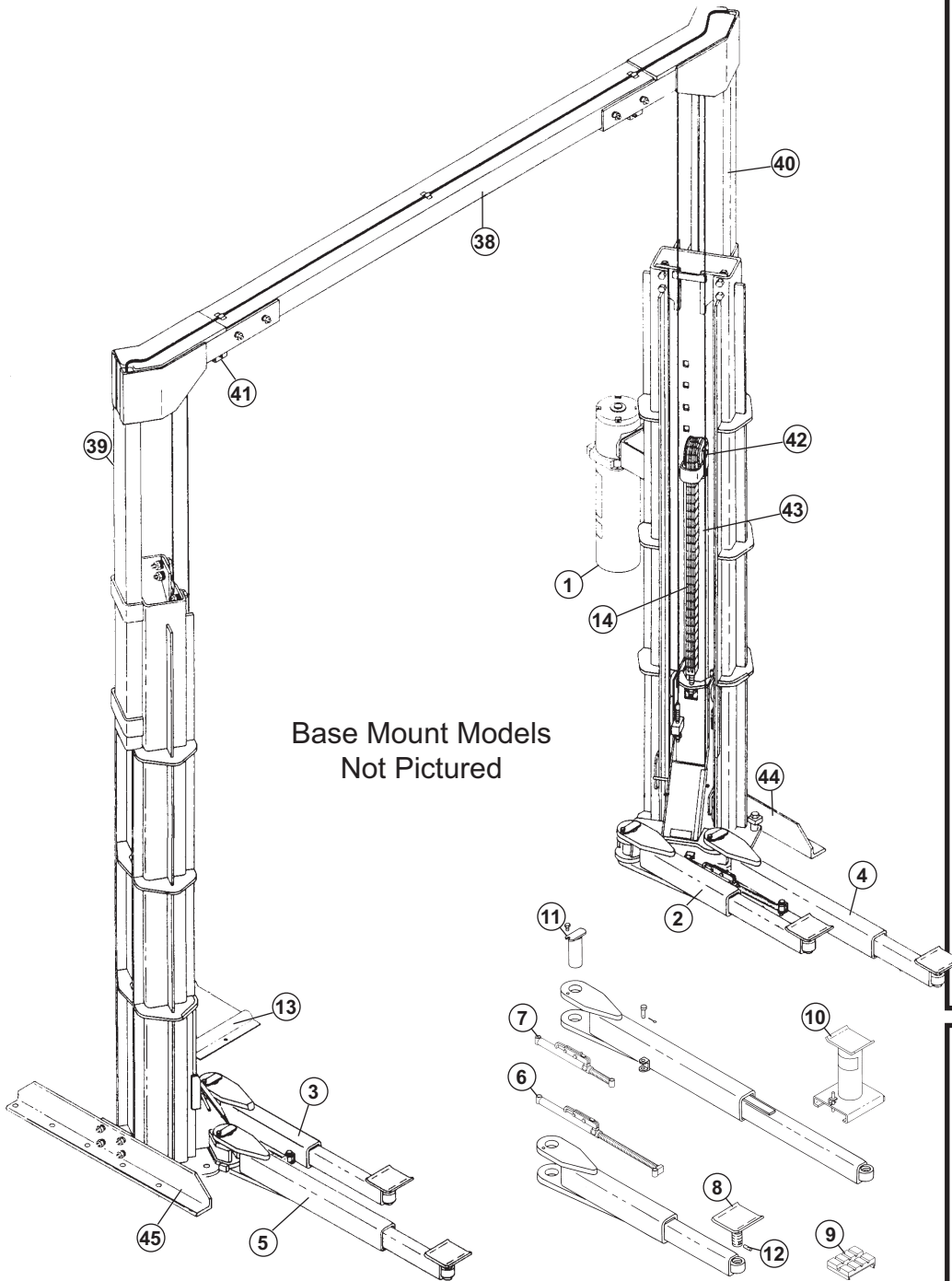


**BH-7352-01
Height Extension
Adapter**

Item	SVI #	OEM #	Req.	Description
1	BH-7351-07	R18220-02	1	Pulley (chain)
2	BH-7350-03	R18220-01	4	Pulley (2T-2B)
	BH-7350-04	R18220-10	2	Cable
3	BH-7351-09	R18220-34	1	Shaft for pulley on cylinder
4	BH-7350-93	R18220-61	1	Shaft Retainer
5	BH-7351-10	R18220-15	2	Bearing
6	BH-7351-08	R18220-33	1	Pulley Support
7	BH-7352-03	K34314	4	Pad
8	BH-7352-02	R18220-51	4	Pickup Pad Support
--	BH-7352-01	K34155	4	Height Extension Adapter

Item	SVI #	OEM #	Req.	Description
9	BH-7351-11	R18220-75	1	Aux. Base Frame
10	BH-7351-01	R18220-300	2	Side Roller Kit (ATF70/70B)
	BH-7351-04	R18220-303	2	Side Roller Kit (ATF55)
11	BH-7351-02	R18220-301	1	Drive Carriage Roller Kit
	BH-7351-03	R18220-302	1	Slave Carriage Roller Kit
12	BH-7350-94	R18220-13	2	Buffer
	BH-7350-95	R18220-63	2	Buffer Support
---	BH-7351-05	N21757	1	Connector and Cable Assy.

Parts for Surface-Mount Lifts
CFF/GFF 70/90
CBT/GBT 70/90





Parts for Surface-Mount Lifts: CFF/GFF 70/90 and CBT/GBT 70/90

Item SVI #	OEM #	Req.	Description
1	BH-7006-01	C-723-23	1 Power Unit (Single Phase)
2	BH-7350-60	C-675-44	1 Short Arm Assy (Drive Side)
	BH-7350-61	C-675-61	1 Short Drive Side Arm (CFF-70N)
	BH-7350-70	C-681-30	1 Short Drive Side Arm (CFF-90)
	BH-7350-68	C-681-01	2 Short Arm (GFF-90 Gilbarco)
	BH-7350-76	C-690-20	2 Arm Assy. Right (CBT-70)
	BH-7350-79	C-696-15	2 Arm Assy. Right (CBT-90)
	BH-7350-58	C-675-17	2 Short Arm (GFF-70 Gilbarco)
3	BH-7350-61	C-675-45	1 Short Arm Assy. (Slave Side)
	BH-7350-67	C-675-62	1 Short Slave Side Arm (CFF-70N)
	BH-7350-71	C-681-31	1 Short Slave Side Arm (CFF-90)
	BH-7350-69	C-681-03	2 Long Arm (GFF-90 Gilbarco)
	BH-7350-77	C-690-21	2 Arm Assy. Left (CBT-70)
	BH-7350-80	C-696-16	2 Arm Assy. Left (CBT-90)
4	BH-7350-62	C-675-46	1 Long Arm Assy. (Drive Side)
	BH-7350-72	C-681-32	1 Long Drive Side Arm (CFF-90)
	BH-7350-57	C-675-16	2 Long Arm (GFF-70 Gilbarco)
	BH-7350-75	C-690-08	4 Arm Assy (GBT-70 Gilbarco)
5	BH-7350-63	C-675-47	1 Long Arm Assy. (Slave Side)
	BH-7350-73	C-681-33	1 Long Slave Side Arm (CFF-90)
6	BH-7351-64	C-727-10	2 Arm Restraint Long 15-1/4
7	BH-7351-63	C-727-09	2 Arm Restraint Short 12-1/4
8	BH-7350-44	B-100-62	4 Lift Pad Base
9	BH-7350-00	K93223	4 Rubber Arm Pad
10	BH-7353-19		4 6" Slip on Height Extension
11	BH-7351-12	B-100-150	4 Arm Pin (CFF-70)
	BH-7350-43	B-100-61	4 Arm Pin (GFF-70 Gilbarco)
	BH-7351-13	B-109-46	4 Arm Pin (CFF-90)
	BH-7350-47	B-109-16	4 ArmPin (GFF-90 Gilbarco)
	BH-7351-14	B-115-29	4 Arm Pin (CBT-70)
	BH-7351-15	B-120-19	4 Arm Pin (CBT-90)
12	RP-125-1000	A-491-102	4 Roll Pin
13	BH-9701	T07915	1 Wheel Spotter Dish
14	BH-7029	A-494-62	1 Leaf Chain
15	BH-7350-01	B-100-43	2 Equalizer Cable (CFF-70)
	BH-7350-45	B-100-89	2 Equalizer Cable (CFF-70S)
	BH-7351-16	B-100-95	2 Equalizer Cable (CFF-70N)
	BH-7350-46	B-109-15	2 Equalizer Cable (CFF-90)
	BH-7351-17	R18230-98	2 Equalizer Cable (CFF-90A)
	BH-7351-18	B-115-44	2 Equalizer Cable (CBT-70)
	BH-7350-49	B-115-30	2 Equalizer Cable (GBT-70)
	BH-7350-50	B-120-03	2 Equalizer Cable (CBT-90)

Item SVI #	OEM #	Req.	Description
16	BH-7351-19	A-494-20	1 Chain Pin
17	F-HN-0875-9	A-492-17	1 Hex Nut
18	F-JN-0875-9	A-491-104	1 Jam Nut
19	BH-7350-06	A-491-20	1 Safety Dog Lever
20	F-FW-0625-SAE	B-102-35	2 Flat Washer
21	F-NL-0625-11	A-491-103	2 Nylon Nut
22	BH-7350-11	A-491-32	1 Extension Spring
23	BH-7350-10	A-491-31	1 Compression Spring
24	F-FW-0375-USS	B-103-12	3 Flat Washer
25	F-CP-125-1000	A-493-14	11 Cotter Pin
26	BH-7350-18	A-491-106	1 Rubber Bumper Angle
27	BH-7350-82	D-1128-05	1 Carriage Complete GFF-70
28	BH-7350-09	A-491-29	1 Safety Dog Link
29	BH-7350-23	A-491-266	1 Safety Dog (CFF/CBT-70)
	BH-7350-24	A-494-09	1 Safety Dog (GFF/GBT-90)
	BH-7350-26	A-494-54	1 Safety Dog (CFF/CBT-90)
30	BH-7350-34	B-100-17	4 Main Roller
31	BH-7351-20	A-491-36	8 Thrust Washer
32	BH-7351-21	A-491-37	4 Retaining Ring
33	BH-7350-08	A-491-22	4 Side Roller
	BH-7350-35K		Side Roller Kit (one)
34	BH-7350-07	A-491-21	4 Side Roller Pin
35	BH-7350-36	B-100-20	1 Counter Weight
36	BH-7351-22	A-491-93	4 Shim
37	BH-7350-83	D-1128-06	1 Carriage Complete (GFF-70)
38	BH-7350-87	D-1128-18	1 Center Bridge (CFF-70)
39	BH-7350-86	D-1128-12	1 Bridge Support Slave Side
39	BH-7350-92	D--1144-12	1 Bridge Support (CFF-90)
40	BH-7350-85	D-1128-11	1 Bridge Support Drive Side
41	BH-7350-15	A-491-64	1 Limit Switch Cushion
42	BH-7350-48	B-109-18	1 Chain Roller (CFF-70/90)
	BH-7350-37	B-100-27	1 Chain Roller (GFF-70/90)
	BH-7350-25	A-494-22	1 Chain Roller Shaft
43	BH-7350-74	C-681-46	1 Hydraulic Cyl (CFF-70/90) - Need S/N
	BH-7350-02	K34159	1 Cylinder Seal Kit
44	BH-7350-38	B-100-29	1 Base Angle (Drive Side)
45	BH-7350-39	B-100-30	1 Base Angle (Slave Side)
46	BH-7350-40	B-100-41	2 Cable Sheave
47	BH-7350-35	B-100-19	4 Side Roller Bracket

Hoses:

--	BH-7352-04	A-491-73	1 373" Hose
--	BH-7352-05	A-491-72	1 31" Hose
--	BH-7352-06	A-491-71	1 21" Hose

Turf Lift Accessories

**For Your 2-Post Manitowoc Lift
or Have It *Customized* to Fit Most Any Other Brand of Lift!**

If your customers want to convert standard lifts over for turf applications, SVI can help. These turf accessories, originally made for 2-post Manitowoc Lifts can be made to fit many existing 2-post surface lifts. Call with your needs and outer arm tube dimensions to get the price and delivery date. SVI is equipped to get you custom products for these turf lift accessories, among many other products.



**Turf Fork Kit
with Turf Tray**



Turf Fork Kit



Turf Attachment Kit

SVI #	Description
K34346	Turf Attachment Kit for: CBT 70 and CBT 90
K34339	Turf Attachment Kit for: CLT 8000, CLT 9000, CL9000, CFF-10000, MLT 8000, and MLT 9000
K34365	Turf Fork Kit which is universal for Manitowoc surface mount lifts.

Did you know? Manitowoc Lifts and Manufacturing (MLM) is an SVI Company.



*Manitowoc Lifts
and Manufacturing*

SVI is proud to have acquired the assets of Manitowoc Lifts on November 10, 2010. Manitowoc Lifts is now an SVI Brand. Manitowoc Lifts and Manufacturing (MLM), an SVI Company, continues to produce the product line and lift models to the same robust specifications.

Many more parts are available than what is listed in this catalog!

Please call our friendly, educated staff today: 800-321-8173



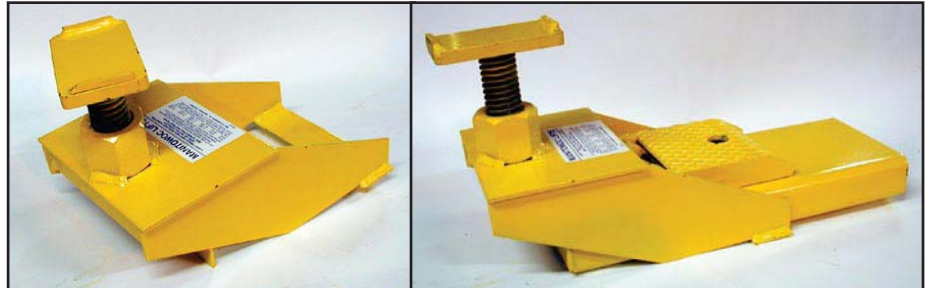
Commonly Requested Parts for Manitowoc/Gilbarco

Many more parts are available than what is listed in this catalog!

Please call our friendly, educated staff today: 800-321-8173



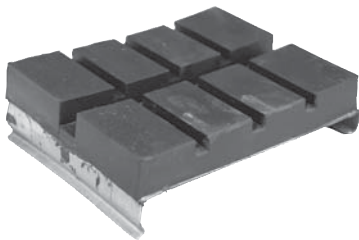
BH-9380-03
Drop-On
Height
Extension
with Pad



BH-9380-01 (OEM: K34154)

For Use on Models: A-1AB1, A-1AB2, A-1AB3, A-1AB4,
A-12D3, A-12D4, A-12E3, AND A-12E4

Kit includes four (4) adapters for use on 1-3/4" Thick Swing Arms Only. Adjustable pad raises from 7-3/4" to 12" off the ground. Lifts light trucks and vans.

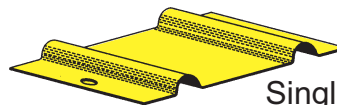


BH-7352-03
Rubber Pad
(used on ATF models)

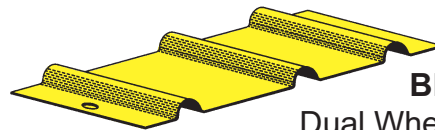


BH-7350-00
Rubber Pad
(used on CFF & GFF models)

**The widest spotters in the industry—
15" fits a variety of vehicles**



BH-9701
Single Wheel Dish



BH-9702
Dual Wheel Dish

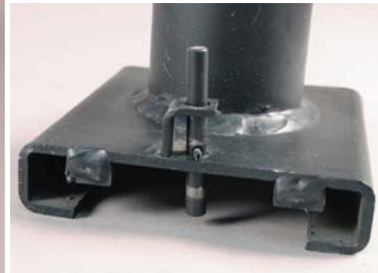


BH-7352-18 (K93216) - 4" Height Adapter Kit
For Use on Models: CFF-70, CFF-70N, CFF-70S,
CFF-90, CFF-10,000, CBT-70, CBT-90, and CL-9000
Kit includes four (4) adapters. Adapters lock onto lift pads.



BH-7352-01 (K34155) - 5" Height Adapter
For Use on GILBARCO Models:
ATF-70B, ATF-70, and ATF-55
Sold individually. If you need a full kit of 4,
just let us know. Adapters lock onto lift pads.

Commonly Requested Parts for Manitowoc/Gilbarco



B-100-69 (K93218)

8" Height Adapter

For Manitowoc Models:

Sold individually. If you need a full kit of 4,
just let us know. Adapters lock onto lift pads.

**TERMS AND CONDITIONS OF THE
SALES ORDER
FOR SVI INTERNATIONAL, INC.**

1. **GENERAL.** The terms and conditions of sales order outlined herein shall apply to the sale by SVI INTERNATIONAL, INC. (hereinafter referred to as "Company") of the items described on the facing page (hereinafter referred to as "Merchandise") to Purchaser.
2. **DELIVERY.** Delivery shall be deemed to be complete when the Merchandise has been shipped F.O.B. Company's plants in DeKalb, Illinois, Duarte, California; and Baltimore, Maryland ("Company's plants"). Shipments are subject to delays from causes or contingencies beyond the reasonable control of the Company. When otherwise not specified, shipments will be made in standard containers via carrier which, in the judgment of the Company, will result in the most practical method. Title and right of possession will pass to the Purchaser upon receipt by the carrier at the shipping point. If a customer of the Company should specify a specific carrier's method of shipment (i.e. UPS Next Day Air) and that carrier does not perform to the customer's expectations, freight credit to a customer's account will not be issued unless the Company can first obtain a credit.
3. **RISK OF LOSS.** Identification of the Merchandise under Uniform Commercial Code (hereinafter referred to as "UCC") Section 2-501 shall take place at the moment of shipment F.O.B. Company's plants. Risk of loss shall pass to the Purchaser when the Merchandise is shipped from the Company's plants.
4. **TITLE.** Title to the merchandise shall transfer to the Purchaser when the Merchandise is shipped from the Company's plants.
5. **WARRANTIES.** The Company guarantees its products to be free from defects in workmanship and raw materials for a period of one year from date of purchase. THIS WARRANTY IS EXPRESSLY IN LIEU OF ANY AND ALL WARRANTIES EXPRESS OR IMPLIED. COMPANY DOES NOT WARRANT THE MERCHANDISE IS MERCHANTABLE OR FIT FOR ANY PARTICULAR PURPOSE. Company's liability for breach of the terms of this Agreement, including any warranty, is limited to either refund of the invoice price of the Merchandise or at Company's option, replacement of the Merchandise free of charge, including transportation charges but not including the cost of labor. Purchaser has not relied on any statement or upon the conduct of Company with respect to the prospective use of the merchandise. Company shall not be liable for and Purchaser waives any and all claims for any loss or damage, directly or indirectly, arising from the use of the Merchandise and for punitive, incidental or consequential damages, including, but not limited to, damages to property, for loss of use, loss of time, loss of profit or loss of income. The Company does not authorize the sale of our products under any other warranty, expressed or implied.
6. **SETOFF.** All claims for money due or to become due from the Company shall be subject to deduction by the Company for any setoff or counterclaim arising out of this or any other claims of the Company or its affiliated companies, whether such setoff or counterclaim arose before or after any assignment by Purchaser.
7. **INDEMNIFICATION.** Purchaser agrees to indemnify the Company and hold it harmless from and against all claims, liability, loss, damage or expense, including reasonable counsel fees, arising from or by reason of any modifications or alterations made by Purchaser. If a customer of the Company modifies or alters any part, in any manner whatsoever, or uses any part in departure from recommended performance specifications, said customer agrees to indemnify and hold the Company harmless from and against all liability and expenses based on damage to property or injury to or death of any person arising out of or attributable to such modified or altered part. Further, the Company will not accept any such modified or altered part for credit to a customer's account.
8. **FREIGHT POLICY.** Freight charges on individual orders less than \$3,000 in net value are prepaid and added to invoice or collect F.O.B. shipping point. Freight charges (standard ground service and continental US only) on individual orders more than \$3,000 net value are paid by the Company F.O.B. shipping point. Note: customers with C.O.D. terms are responsible for all carrier C.O.D. fees regardless of order net value.
9. **RETURN POLICY.** To return parts for credit or inspection Purchaser must first contact the Company to obtain a Return Goods Authorization number (RGA#). Once Purchaser has obtained an RGA# the parts can be returned freight prepaid only. The RGA# must be on the outside of the container in a highly visible location. All parts must be returned freight prepaid and the shipment must include a letter of explanation giving the specific reason for return including details as to the conditions under which the part or parts operated. Note: parts returned without an RGA#, freight collect or without written explanation may be refused. Parts which have been used in any way or manner, including any installation or incorporation into a lift or hoist, shall NOT be eligible for return whether or not an RGA has been assigned.
10. **RESTOCK CHARGE.** Returns are subject to up to twenty-five (25%) restocking charge. Refusals are subject to the same restocking charge plus the cost of outbound and return freight charges and/or fees incurred by the Company due to shipment refusal.
11. **PRICES AND PAYMENTS.** All prices are subject to change without notice. All prices are F.O.B. shipping point. The Company standard terms are net 30 days, C.O.D. company check, C.O.D. cash, VISA, MasterCard, Discover or American Express. However, if in the judgment of the Company, the financial condition of the Purchaser at any time does not justify shipment according to standard terms of payment, the Company may require full or partial payment in advance.
12. **INTERPRETATION.** This sales order is intended by the parties as a complete and exclusive statement of the terms of their agreement. It supersedes all prior agreements, written or oral. No course of prior dealings between the parties and no usage of the trade shall be relevant to supplement or explain any terms used in this sales order. Acceptance or acquiescence in a course of performance rendered under this purchase order shall not be relevant to determine the meaning of this sales order even though the accepting or acquiescing party has knowledge of the nature of the performance and opportunity for objection. Whenever a term defined by the UCC is used in this sales order the definition contained in the UCC shall control.
13. **MODIFICATION.** This sales order can be modified or rescinded only by a writing signed by both parties.
14. **WAIVER.** No claim or right arising out of a breach of this sales order can be discharged in whole or in part by a waiver or renunciation of the claim or right unless such waiver or renunciation is supported by consideration and is in writing signed by the aggrieved party.
15. **ASSIGNMENT.** No right or interest in this sales order shall be assigned by either party without the written consent of the other and no delegation of any obligation owed, or of the performance of any obligation by either the Company or Purchaser shall be made without the written consent of the other party. Any attempted assignment or delegation not made in conformity with this paragraph shall be wholly void and totally ineffective for all purposes.
16. **TIME TO PERFORM AND BRING ACTION.** Time is of the essence of this sales order. Any action for breach of this sales order shall be commenced within two (2) years after the cause of action has accrued. Any party who loses any litigation shall reimburse the other party for costs including reasonable attorneys fees. The exclusive jurisdiction for any legal action shall be the Circuit Court of DeKalb County, Illinois.
17. **APPLICABLE LAW.** This sales order shall be governed by the UCC of Illinois as effective and in force on the date of this sales order.