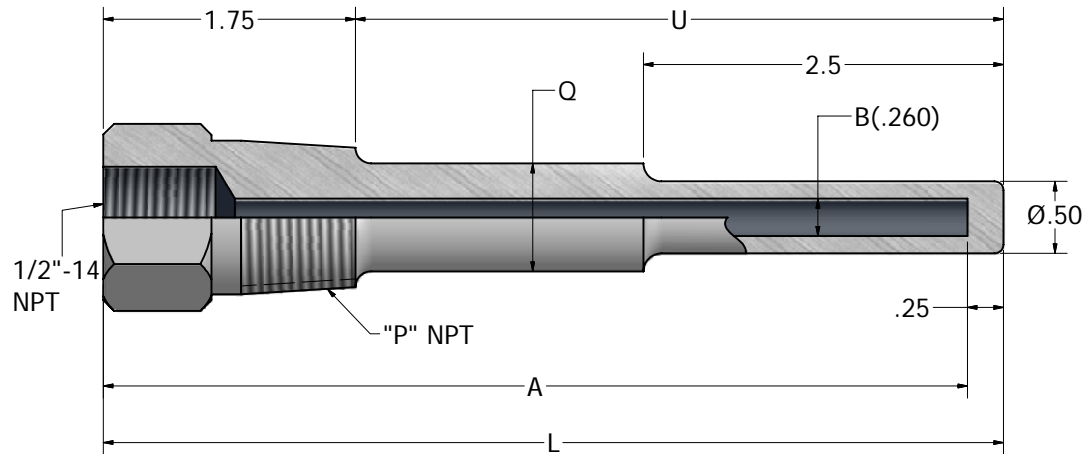


REOTEMP INSTRUMENTS Product drawing

THERMOWELL WITH:

- Threaded Process Connection
- Stepped Shank



Reotemp Part#: **ST6316**

Material: **316 Stainless (std)**

Dimensions (inches):

| | |
|---------------------|------------------------------------|
| Bore Dia. B: | .260" bore, for 1/4" dia. Element" |
| Element Length A: | 6" |
| Overall Length L: | 6.25" |
| Insertion Length U: | 4.5" |
| Process P: | 3/4" NPT (std) |
| Shank dia. Q: | .750" |

Options included (not depicted in Dwg.)

| | |
|-----------|--|
| Option 1: | |
| Option 2: | |
| Option 3: | |
| Option 4: | |
| Option 5: | |
| Option 6: | |
| Option 7: | |
| Option 8: | |

Drawing No.: **TWC-TP-ST6316**

Data production date: 01/24/2010

THIS DRAWING AND SPECIFICATIONS ARE THE PROPERTY OF REOTEMP INSTRUMENT CORP., AND ARE ISSUED IN STRICT CONFIDENCE AND SHALL NOT BE REPRODUCED, COPIED OR USED AS THE BASIS FOR MANUFACTURE OR SALE OF ITEMS DEPICTED HEREIN WITHOUT WRITTEN PERMISSION FROM REOTEMP INSTRUMENT CORP.

NOTES (UNLESS OTHERWISE SPECIFIED)

- 1) DIMENSIONS ARE IN INCHES
- 2) DIMENSIONS ARE SUBJECT TO CHANGE. FINAL DIMENSIONAL VERIFICATION CAN BE REQUESTED AT TIME OF ORDER.

| REVISIONS | | | |
|-----------|-----------------|---------|----------|
| REV | DESCRIPTION | DATE | APPROVED |
| X1 | INITIAL RELEASE | 5/14/10 | MO |
| | | | |
| | | | |
| | | | |

| | | | |
|--|------------|--|--------------|
| PART NAME THERMOWELL, THREADED, STEPPED SHANK | | | |
| UNLESS OTHERWISE SPECIFIED DIMENSIONS ARE IN INCHES TOLERANCES ARE: | | REOTEMP Instrument Corporation | |
| FRACTIONS DECIMALS ANGLES ±1/32 .X ±.03 ±5° .XX ±.01 .XXX ±.005 | | 10656 Roselle Street San Diego, CA 92121 USA Phone: (858) 784-0710 Fax: (858) 784-07-20 | |
| DATE 5/14/10 | | DRAWN BY JHRichter | |
| APPROVED MO | | | |
| PART NO | SIZE | CAGE CODE | BASE DWG NO |
| SEE CHART | C | 24793 | TWC-TP |
| FIRST USED ON | SCALE: NTS | FILE NAME: CF | REV X1 |
| | | | SHEET 1 OF 1 |