

## SINGLE VALVE BLOCK & BLEED



REOTEMP's single valve block and bleed allows users to isolate pressure to their instrument, bleed off excess process, and remove an instrument without disturbing or shutting down the system. A variety of options are available to suit just about every application.

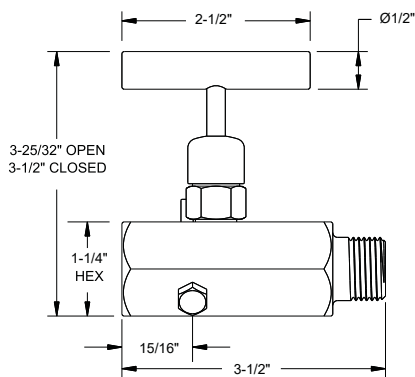
### FEATURES / BENEFITS

- 0.090" Bleed Hole Controlled by a 1/4"-20 UNF-2A Bleed Screw
- FKM O-ring Seal and PTFE Back-up Ring Below the Stem Threads to Protect from Corrosion and Galling; Soft Seat Comes Standard with Delrin Seat
- PTFE or Grafoil Packing Optional
- All Stems are 316SS
- Vinyl Dust Cap for Bonnet & Stem (Non-packing)
- Rolled Threads for Strength Durability, and Ease of Use
- All Valves are Helium Leak Tested for Optimal Performance

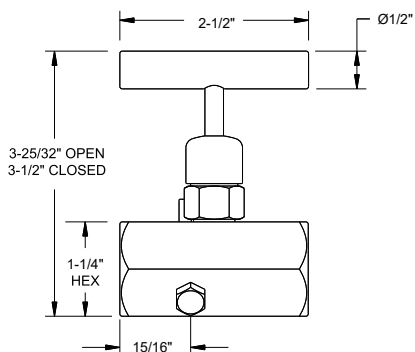
### SPECIFICATIONS

<b>Body Material</b>	316 Stainless Steel, Zinc-nickel Plated Carbon Steel
<b>Pressure Rating</b>	Hard Seat - 10,000 psi at 200°F, Soft Seat - 6,000 psi at 200°F.
<b>Temperature Rating</b>	Standard up to 200°F; Available up to 1,000°F. See Pressure/Temperature Charts on Page 97 for More Detailed Information.
<b>Orifice</b>	0.187"
<b>Flow</b>	Hard Seat C <sub>v</sub> : 0.44, Soft Seat C <sub>v</sub> : 0.76
<b>Connections</b>	1/4" or 1/2"

VALVES

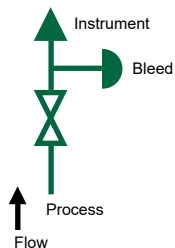


Male-Female



Female-Female

**HOW TO ORDER:** Choose options to build a part number. For example: **G10H22S-P1NC**



MODEL	SEAT TYPE	CONNECTION SIZE	MATERIAL	OPTIONS
<b>G10</b>	<b>H</b>	<b>22</b>	<b>S</b>	<b>-P1NC*</b>
<b>G10</b> = Single Valve Block & Bleed	<b>H</b> = Hard Seat <b>S</b> = Soft Seat	<b>44</b> = 1/4" MxF <b>4F</b> = 1/4" FxF <b>22</b> = 1/2" MxF <b>2F</b> = 1/2" FxF	<b>C</b> = Carbon Steel <b>S</b> = Stainless Steel <b>H</b> = Hastelloy C <b>M</b> = Monel	<i>Available on G10:</i> <b>-P1</b> = PTFE Packaging  <i>Available on G10H:</i> <b>-P2</b> = Grafoil Packing (316SS Body Rating 1,000°F at 1,500 psi)

\*See 98 for Additional Options

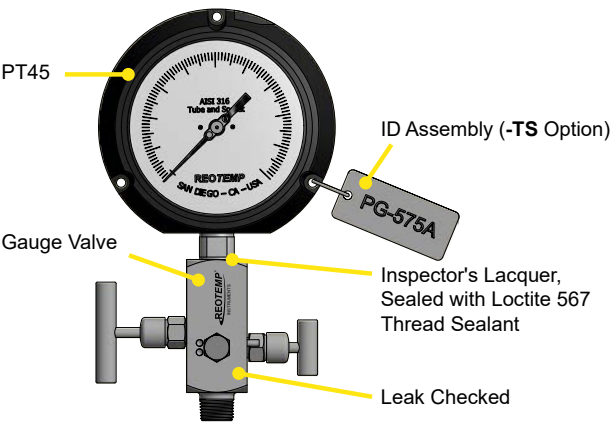
## INSTRUMENT & VALVE ASSEMBLIES

REOTEMP offers in house mounting services by preinstalling pressure (or dP) instrumentation on valve assemblies prior to shipping to allow for stress free/easy installation. Select from a variety of standard designs or contact your REOTEMP customer service representative to design a custom assembly to suit your desired application.

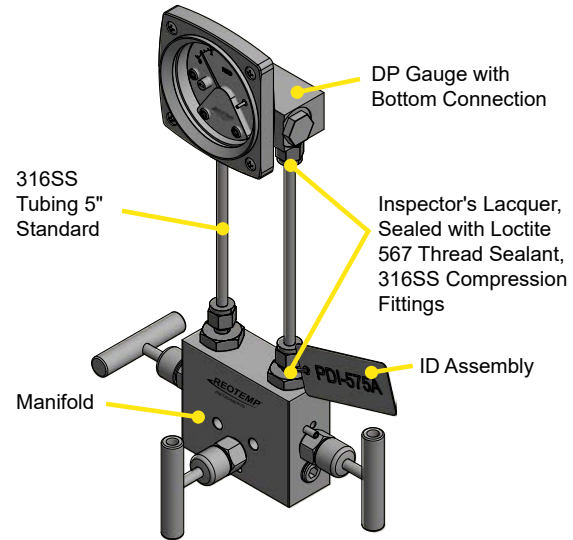
- ✓ Inspector's Lacquer & Threads Sealed with Loctite 567™
- ✓ 100% Argon Leak Checked (Maximum 1,000 psi)
- ✓ Optional ID Tag for Complete Assembly
- ✓ Packaged for Out of Box Installation
- ✓ DP Assemblies Mounted with 316SS Compression Fittings & 316 Tubing
- ✓ To Customize Your Design Contact REOTEMP Customer Service

**HOW TO ORDER:**  
Choose options to build a part number.

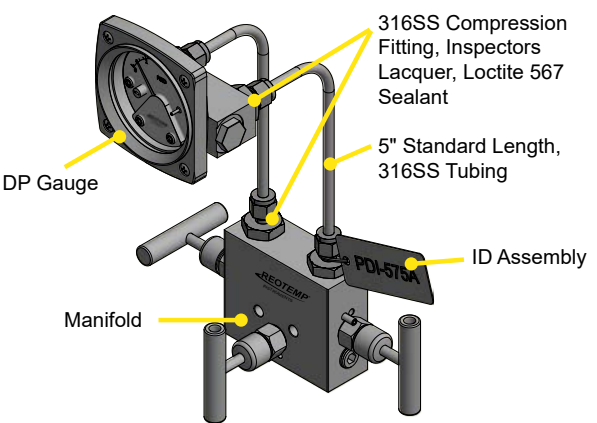
<b>PT45P1A2P20-D-T-TS</b>	<b>// G20H22S</b>	<b>-A1</b>
<b>SELECT PRESSURE GAUGE</b>	<b>SELECT VALVE</b>	<b>SELECT MOUNT</b>



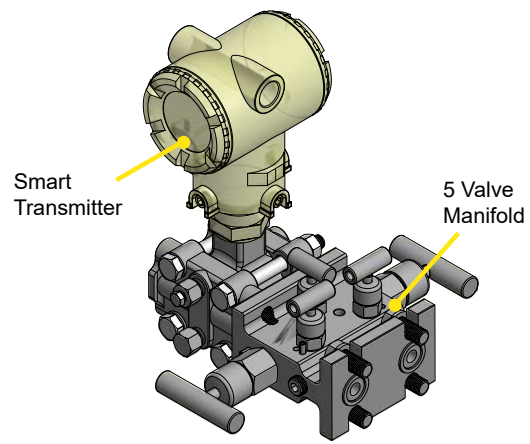
**-A1** Valve mounted to pressure instrument. (Example: Gauge, Switch Direct Mount or Transmitter.)



**-A4** Bottom mounted differential pressure gauge to manifold.



**-A5** Back mounted threaded differential pressure gauge to manifold.



**-A6** Differential transmitter to manifold.

VALVES

## VALVE OPTIONS



Visit [reotemp.com](http://reotemp.com)

- ✓ Check Stock
- ✓ Get Price
- ✓ Configure Part #
- ✓ Download PDF Data Sheets

		G10	G20	G30	G40	N10	M2PH	M2PS	M2LH	M2LS	M2M	M30H	M30S	M3M	M50H	M50S
<b>PACKING/O-RINGS</b>																
P1	PTFE Packing	✓	✓	✓	✓	✓	✓	✓	✓	✓	✓	✓	✓	✓	✓	✓
P2	Grafoil Packing	H	H	H	H	H	✓	N/A	✓	N/A	✓	✓	N/A	N/A	✓	N/A
P3	EPDM O-Ring	✓	N/A	N/A	N/A	N/A	N/A	N/A	N/A	N/A	✓	N/A	N/A	✓	N/A	N/A
P4	FFKM (Kalrez 3018) O-Ring	✓	N/A	N/A	N/A	N/A	N/A	N/A	N/A	N/A	✓	N/A	N/A	✓	N/A	N/A
P5	NBR O-Ring	✓	N/A	N/A	N/A	N/A	N/A	N/A	N/A	N/A	✓	N/A	N/A	✓	N/A	N/A
<b>SOFT SEATS</b>																
S1	PEEK	S	S	S	S	S	N/A	N/A	N/A	N/A	N/A	N/A	N/A	N/A	N/A	✓
S2	PCTFE	S	S	S	S	S	N/A	N/A	N/A	N/A	N/A	N/A	N/A	N/A	N/A	✓
<b>STEM TIPS</b>																
T1	Non-Rotating SS Stem Tip	✓	✓	✓	✓	✓	✓	✓	✓	✓	✓	✓	✓	✓	✓	✓
T5	Ball (440C Stainless) Stem Tip	H	H	H	H	H	✓	N/A	✓	N/A	N/A	✓	N/A	N/A	✓	N/A
T6	Ball (Carbide) Stem Tip	H	H	H	H	H	✓	N/A	✓	N/A	N/A	✓	N/A	N/A	✓	N/A
T7	Ball (Ceramic) Stem Tip	H	H	H	H	H	✓	N/A	✓	N/A	N/A	✓	N/A	N/A	✓	N/A
T8	Ball (Monel) Stem Tip	H	H	H	H	H	✓	N/A	✓	N/A	N/A	✓	N/A	N/A	✓	N/A
T9	Regulating Hard Stem Tip	H	H	H	H	H	✓	N/A	✓	N/A	N/A	✓	N/A	N/A	✓	N/A
<b>MOUNTING OPTIONS</b>																
M1	CS 2" Pipe Mounting Bracket	N/A	✓	✓	N/A	N/A	N/A	N/A	N/A	N/A	N/A	✓	✓	✓	✓	✓
M2	SS 2" Pipe Mounting Bracket	N/A	✓	✓	N/A	N/A	N/A	N/A	N/A	N/A	N/A	✓	✓	✓	✓	✓
M3	1 Nut	✓	N/A	N/A	✓	✓	N/A	N/A	N/A	N/A	N/A	N/A	N/A	N/A	N/A	N/A
M4	2 Nuts	✓	N/A	N/A	✓	✓	N/A	N/A	N/A	N/A	N/A	N/A	N/A	N/A	N/A	N/A
<b>EXTRAS</b>																
NC	NACE Compliance MR0175*	✓	✓	✓	✓	✓	✓	✓	✓	✓	✓	✓	✓	✓	✓	✓
OX	Cleaned for O2 Service	✓	✓	✓	✓	✓	✓	✓	✓	✓	✓	✓	✓	✓	✓	✓
IH	Internal Hydrostatic Test	✓	✓	✓	✓	✓	✓	✓	✓	✓	✓	✓	✓	✓	✓	✓
PM	Positive Material ID	✓	✓	✓	✓	✓	✓	✓	✓	✓	✓	✓	✓	✓	✓	✓
EX	Extended Body Design	N/A	✓	N/A	N/A	N/A	N/A	N/A	N/A	N/A	N/A	N/A	N/A	N/A	N/A	N/A
RV	Right Vent	N/A	✓	✓	N/A	N/A	N/A	N/A	N/A	N/A	N/A	N/A	N/A	N/A	N/A	N/A
HP	1/2" Hex Plug	N/A	N/A	N/A	✓	N/A	✓	N/A	N/A	N/A	N/A	N/A	N/A	N/A	N/A	N/A
BP	1/2" Bleed Plug	N/A	STD	STD	✓	N/A	✓	N/A	N/A	N/A	N/A	N/A	N/A	N/A	N/A	N/A
BV	1/2" Bleed Valve	N/A	N/A	N/A	✓	N/A	✓	N/A	N/A	N/A	N/A	N/A	N/A	N/A	N/A	N/A
AN	90° Angled Body Design	N/A	N/A	N/A	N/A	✓	N/A	N/A	N/A	N/A	N/A	N/A	N/A	N/A	N/A	N/A
FC	CS Futbol	N/A	N/A	N/A	N/A	N/A	✓	✓	✓	✓	✓	✓	✓	✓	✓	✓
FS	SS Futbol	N/A	N/A	N/A	N/A	N/A	✓	✓	✓	✓	✓	✓	✓	✓	✓	✓
DC	CS Dielectric Kit	N/A	N/A	N/A	N/A	N/A	✓	✓	✓	✓	✓	✓	✓	✓	✓	✓
DS	SS Dielectric Kit	N/A	N/A	N/A	N/A	N/A	✓	✓	✓	✓	✓	✓	✓	✓	✓	✓
AC	CS Static Adaptors	N/A	N/A	N/A	N/A	N/A	✓	✓	✓	✓	✓	✓	✓	✓	✓	✓
AS	SS Static Adaptors	N/A	N/A	N/A	N/A	N/A	✓	✓	✓	✓	✓	✓	✓	✓	✓	✓

\*Available only on SS, Monel, & Hastelloy C-276 bodies.

✓	Indicates that the option is available
N/A	Indicates the option is not available
STD	The option comes standard
H	Only available on hard seated valves
S	Only available on soft seated valves

VALVES