

FATBOY SERIES

The Remco Fatboy Series is the most powerful pump for its size. Demanding industrial environments require precise engineering with high quality components. The Fatboy Series was designed with this in mind.



PRESSURE RANGE: 60 - 100 PSI

OPEN FLOW SETTING: 7.0 GPM

PUMP OPTIONS

- FLUID PORTS: 3/4" QUICK ATTACH OR 1/2" FNPT
- VOLTAGE: 12 / 24 VDC OR 115 VAC
- MATERIALS: VITON / SANTOPRENE / NYLON / POLY
- DEMAND / BYPASS / DUAL CONTROL / NO CONTROL
- MOTORS: HEAVY DUTY / SEALED / LOW OR HIGH SPEED
- PACKAGING: BULK / SINGLE BOX / RETAIL AVAILABLE
- MANY OTHER OPTIONS AVAILABLE

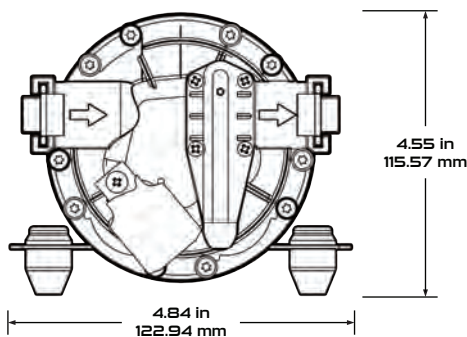
STANDARD FEATURES

- PROFESSIONAL GRADE QUALITY
- MADE IN THE UNITED STATES
- 100% FACTORY TESTED PERFORMANCE
- COMPLETELY SEALED MOTOR
- HIGH PERFORMANCE AT WORKING PRESSURE
- SUPERIOR VERTICAL PRIMING

TYPICAL APPLICATIONS

- LIQUID DEICING
- EQUIPMENT WASHDOWN
- ROAD MAINTENANCE
- AG AND INDUSTRIAL CHEMICAL SPRAYING
- DUST SUPPRESSION

PUMP DIMENSIONS

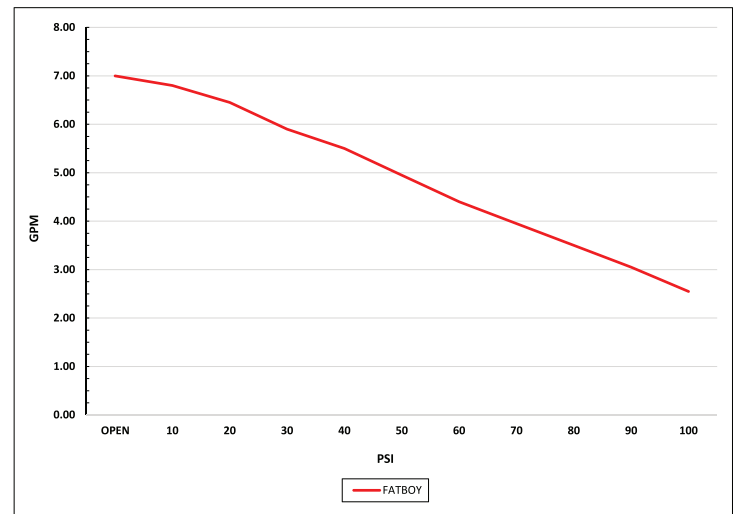


TECHNICAL INFORMATION

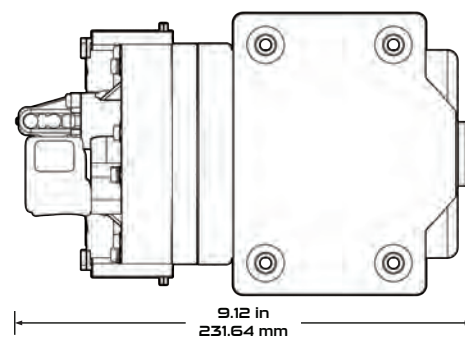
- 12 AWG - 12" LEAD WIRE / CUSTOM CONNECTION
- 14FT (4.0M) PRIMING CAPABILITY
- INTERMITTENT DUTY CYCLE
- DRY RUN CAPABILITY
- 140°F (60°C) MAX LIQUID TEMPERATURE
- 180°F (82°C) MAX MOTOR TEMPERATURE

PUMP PERFORMANCE

(PERFORMANCE MAY VARY)



(DIMENSIONS MAY VARY BY MODEL)



PUMP CONFIGURATIONS

(ADDITIONAL CONFIGURATIONS AVAILABLE)

STANDARD							
Item Number	Flow	Controls	Pressure	Valves	Diaphragm	Ports	Voltage
5518-1E1-94A	7.0 GPM (26.5 LPM)	DEMAND	60 PSI (4.1 BAR)	VITON	SANTOPRENE	3/4" QUICK ATTACH	12 VDC
5518-2E1-94A	7.0 GPM (26.5 LPM)	BYPASS	60 PSI (4.1 BAR)	VITON	SANTOPRENE	3/4" QUICK ATTACH	12 VDC
5538-1E1-94A	7.0 GPM (26.5 LPM)	DEMAND	60 PSI (4.1 BAR)	VITON	SANTOPRENE	1/2" FNPT	12 VDC
5538-2E1-94A	7.0 GPM (26.5 LPM)	BYPASS	60 PSI (4.1 BAR)	VITON	SANTOPRENE	1/2" FNPT	12 VDC

24 VDC							
Item Number	Flow	Controls	Pressure	Valves	Diaphragm	Ports	Voltage
5518-1E1-61A	7.0 GPM (26.5 LPM)	DEMAND	60 PSI (4.1 BAR)	VITON	SANTOPRENE	3/4" QUICK ATTACH	24 VDC
5518-2E1-61A	7.0 GPM (26.5 LPM)	BYPASS	60 PSI (4.1 BAR)	VITON	SANTOPRENE	3/4" QUICK ATTACH	24 VDC
5538-1E1-61A	7.0 GPM (26.5 LPM)	DEMAND	60 PSI (4.1 BAR)	VITON	SANTOPRENE	1/2" FNPT	24 VDC
5538-2E1-61A	7.0 GPM (26.5 LPM)	BYPASS	60 PSI (4.1 BAR)	VITON	SANTOPRENE	1/2" FNPT	24 VDC

110/120 VAC							
Item Number	Flow	Controls	Pressure	Valves	Diaphragm	Ports	Voltage
5518-1E1-69C	7.0 GPM (26.5 LPM)	DEMAND	60 PSI (4.1 BAR)	VITON	SANTOPRENE	3/4" QUICK ATTACH	110/120 VAC
5518-2E1-69C	7.0 GPM (26.5 LPM)	BYPASS	60 PSI (4.1 BAR)	VITON	SANTOPRENE	3/4" QUICK ATTACH	110/120 VAC
5538-1E1-69C	7.0 GPM (26.5 LPM)	DEMAND	60 PSI (4.1 BAR)	VITON	SANTOPRENE	1/2" FNPT	110/120 VAC
5538-2E1-69C	7.0 GPM (26.5 LPM)	BYPASS	60 PSI (4.1 BAR)	VITON	SANTOPRENE	1/2" FNPT	110/120 VAC

HIGH PRESSURE							
Item Number	Flow	Controls	Pressure	Valves	Diaphragm	Ports	Voltage
5518-1I1-94A	7.0 GPM (26.5 LPM)	DEMAND	100 PSI (6.89 BAR)	VITON	SANTOPRENE	3/4" QUICK ATTACH	12 VDC
5518-2I1-94A	7.0 GPM (26.5 LPM)	BYPASS	100 PSI (6.89 BAR)	VITON	SANTOPRENE	3/4" QUICK ATTACH	12 VDC
5538-1I1-94A	7.0 GPM (26.5 LPM)	DEMAND	100 PSI (6.89 BAR)	VITON	SANTOPRENE	1/2" FNPT	12 VDC
5538-2I1-94A	7.0 GPM (26.5 LPM)	BYPASS	100 PSI (6.89 BAR)	VITON	SANTOPRENE	1/2" FNPT	12 VDC

RETAIL OPTIONS							
Item Number	Flow	Controls	Pressure	Valves	Diaphragm	Ports	Voltage
90-5518-1E1-94A-SB	7.0 GPM (26.5 LPM)	DEMAND	60 PSI (4.1 BAR)	VITON	SANTOPRENE	3/4" QUICK ATTACH	12 VDC
90-5538-1E1-94A-SB	7.0 GPM (26.5 LPM)	DEMAND	60 PSI (4.1 BAR)	VITON	SANTOPRENE	1/2" FNPT	12 VDC
5518-1I1-94A-B	7.0 GPM (26.5 LPM)	DEMAND	100 PSI (6.89 BAR)	VITON	SANTOPRENE	3/4" QUICK ATTACH	12 VDC
5538-1I1-94A-B	7.0 GPM (26.5 LPM)	DEMAND	100 PSI (6.89 BAR)	VITON	SANTOPRENE	1/2" FNPT	12 VDC

CONTACT US FOR OUR ENTIRE LIST OF PUMP CONFIGURATIONS

RECOMMENDED PARTS & ACCESSORIES

(ADDITIONAL PARTS & ACCESSORIES AVAILABLE)



PSW-FB-60-R



PH5518E-D



901-013-R



901-RC02-R



FQ5E-34



FQ5S-34



A John M. Ellsworth Company

John M. Ellsworth Co., Inc.

P.O. Box 240072
8700 West Bradley Road
Milwaukee, WI 53224

800-333-3331 **PHONE**

info@jmesales.com **E-MAIL**
www.JMESales.com **WEB**