

5500 SERIES

The Remco 5500 Series is unmatched in performance and efficiency. Engineered to withstand the most punishing duty cycles; the Remco 5500 Series pump is a top of the line performer for all of your fluid handling needs.



PRESSURE RANGE: 60 - 150 PSI

OPEN FLOW RANGE: 3.2 - 5.3 GPM

PUMP OPTIONS

- FLUID PORTS: 3/4" QUICK ATTACH OR 1/2" FNPT
- VOLTAGE: 12 / 24 VDC OR 115 VAC
- MATERIALS: VITON / SANTOPRENE / NYLON / POLY
- DEMAND / BYPASS / DUAL CONTROL / NO CONTROL
- MOTORS: HEAVY DUTY / SEALED / LOW OR HIGH SPEED
- PACKAGING: BULK / SINGLE BOX / RETAIL AVAILABLE
- MANY OTHER OPTIONS AVAILABLE

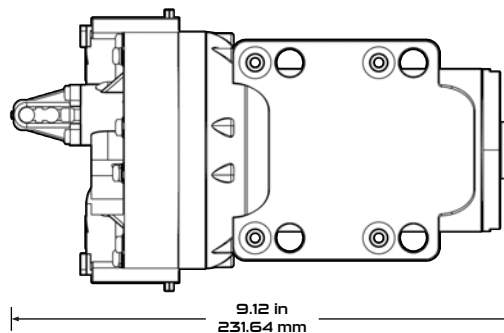
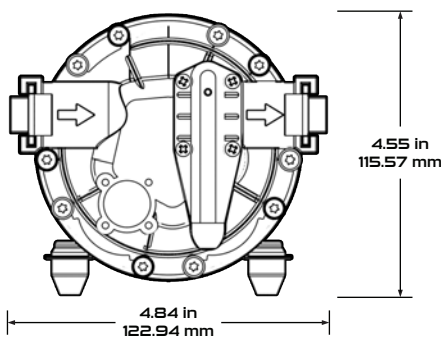
STANDARD FEATURES

- PROFESSIONAL GRADE QUALITY
- MADE IN THE UNITED STATES
- 100% FACTORY TESTED PERFORMANCE
- COMPLETELY SEALED MOTOR
- LOW HEAT AND POWER CONSUMPTION
- SUPERIOR VERTICAL PRIMING

TYPICAL APPLICATIONS

- AUTOMOTIVE FLUID EXCHANGE
- BULK FLUID TRANSFER
- EQUIPMENT WASHDOWN
- AG AND INDUSTRIAL CHEMICAL SPRAYING
- DUST SUPPRESSION
- LIQUID FERTILIZER

PUMP DIMENSIONS

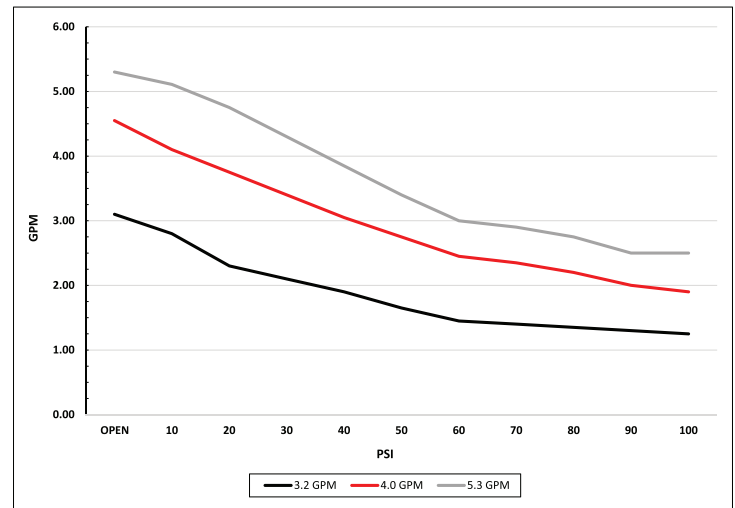


TECHNICAL INFORMATION

- 14 AWG - 6" OR 12" 2-PIN MOLD / CUSTOM CONNECTION
- 14FT (4.0M) PRIMING CAPABILITY
- INTERMITTENT DUTY CYCLE
- DRY RUN CAPABILITY
- 140°F (60°C) MAX LIQUID TEMPERATURE
- 180°F (82°C) MAX MOTOR TEMPERATURE

PUMP PERFORMANCE

(PERFORMANCE MAY VARY)



(DIMENSIONS MAY VARY BY MODEL)

PUMP CONFIGURATIONS

(ADDITIONAL CONFIGURATIONS AVAILABLE)

STANDARD

Item Number	Flow	Controls	Pressure	Valves	Diaphragm	Ports	Voltage
5514-1E1-82B	3.2 GPM (12.11 LPM)	DEMAND	60 PSI (4.1 BAR)	VITON	SANTOPRENE	3/4" QUICK ATTACH	12 VDC
5514-2E1-63B	3.2 GPM (12.11 LPM)	BYPASS	60 PSI (4.1 BAR)	VITON	SANTOPRENE	3/4" QUICK ATTACH	12 VDC
5534-1E1-82B	3.2 GPM (12.11 LPM)	DEMAND	60 PSI (4.1 BAR)	VITON	SANTOPRENE	1/2" FNPT	12 VDC
5534-2E1-63B	3.2 GPM (12.11 LPM)	BYPASS	60 PSI (4.1 BAR)	VITON	SANTOPRENE	1/2" FNPT	12 VDC
5516-1E1-82B	4.0 GPM (15.14 LPM)	DEMAND	60 PSI (4.1 BAR)	VITON	SANTOPRENE	3/4" QUICK ATTACH	12 VDC
5516-2E1-63B	4.0 GPM (15.14 LPM)	BYPASS	60 PSI (4.1 BAR)	VITON	SANTOPRENE	3/4" QUICK ATTACH	12 VDC
5536-1E1-82B	4.0 GPM (15.14 LPM)	DEMAND	60 PSI (4.1 BAR)	VITON	SANTOPRENE	1/2" FNPT	12 VDC
5536-2E1-63B	4.0 GPM (15.14 LPM)	BYPASS	60 PSI (4.1 BAR)	VITON	SANTOPRENE	1/2" FNPT	12 VDC
5517-1E1-82B	5.3 GPM (20.06 LPM)	DEMAND	60 PSI (4.1 BAR)	VITON	SANTOPRENE	3/4" QUICK ATTACH	12 VDC
5517-2E1-63B	5.3 GPM (20.06 LPM)	BYPASS	60 PSI (4.1 BAR)	VITON	SANTOPRENE	3/4" QUICK ATTACH	12 VDC
5537-1E1-82B	5.3 GPM (20.06 LPM)	DEMAND	60 PSI (4.1 BAR)	VITON	SANTOPRENE	1/2" FNPT	12 VDC
5537-2E1-63B	5.3 GPM (20.06 LPM)	BYPASS	60 PSI (4.1 BAR)	VITON	SANTOPRENE	1/2" FNPT	12 VDC

24 VDC

Item Number	Flow	Controls	Pressure	Valves	Diaphragm	Ports	Voltage
5534-1E1-731B	3.2 GPM (12.11 LPM)	DEMAND	60 PSI (4.1 BAR)	VITON	SANTOPRENE	1/2" FNPT	24 VDC
5536-1E1-731B	4.0 GPM (15.14 LPM)	DEMAND	60 PSI (4.1 BAR)	VITON	SANTOPRENE	1/2" FNPT	24 VDC
5537-1E1-731B	5.3 GPM (20.06 LPM)	DEMAND	60 PSI (4.1 BAR)	VITON	SANTOPRENE	1/2" FNPT	24 VDC

110/120 VAC

Item Number	Flow	Controls	Pressure	Valves	Diaphragm	Ports	Voltage
5534-1E1-58C	3.2 GPM (12.11 LPM)	DEMAND	60 PSI (4.1 BAR)	VITON	SANTOPRENE	1/2" FNPT	110/120 VAC
5536-1E1-58C	4.0 GPM (15.14 LPM)	DEMAND	60 PSI (4.1 BAR)	VITON	SANTOPRENE	1/2" FNPT	110/120 VAC
5537-1E1-65C	5.3 GPM (20.06 LPM)	DEMAND	60 PSI (4.1 BAR)	VITON	SANTOPRENE	1/2" FNPT	110/120 VAC

HIGH PRESSURE

Item Number	Flow	Controls	Pressure	Valves	Diaphragm	Ports	Voltage
5514-111-63B	3.2 GPM (12.11 LPM)	DEMAND	60 PSI (4.1 BAR)	VITON	SANTOPRENE	3/4" QUICK ATTACH	12 VDC
5516-111-63B	4.0 GPM (15.14 LPM)	DEMAND	60 PSI (4.1 BAR)	VITON	SANTOPRENE	3/4" QUICK ATTACH	12 VDC
5517-111-63B	5.3 GPM (20.06 LPM)	DEMAND	60 PSI (4.1 BAR)	VITON	SANTOPRENE	3/4" QUICK ATTACH	12 VDC

RETAIL OPTIONS

Item Number	Flow	Controls	Pressure	Valves	Diaphragm	Ports	Voltage
90-5517-1E1-82B-SB	5.3 GPM (20.06 LPM)	DEMAND	60 PSI (4.1 BAR)	VITON	SANTOPRENE	3/4" QUICK ATTACH	12 VDC
90-5537-1E1-82B-SB	5.3 GPM (20.06 LPM)	DEMAND	60 PSI (4.1 BAR)	VITON	SANTOPRENE	1/2" FNPT	12 VDC
5537-1E3-82B-B	5.3 GPM (20.06 LPM)	DEMAND	60 PSI (4.1 BAR)	VITON	GEOLAST	1/2" FNPT	12 VDC

[CONTACT US FOR OUR ENTIRE LIST OF PUMP CONFIGURATIONS](#)

RECOMMENDED PARTS & ACCESSORIES

(ADDITIONAL PARTS & ACCESSORIES AVAILABLE)



PSW-580R-60



VHA5513-1E77



901-009-R



RM-35C-K



FQ5E-12



FQ5S-12



John M. Ellsworth Co., Inc.

P.O. Box 240072
8700 West Bradley Road
Milwaukee, WI 53224

800-333-3331 **PHONE**

info@jmesales.com **E-MAIL**
www.JMEsales.com **WEB**