

3300 SERIES

Capable of continuous heavy duty workloads, the 3300 series has built a reputation as a solid and reliable industry performer. The 3300 series delivers consistent Professional Grade results for every job you give it.



PRESSURE RANGE: 45 - 200 PSI

OPEN FLOW RANGE: 1.2 - 2.2 GPM

PUMP OPTIONS

- FLUID PORTS: 3/4" QUICK ATTACH OR 3/8" FNPT
- VOLTAGE: 12 / 24 VDC OR 115 VAC
- MATERIALS: VITON / SANTOPRENE / NYLON / POLY
- DEMAND / BYPASS / DUAL CONTROL / NO CONTROL
- MOTORS: HEAVY DUTY / SEALED / LOW OR HIGH SPEED
- PACKAGING: BULK / SINGLE BOX / RETAIL AVAILABLE
- MANY OTHER OPTIONS AVAILABLE

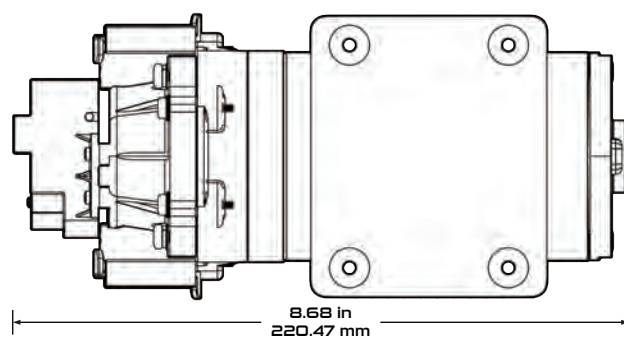
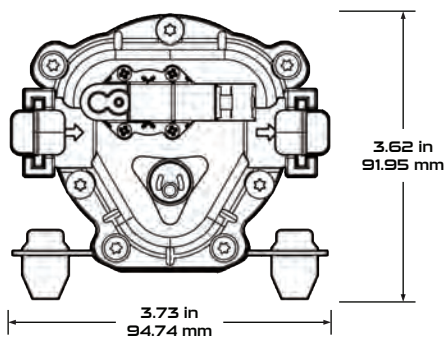
STANDARD FEATURES

- PROFESSIONAL GRADE QUALITY
- MADE IN THE UNITED STATES
- 100% FACTORY TESTED PERFORMANCE
- COMPLETELY SEALED MOTOR
- LOW HEAT AND POWER CONSUMPTION
- SUPERIOR VERTICAL PRIMING

TYPICAL APPLICATIONS

- AUTOMOTIVE FLUID EXCHANGE
- BULK FLUID TRANSFER
- ROAD MAINTENANCE
- AG AND INDUSTRIAL CHEMICAL SPRAYING
- DUST SUPPRESSION

PUMP DIMENSIONS

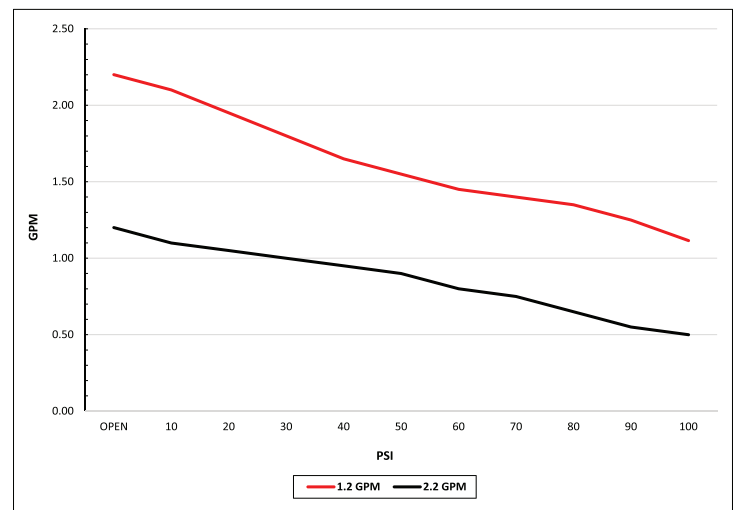


TECHNICAL INFORMATION

- 14 AWG - 6" OR 12" 2-PIN MOLD / CUSTOM CONNECTION
- 8FT (2.4M) PRIMING CAPABILITY
- INTERMITTENT DUTY CYCLE
- DRY RUN CAPABILITY
- 140°F (60°C) MAX LIQUID TEMPERATURE
- 180°F (82°C) MAX MOTOR TEMPERATURE

PUMP PERFORMANCE

(PERFORMANCE MAY VARY)



(DIMENSIONS MAY VARY BY MODEL)

PUMP CONFIGURATIONS

(ADDITIONAL CONFIGURATIONS AVAILABLE)

STANDARD

Item Number	Flow	Controls	Pressure	Valves	Diaphragm	Ports	Voltage
3311-1E1-82B	1.2 GPM (4.5 LPM)	DEMAND	60 PSI (4.1 BAR)	VITON	SANTOPRENE	3/4" QUICK ATTACH	12 VDC
3311-2E1-82B	1.2 GPM (4.5 LPM)	BYPASS	60 PSI (4.1 BAR)	VITON	SANTOPRENE	3/4" QUICK ATTACH	12 VDC
3313-1E1-82B	2.2 GPM (4.5 LPM)	DEMAND	60 PSI (4.1 BAR)	VITON	SANTOPRENE	3/4" QUICK ATTACH	12 VDC
3313-2E1-82B	2.2 GPM (4.5 LPM)	BYPASS	60 PSI (4.1 BAR)	VITON	SANTOPRENE	3/4" QUICK ATTACH	12 VDC
3321-1E1-82B	1.2 GPM (4.5 LPM)	DEMAND	60 PSI (4.1 BAR)	VITON	SANTOPRENE	3/8" FNPT	12 VDC
3321-2E1-82B	1.2 GPM (4.5 LPM)	BYPASS	60 PSI (4.1 BAR)	VITON	SANTOPRENE	3/8" FNPT	12 VDC
3323-1E1-82B	2.2 GPM (4.5 LPM)	DEMAND	60 PSI (4.1 BAR)	VITON	SANTOPRENE	3/8" FNPT	12 VDC
3323-2E1-82B	2.2 GPM (4.5 LPM)	BYPASS	60 PSI (4.1 BAR)	VITON	SANTOPRENE	3/8" FNPT	12 VDC

24 VDC

Item Number	Flow	Controls	Pressure	Valves	Diaphragm	Ports	Voltage
3321-1E1-731B	1.2 GPM (4.5 LPM)	DEMAND	60 PSI (4.1 BAR)	VITON	SANTOPRENE	3/8" FNPT	24 VDC
3321-2E1-731B	1.2 GPM (4.5 LPM)	BYPASS	60 PSI (4.1 BAR)	VITON	SANTOPRENE	3/8" FNPT	24 VDC
3323-1E1-731B	2.2 GPM (4.5 LPM)	DEMAND	60 PSI (4.1 BAR)	VITON	SANTOPRENE	3/8" FNPT	24 VDC
3323-2E1-731B	2.2 GPM (4.5 LPM)	BYPASS	60 PSI (4.1 BAR)	VITON	SANTOPRENE	3/8" FNPT	24 VDC

110/120 VAC

Item Number	Flow	Controls	Pressure	Valves	Diaphragm	Ports	Voltage
3321-1E1-52C	1.2 GPM (4.5 LPM)	DEMAND	60 PSI (4.1 BAR)	VITON	SANTOPRENE	3/8" FNPT	110/120 VAC
3321-2E1-52C	1.2 GPM (4.5 LPM)	BYPASS	60 PSI (4.1 BAR)	VITON	SANTOPRENE	3/8" FNPT	110/120 VAC
3323-1E1-52C	2.2 GPM (4.5 LPM)	DEMAND	60 PSI (4.1 BAR)	VITON	SANTOPRENE	3/8" FNPT	110/120 VAC
3323-2E1-52C	2.2 GPM (4.5 LPM)	BYPASS	60 PSI (4.1 BAR)	VITON	SANTOPRENE	3/8" FNPT	110/120 VAC

HIGH PRESSURE

Item Number	Flow	Controls	Pressure	Valves	Diaphragm	Ports	Voltage
3313-1I1-63B	2.2 GPM (4.5 LPM)	DEMAND	100 PSI (6.9 BAR)	VITON	SANTOPRENE	3/4" QUICK ATTACH	12 VDC
3313-2I1-63B	2.2 GPM (4.5 LPM)	BYPASS	100 PSI (6.9 BAR)	VITON	SANTOPRENE	3/4" QUICK ATTACH	12 VDC
3323-1I1-63B	2.2 GPM (4.5 LPM)	DEMAND	100 PSI (6.9 BAR)	VITON	SANTOPRENE	3/8" FNPT	12 VDC
3323-2I1-63B	2.2 GPM (4.5 LPM)	BYPASS	100 PSI (6.9 BAR)	VITON	SANTOPRENE	3/8" FNPT	12 VDC

RETAIL OPTIONS

Item Number	Flow	Controls	Pressure	Valves	Diaphragm	Ports	Voltage
90-3313-1E1-82B-SB	2.2 GPM (4.5 LPM)	DEMAND	60 PSI (4.1 BAR)	VITON	SANTOPRENE	3/4" QUICK ATTACH	12 VDC
90-3323-1E3-82B-SB	2.2 GPM (4.5 LPM)	DEMAND	60 PSI (4.1 BAR)	VITON	GEOLAST	3/8" FNPT	12 VDC
90-3323-1E1-82B-SB	2.2 GPM (4.5 LPM)	DEMAND	60 PSI (4.1 BAR)	VITON	SANTOPRENE	3/8" FNPT	12 VDC

[CONTACT US FOR OUR ENTIRE LIST OF PUMP CONFIGURATIONS](#)

RECOMMENDED PARTS & ACCESSORIES

(ADDITIONAL PARTS & ACCESSORIES AVAILABLE)



3300-PSW



VHA7863-7F77



901-009-R



901-RC01-R



FQ5E-38



FQ5S-38



A John M. Ellsworth Company

John M. Ellsworth Co., Inc.

P.O. Box 240072
8700 West Bradley Road
Milwaukee, WI 53224

800-333-3331 **PHONE**

info@jmesales.com **E-MAIL**
www.JMESales.com **WEB**