

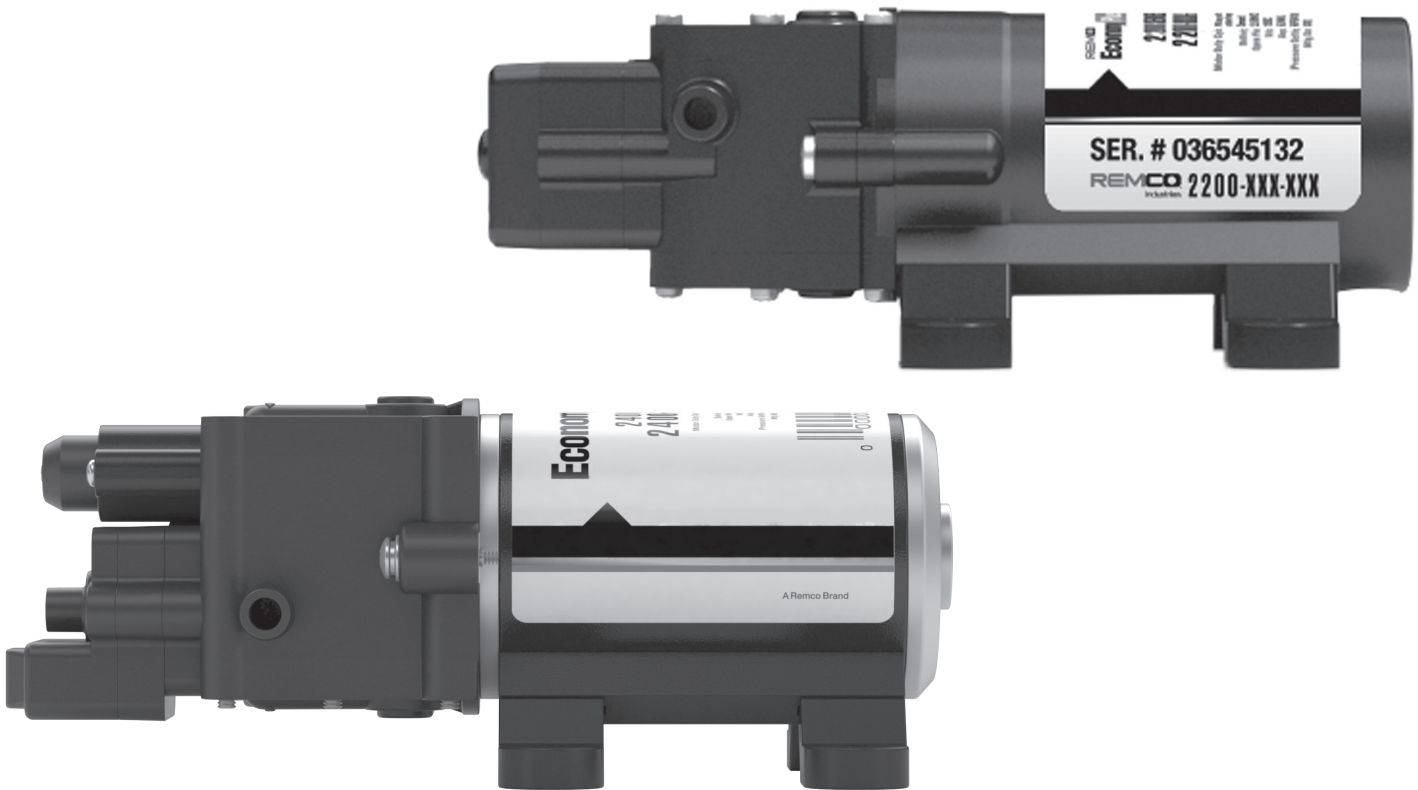
Economy Plus +

2200, 2400

Performance
meets quality in an
affordable pump.

Economy Plus™ 2200, 2400

Operational and Installation
Guidelines & Parts



Contents



Installation Recommendations and Operation Precautions	2
EconomyPlus™ Series 2200, 2400 Specifications	2
EconomyPlus™ Series 2200, 2400 Dimensions	3
Standard Warranty	4
Troubleshooting Guidelines	4



John M. Ellsworth Co., Inc.

P.O. Box 240072
8700 West Bradley Road
Milwaukee, WI 53224

800-333-3331 **PHONE**

info@jmesales.com **E-MAIL**
www.JMESales.com **WEB**

Economy Plus™ Series 2200, 2400

Installation Recommendations

Mounting

Determine the optimum location for your pump.

Economy Plus™ 2200, 2400 Series pumps are self-priming and can be located up to 4 feet above the water level.

Horizontal and vertical prime vary depending on the fluid viscosity and pump configuration. The pump can be at the same level or below the tank.

The pump should be located in an area that is dry and protect the pump from excessive heat by providing proper ventilation.

The pump can be at the same level or below the tank.

The pump can be mounted in any position. Since the pump head and motor are splash proof, water should not be a concern no matter how the pump is mounted. However, the switch cover does have an opening at the bottom which could collect water if the pump is mounted with the head down.

Plumbing

Use suction hose on inlet of pump. Use flexible hose of the correct pressure rating that is compatible with the fluid to be pumped.

Pump will prime only if all pressure is relieved from outlet port. It is recommended that pure water be pumped or an in-line sediment filter (50 mesh) be installed at the inlet side to keep foreign debris out of the system. If a check valve is installed in the plumbing, it must have a cracking pressure of no more than 2 psi (0.14 bar)

Avoid any sharp bends which may crimp tubing and restrict flow. Use 90° elbow fittings if necessary.

The pump should always be mounted prior to any components which could introduce particles to the water; thus, preventing them from entering the pump chambers and possibly causing clogging.

Electrical

12 volt pump must be provided with a 5-amp fuse.

Recommended wire size is 18 gauge (1.3 mm) or larger wire as determined by voltage drop. Negative must be connected to a known ground. Ground wire must be the same gauge/mm as the positive

Operation Precautions

Do not operate pump in an explosive environment.

Arcing from the motor brushes, switch or excessive heat from an improperly cycled motor may cause an explosion.

Do not pump gasoline or other flammable liquids.

Do not assume fluid compatibility.

If the fluid is improperly matched to the pumps' elastomers, a leak may occur.

Intermittent duty is defined as operation and/or frequent starting within a period of time that would cause the motor to reach its maximum thermal limits.

Once the maximum is obtained, the motor must be allowed to return to ambient temperature before resuming operation.

2200 Performance

PSI	Bar	GPM	LPM	Amps
OPEN	0.2	1.00	3.7	1.5
10	0.7	0.85	3.1	1.9
20	1.4	0.71	2.6	2.1
30	2.1	0.61	2.3	2.4
40	2.8	0.42	1.6	2.6

2400 Performance

PSI	GPM	Amps
OPEN	1.6	0.25
10	1.4	0.29
20	1.32	3.10
30	1.17	3.30
40	1.01	3.50
50	0.91	3.60
60	0.85	3.70
70	0.72	3.90
80	0.59	4.10
90	0.44	4.20
100	OFF	0

Specifications

Motor (2200, 2400)

Type 12 VDC, permanent magnet, splashproof

Leads 18 AWG, 4.5" long with 2-pin connector

Duty Cycle Intermittent

Pump

Type (2200, 2400) 2-chamber positive displacement, self priming, capable of being run dry

Liquid Temperature

2200 110°F (43°C) Max.

2400 110°F (43°C) Max.

Priming Capabilities

2200 4 feet (1.2 m) suction lift

2400 up to 6 ft.

Max Pressure

2200 40 PSI (2.8 bar)

2400 100 PSI (6.9bar)

Inlet/Outlet Ports

22003/8" hose barb

2400 10mm quick attach

..... .3/8" hose barb

Weight

2200 1.25 lbs (0.57 kg)

2400 2.5 lbs (1.14 kg)

Pressure Demand Switch (2200)

Shut-Off. 40 ±5 PSI (2.8 ±0.3 bar) factory setting

Turn-On. 25 ±5 PSI (1.7 ±0.3 bar) factory setting

Materials of Construction

Motor Housing 2200 Nylon 6/6

..... 2400 Steel

Pump Housing Polypropylene

Valves Viton

Diaphragm. Santoprene

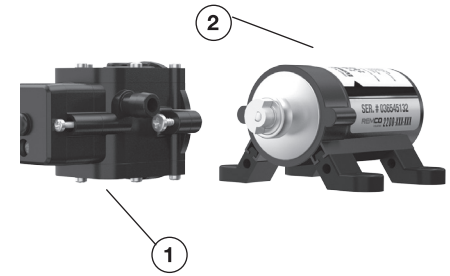
Fasteners Stainless steel and zinc plated

Economy Plus™ Series 2200, 2400

Parts

Parts List

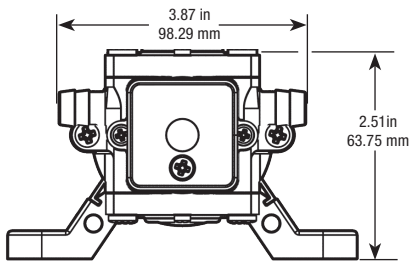
Ref#	Description	Part Number	
		2200	2400
1	Pump Head wSwitch Assembly	PH-2200D	PH-2400D
2	Motor		
	No connector, lead wires only	M221-S	M241-S
	Connector, 2-pin connector	M222-S	M242-S



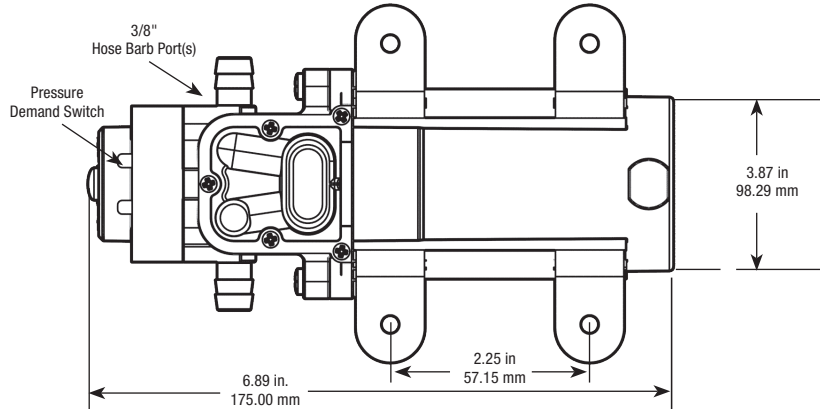
Dimensions

2200

Front

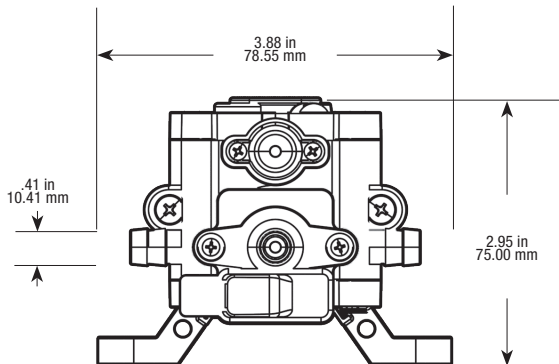


Top

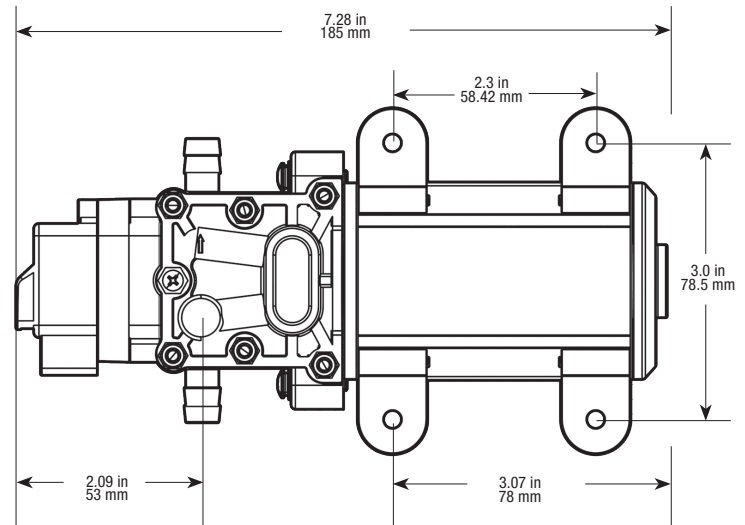


2400

Front



Top



Standard Warranty

REMCO warrants its products to be free from defects in material and workmanship on all products sold by REMCO for resale or for use in purchasers' own business or original equipment manufacturer. Under normal use, maintenance and service (rental use excluded) the following terms apply:

For all REMCO products, the warranty will last for a period of **one year from date of shipping from a REMCO warehouse.** REMCO's obligation under this warranty shall be limited to replacing or repairing at REMCO's discretion, any such product or part which must be returned to REMCO's factory with a Return Material Authorization Number (RMA), transportation charges approved by REMCO or prepaid, and which upon examination, is found to REMCO's satisfaction to have been defective under the terms of this warranty. No credit will be allowed against future purchases for items returned as defective under the terms of REMCO's warranty. This warranty does not extend to any products, which have been altered or modified outside the REMCO factory, to any products that have not been properly maintained, nor does it apply to units that are returned in an unassembled condition. Furthermore, the warranty does not extend to pumps that are non-compliance with REMCO's Engineering Standards. This includes, but is not limited to, pumps ordered without an integral pressure control mechanism. The warranty guarantees that products will perform to REMCO's flow and pressure specifications throughout the life of the

warranty. The warranty does not cover wear, appearance, misuse, abuse, misapplication or external water damage. If the returned product is found not to be defective under the conditions of this warranty, a charge will be made for repair or replacement.

Brush wear may be limited to 1000 hours or less.

This is a Limited Warranty. It covers the product only and the extent of the coverage is limited to the cost of the product. As the manufacturer has no control over shipping, handling and installation, the warranty cannot cover water damage, or any other damage, caused by a leak or other malfunction.

THIS WARRANTY IS IN LIEU OF ALL WARRANTIES, EXPRESSED OR IMPLIED, INCLUDING IMPLIED WARRANTIES OR WARRANTIES OF MERCHANTABILITY AND/OR FITNESS FOR A PARTICULAR PURPOSE. NO PERSON IS AUTHORIZED TO GIVE ANY OTHER WARRANTY OR ASSUME OBLIGATION OR LIABILITY ON REMCO'S BEHALF. REMCO SHALL NOT BE LIABLE FOR ANY INDIRECT, INCIDENTAL, PUNITIVE OR CONSEQUENTIAL DAMAGES OF ANY KIND INCURRED BY THE REASON OF THE USE OR SALE OF ANY DEFECTIVE PRODUCT AND PART. THIS WARRANTY SHALL BE GOVERNED BY THE LAWS OF THE STATE OF MINNESOTA, WITH ANY DISPUTE OR CLAIM VENUED OR HEARD IN THE STATE OF MINNESOTA.

Troubleshooting Guide

Problem/Causes and Remedies

Pump will not Start

Check:

- Correct voltage ($\pm 10\%$) and electrical connections
- Fuse or breaker
- Pressure switch operation and correct voltage at switch
- Rectifier or motor for open or grounded circuit
- Locked drive assembly

Pump will not Prime (No discharge with motor running)

Check:

- Debris in strainer
- Restriction (kinks) in inlet/outlet tubes
- Debris or swelling in inlet/outlet valves

Pump will not Shut Off (Output line closed and no leaks)

Check:

- Air trapped in outlet line or pump head
- Correct voltage to pump
- Debris in pump inlet/outlet valves
- Loose drive assembly or pump head screws
- Pressure switch operations/adjustments

Leaks from Pump Head or Switch

Check:

- Loose screws at switch or pump head
- Switch diaphragm ruptured or pinched
- Punctured diaphragm if fluid is present