

Light Cord Reels

Model with cord & bumper	Cord Ending	Cord Specifications					Volts	Amps	Shipping Weight		Size Index #	
		AWG	mm ²	# Cond	ft	m			Type**	lbs		kg
L 4035 163 1	Incandescent lamp, Inlet straight blade plug NEMA 5-15P	16	1.33	3	35	11	SJTOW	125	10	23	10	1
L 4050 163 1		16	1.33	3	50	15	SJTOW	125	10	27	12	1
L 4035 163 1C	Incandescent lamp, Inlet twist lock plug NEMA L5-15P	16	1.33	3	35	11	SJTOW	125	10	23	10	1
L 4050 163 1C		16	1.33	3	50	15	SJE00W	125	10	27	12	1
L 4035 163 10	LED lamp w/ outlet, Inlet straight blade plug NEMA 5-15P	16	1.33	3	35	11	SJTOW	125	12	26	12	1
L 4050 163 10		16	1.33	3	50	15	SJTOW	125	12	28	13	1
L 4050 163 10C	LED lamp w/ outlet, Inlet twist lock plug NEMA L5-15P	16	1.33	3	50	15	SJE00W	125	12	28	13	1
L 4050 162 11	LED lamp, Inlet straight blade plug NEMA 5-15P	16	1.33	2	50	15	SJTOW	125	0.3	28	13	1

For indoor non-weathertight applications only. All models UL listed at 125 Volt 60 HZ single phase. Swing brackets or pivot bases should be used if cords are pulled at more than 45°, see page 43. **Equivelant cord type may be used.



L 4050 163 10



- All Series L 4000, L 5000, and L 70000 reel models supplied with cord are complete with a 4-5 foot pigtail and three-prong plug (except flying lead reels)
- Compact for critical space requirements
- Engineered for industrial and commercial use
- Durable abrasion and corrosion resistant baked-on powder coat finish
- Wall, ceiling, or bench mount

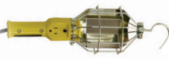

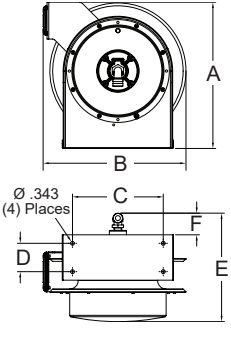

	#1 - Incandescent Light (75 watt max) Single receptacle tool tap; Push-through switch, metal grounded guard
	#10/10C - LED Light (930 lumens) Two ultra-high intensity 4-watt LEDs; Single 3-watt end spot light; Polycarbonate shatter-resistant light tube; In-line tool tap, NEMA 5-15R configuration maximum 12 amp draw
	#11 - LED Light (930 lumens) Two ultra-high intensity 4-watt LEDs; Single 3-watt end spot light; Polycarbonate shatter-resistant light tube

Diagram	Dimensions - Size Index								
	1		2		3		4		
	in	mm	in	mm	in	mm	in	mm	
	A	12 ⁷ / ₈	327	14 ³ / ₈	365	17 ⁵ / ₈	448	17 ⁵ / ₈	448
	B	12 ⁵ / ₈	321	14 ¹ / ₄	362	16 ³ / ₄	425	16 ³ / ₄	425
	C	8	203	9 ³ / ₄	248	9 ³ / ₄	248	9 ³ / ₄	248
	D	2 ¹ / ₂	64	2 ¹ / ₂	64	2 ¹ / ₂	64	2 ¹ / ₂	64
	E	9 ³ / ₈	239	10 ¹ / ₂	267	10 ¹ / ₂	267	12 ¹ / ₂	318
	F	1 ³ / ₄	44	2 ¹ / ₈	54	2 ¹ / ₈	54	2 ¹ / ₈	54

NEW!
Reel Covers
Available for Series L 70000 reels only. See page 41



Pivot Bases & Swing Brackets
Swing brackets or pivot bases should be used if cords are pulled at more than 45°, see page 43.

 **Swing Bracket** 600993


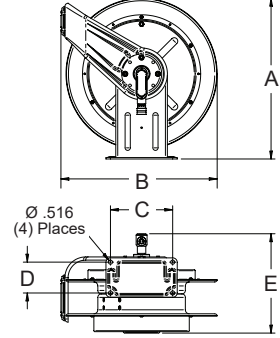
 **Pivot Base** S600608

Diagram	Dimensions - Size Index						
	5		6		7		
	in	mm	in	mm	in	mm	
	A	20 ¹ / ₄	514	20 ¹ / ₄	514	20 ¹ / ₄	514
	B	19 ³ / ₄	502	19 ³ / ₄	502	19 ³ / ₄	502
	C	7 ¹³ / ₁₆	198	7 ¹³ / ₁₆	198	7 ¹³ / ₁₆	198
	D	3 ⁷ / ₈	98	3 ⁷ / ₈	98	3 ⁷ / ₈	98
	E	11 ³ / ₄	298	12 ¹ / ₂	318	14 ⁵ / ₈	371

 **Interactive Reel Catalog**
Visit reelcraft.com/catalog for complete product specifications, parts, and accessories.