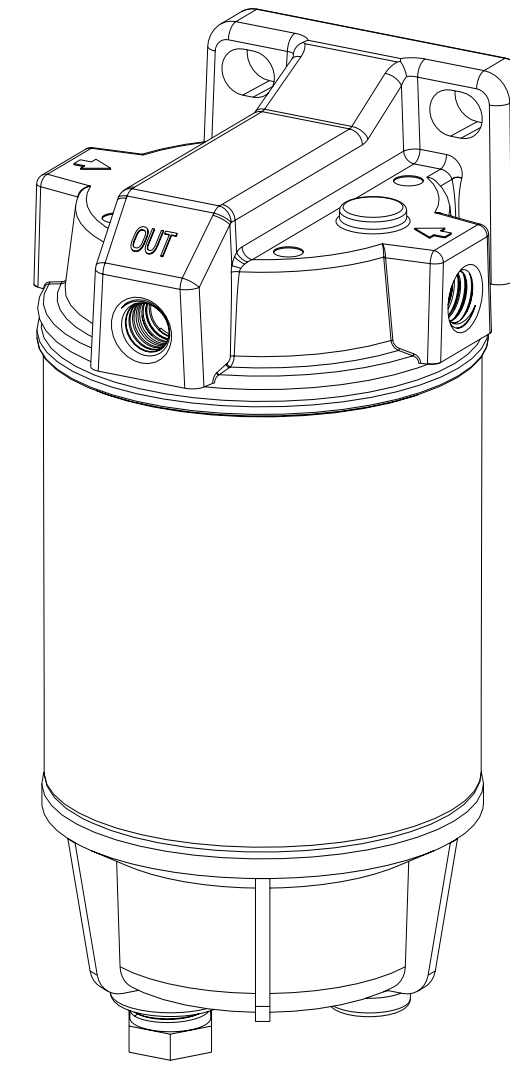
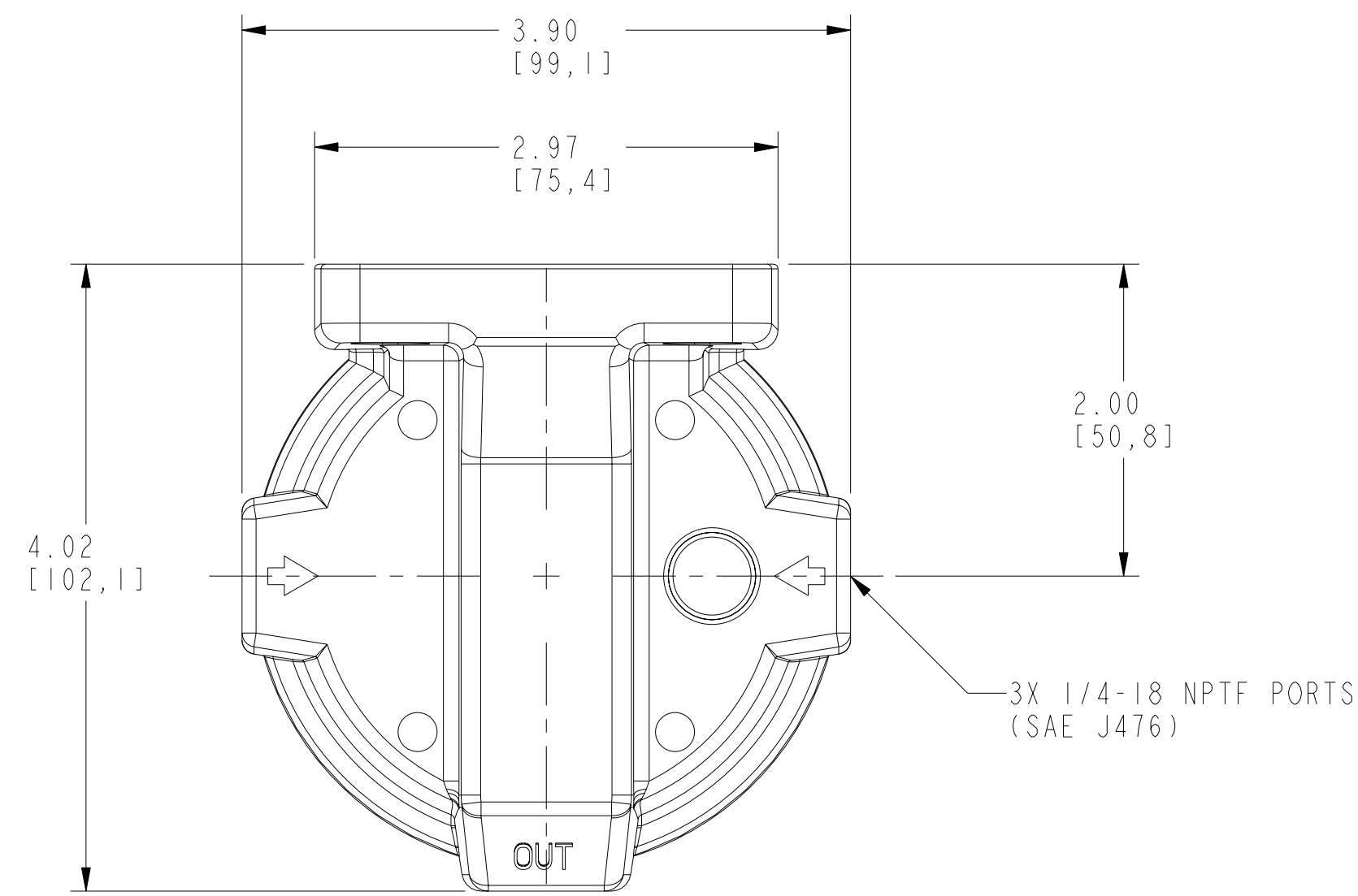
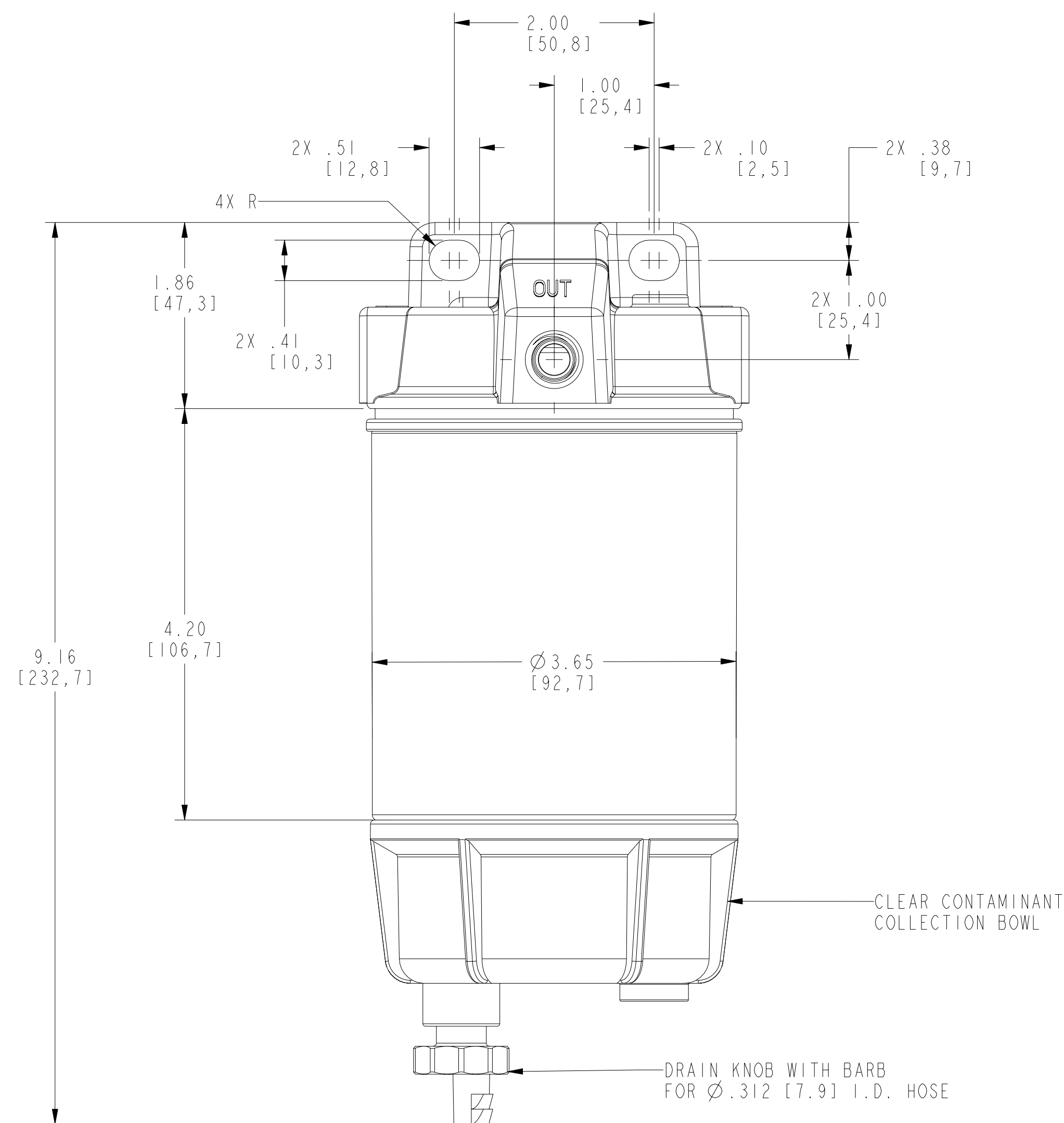


REVISIONS					
LTR	DESCRIPTION	EN	DATE	DRN	CHK
-	DRAWING RELEASE	----	040595	DM	DM
A	REVISED NOTES AND UPDATED DRAIN VIEW.	----	011800	GG	GG
B	REDRAWN ON PRO-E TO CURRENT SPECIFICATIONS. REVISED AND RENUMBERED NOTES. ADDED COMPONENT CALLOUTS.	19722	101507	CEV	RH



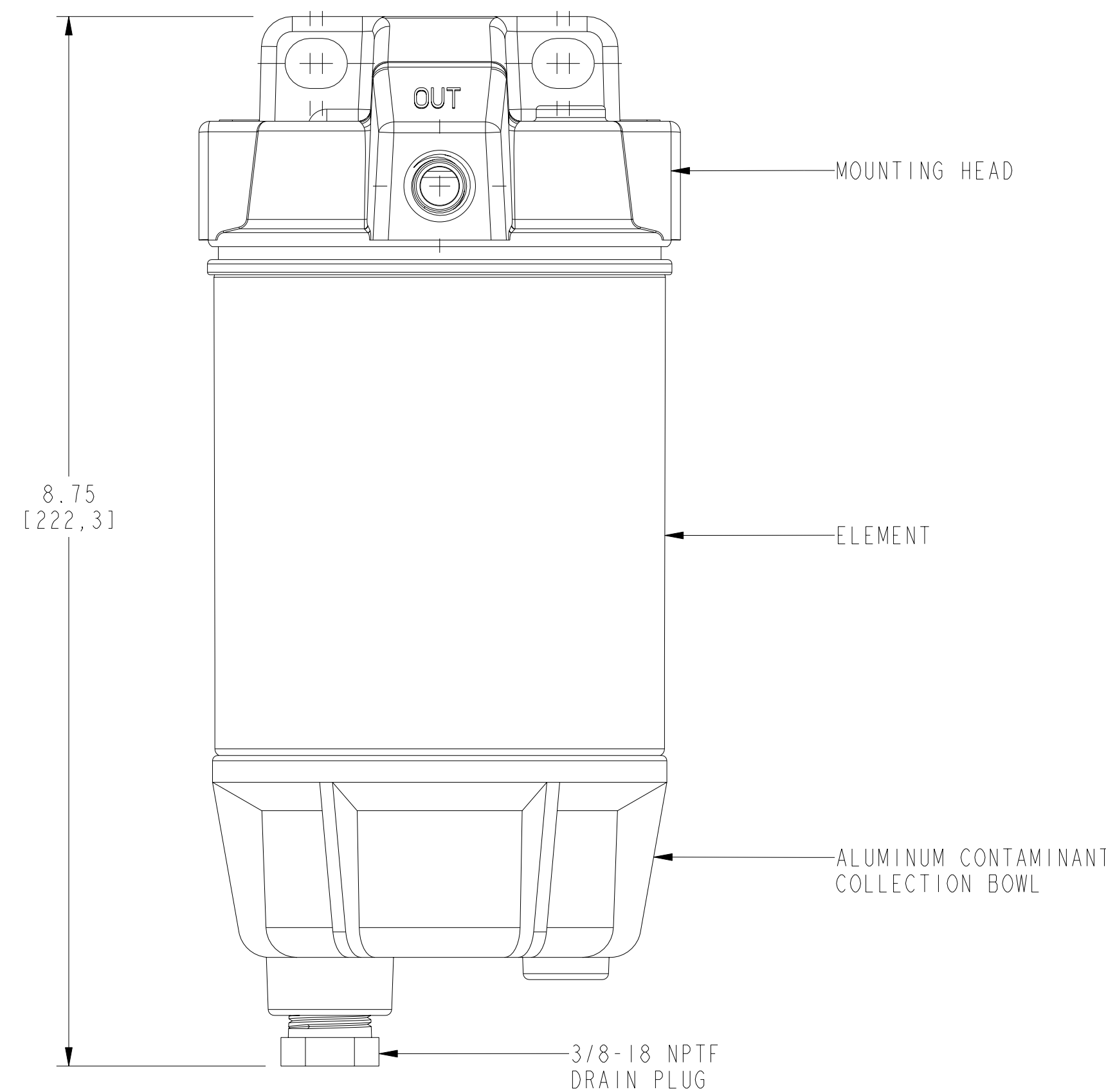
**NOTES: UNLESS OTHERWISE SPECIFIED-**

- DIMENSIONS GIVEN REPRESENT NOMINAL VALUES AND ARE FOR REFERENCE ONLY. SCHEME: INCH [MM]
- SPECIFICATIONS:
  - A. APPLICATION: GASOLINE (OR DIESEL), VACUUM SIDE
  - B. MAXIMUM ALLOWABLE PRESSURE: 7 PSI / 48 kPa
  - C. MAXIMUM FLOW RATE: 60 GPH / 227 LPH
  - D. FUEL PORT THREADS: 1/4-18 NPTF
  - E. BOWL WATER CAPACITY: 2.0 OZ. [58 ML]
  - F. ALLOW AT LEAST 2 INCHES [51 MM] UNDER UNITS FOR SERVICE.
- FEATURES:
  - ALUMINUM MOUNTING HEAD AND ALUMINUM BOWL FEATURE AN ANODIZED BASE COAT AND WHITE EPOXY POWDER PAINT TOP COAT FOR INCREASED CORROSION PROTECTION.
- SERVICE PARTS:
  - ELEMENTS:
    - 320R-RAC-01: S3227 (10 MICRON)
    - 320R-RAC-02: S3228-UL (10 MICRON)
  - MOUNTING HEAD: RK20180
  - CLEAR BOWL: RK30475 (INBOARD USE ONLY)
- PACKAGING:
  - STANDARD PACKAGING IS A CASE QUANTITY OF SIX.



**320R-RAC-01**  
(INBOARD USE ONLY)

NOTE: BOWL ORIENTATION MAY VARY



**320R-RAC-02**  
(INBOARD OR OUTBOARD USE)  
UL LISTED

**CUSTOMER INTERFACE DRAWING**

REVISE ONLY ON Pro/E SYSTEM		DRAWN	DBM	DATE	040595	 PARKER HANNIFIN CORPORATION RACOR DIVISION P.O. BOX 3208 MODESTO, CA 95353	TITLE		
THIS PRINT SUPERSEDES ANY EARLIER DATE; DESTROY SAME		CHECK	DBM	DATE	040595		<b>FF/WS ASSEMBLY</b> <b>320R MARINE SERIES</b>		
THIS PRINT AND ALL INFORMATION THEREIN IS OUR PROPERTY. IS CONFIDENTIAL AND MUST NOT BE MADE PUBLIC OR COPIED UNLESS AUTHORIZED BY US. THIS PRINT IS SUBJECT TO RETURN ON DEMAND.		MATERIAL:		DESIGN		UNLESS OTHERWISE SPECIFIED: DIMENSIONS ARE IN INCHES TOLERANCES DECIMAL            ANGULAR .XX±                ± .XXX±              FRACTIONAL ±			
NEXT ASSY	FIRST USED ON	FINISH:		---		SIZE	CODE IDENT NO.	DWG. NO.	REV
						D	55752	320R-RAC-XX	B
APPLICATION		DO NOT SCALE DRAWING		SCALE	1.000	RELEASE DATE	040595	SHEET	1 of 1

Rev B Ver