

Explosion-Proof Panel Heater

XPA Series

Installation, Operation, & Maintenance Instructions

Special Notes

It is important to read this entire document and to keep it for future reference.

The following special notices highlight important information in the installation and maintenance sections. Each serves a special purpose and is displayed in the format shown:



CAUTION

This symbol indicates a potentially hazardous situation, which, if not avoided, can result in personal injury or damage to the equipment.



CAUTION

This symbol indicates a potentially hazardous situation, which, if not avoided, may be a shock hazard.



WARNING

This symbol indicates an imminently hazardous situation, which, if not avoided, could result in death or serious injury.



TABLE OF CONTENTS

A. Product Certification	3
B. Pre-Installation	3
C. Installation	3
C.2 Mounting Bracket Installation: XPAL & XPAS Heaters.....	4
C.3 Mounting Bracket Installation: XPAR Heaters.....	4
D. Wiring	7
D.1 General.....	7
D.2 Wire Guard (optional)	7
E. Start-up	7
F. Maintenance	8
G. Repairs	8
H. Troubleshooting	8


Specific Conditions of use:

- Heater is to be used for industrial purposes only, and is not to be used as a comfort heater
- Heater is intended to be installed in an electrical or instrumentation enclosure or equipment housing
- The connecting lead shall be installed to provide for permanent wiring and adequate protection.
- Conduit seals, where used, shall be installed immediately adjacent to the enclosure.
- The device must be installed in accordance with the manufacturer's installation drawing number M11882.
- XT-311 thermostat, where used, If replacement of the cover bolts is required, these are to be replaced with four plated steel hex head bolts, M6 x 20 mm long, property class 9.8, 720 MPa minimum yield strength.
- Peppers A3LCF cable glands, where used, are certified with one specific size of FLP sealing ring per gland size as supplied,
- Peppers A3LCF cable glands, where used, shall not be used in enclosures where the temperature at the point of entry/mounting is outside the range: -60°C to +180°C for the Silicone (white) seal variants
- Peppers A3LCF cable entries, where used, are only suitable for fixed installations. Cables must be effectively clamped to prevent pulling or twisting.
- Peppers A3LCF range of cable glands, where used, when installed in accordance with the manufacturer's instructions and with an appropriate enclosure on which they are fixed, are capable of providing an ingress protection of IP66 and IP68 (50 metres 7 days).
- Hawke 501/414 glands, where used, are suitable for use within an operating temperature range of -60°C to +100°C.
- Hawke 501/414 glands, where used, for use with conduit, unarmoured or braided cables are only suitable for fixed installations, the cable for which must be effectively clamped to prevent pulling and twisting.
- Condition for non-standard joints: "The equipment has flameproof joints, which differ from those in IEC 60079-1 and are not intended to be repaired by the user.

A. PRODUCT CERTIFICATION

Depending on the particular model ordered, the heater is suitable for the following areas:

- CSA C/US Certified for Class I, Div 1, Groups A, B, C, D or Groups C, D, CSA Type 4; Temp. Code T2 (215°C) T2D, T3, T3B, T3C or T4

- ATEX  II 2G Ex db IIC or IIB, T2 (215°C), T3 or T4, Gb IP66
- IECEx Ex db IIC or IIB, T2 (215°C), T3 or T4, Gb, IP66

NOTE: - Standard XPA Models: -50°C to +40°C
- High Ambient XPA Models: -50°C to +55°C or 60°C depending on model.

B. PRE-INSTALLATION

1. Initially, inspect the heater for possible damage due to shipping and handling. Claims for shipping damages shall be placed with the carrier.
2. Check the heater nameplate to ensure that the heater area classification and temperature code are suitable for the hazardous area classification. For details of hazardous locations with potential for explosion, refer to the Canadian Electrical Code or National Electrical Code.
3. Check to ensure that the heater voltage is the same as the supply voltage.
4. The heater must be installed by qualified personnel in strict compliance with national and local electrical codes.



WARNING. Do not connect the heater to an electrical supply voltage other than that shown on the product nameplate.



Figure 1 – Model XPAL/XPAS convection heater

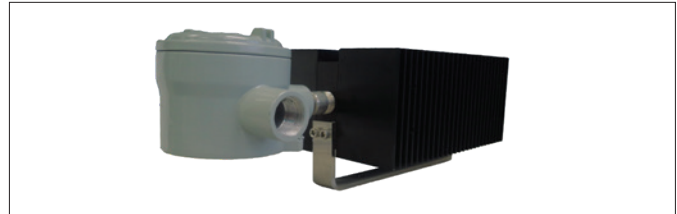


Figure 2 – Model XPAL/XPAS convection heater



Figure 3 – Model XPAR convection heater

C. INSTALLATION

C.1 General Requirements

1. The XPA heater is intended for industrial use and is to be mounted in an enclosure. The main function of this heater is to prevent the damaging effects of moisture and condensation on the components inside the enclosure. It is not intended for comfort heating use.
2. XPAL and XPAS heaters are approved for enclosure mounting either horizontally or side mounted with the junction box at the side. XPAR heaters are approved for vertical mounting only with the junction box at the bottom. Ensure that the enclosure is sufficiently strong to support the heater which, depending on the model, could weigh up to 15 lbs (7 kg).
3. Do not recess the XPA heater into the wall. Use the bracket supplied with the unit to ensure that the minimum spacing from the wall of 1" (25 mm) is maintained.
4. If more than one heater is being installed, maintain at least 3" (76 mm) between adjacent heater extrusions.
5. The XPA heater relies on natural convection and "black heat" radiation to transfer heat to the surroundings. See Table 1, page 4 for minimum clearances above heater.

Table 1 – Minimum clearance above heater

T-Code	XPAS		XPAL Side Mount		XPAL Horizontal		XPAR Vertical	
	in	mm	in	mm	in	mm	in	mm
T4	6	152	6	152	6	152	6	152
T3C/T3B	6	152	6	152	9	229	6	152
T3	12	305	9	229	12	305	9	229
T2D	15	381	12	305	18	457	12	305

- Maintain a 3" (76 mm) clearance and NEVER LESS THAN 1" (25 mm) clearance in front of and at the sides of the heater.
- The XPAL and XPAS heater relies on vertical convective flow through its fins to operate properly. The unit must be mounted in the horizontal or side mount orientation, as applicable. Under no circumstance can the heater be mounted vertically on its end with the junction box on the top or bottom and the flat fin surfaces in a horizontal position. The XPAR heater must be mounted vertically with the junction box at the bottom. Refer to Figure 11– Figure 13, page 5 for allowable mounting orientations.



CAUTION. The heater's surface is hot when the heater is energized. Keep all combustibles away from the heater and maintain the recommended installation clearances at all times.

C.2 Mounting Bracket Installation: XPAL & XPAS Heaters

Install heater with the supplied hardware in accordance with the figures and instructions below (Figure 14 and Figure 15, page 6).

Step 1: Scribe lines into the mounting surface signifying the top and side of the mounting bracket, indicating where the mounting bracket will be located after installation (Figure 4 and Figure 5, page 4)

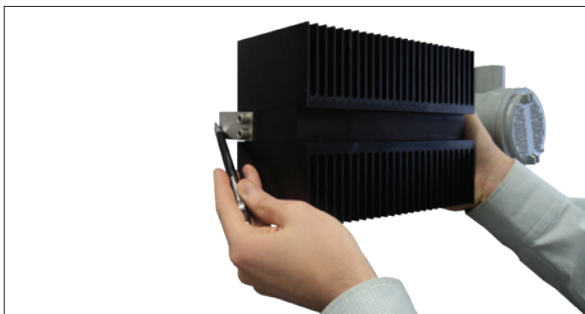


Figure 4 – Scribe the top of the mounting bracket



Figure 5 – Scribe the side of the mounting bracket

Step 2: Remove the mounting bracket from the heater and install it to the mounting surface, aligning the bracket with the scribe marks from Step 1 (Figure 6, page 4)



Figure 6 – Install the mounting bracket

Step 3: Secure the heater to the bracket by tightening the provided Socket Head Cap Screws into the threaded holes on each end of the heater (Figure 7, page 4).



Figure 7 – Attach mounting bracket to heater itself

C.3 Mounting Bracket Installation: XPAR Heaters

Step 1: Scribe a mark into the mounting surface indicating where the top part of the mounting bracket will be located after installation (Figure 5, page 4).



Figure 8 – Scribe the drop of the mounting bracket

Step 2: Measure down 0.625" (16 mm) from the scribed mark and scribe a mark for the top bolt location. Measure an additional 5.5" (140 mm) from the top bolt location to indicate the bottom bolt location (Figure 9, page 4). Drill holes at the marked locations for the mounting bolts.

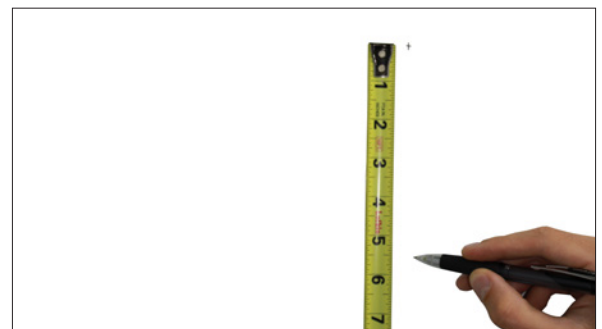


Figure 9 – Measure and scribe the top and bottom hole locations and drill holes

Step 3: Pre-install the mounting bolts onto the mounting surface allowing enough clearance to slide the mounting bracket under the head of the supplied bolts. Position the heater onto the mounting bolts and tighten securely (Figure 10, page 5).



Figure 10 – Position heater onto mounting bolts

NOTE: Proper use of supplied mounting bracket will ensure minimum distance of 1" (25 mm) from the mounting surface.



CAUTION. Never install one heater above the other. To ensure safe operation, heater must be installed as shown in Figure 11– Figure 13, page 5). Installation with fins in the incorrect orientation may result in an unsafe condition (refer to Table 2, page 6)



WARNING. Improper orientation of the heater can affect the safe and reliable operation of the heater.

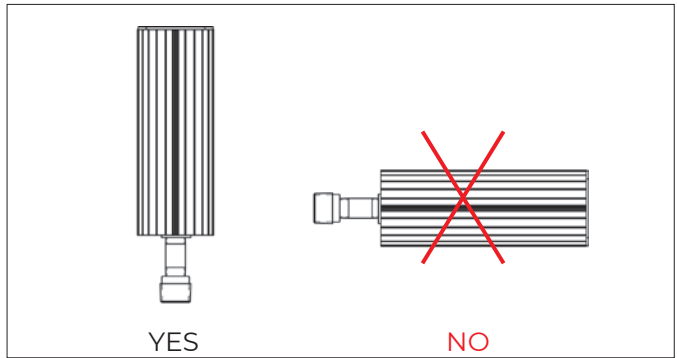
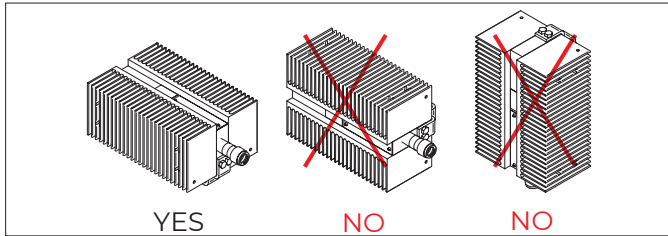
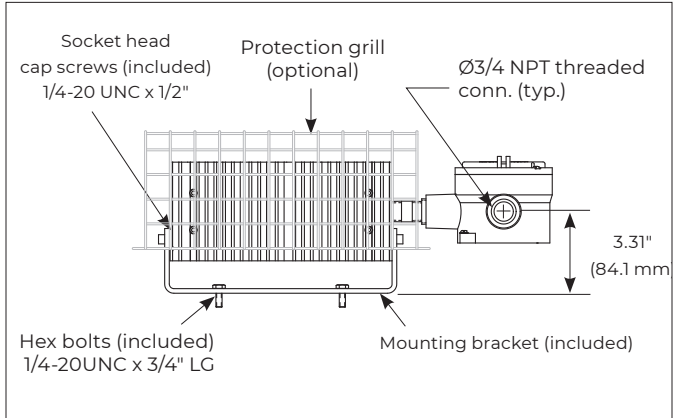


Figure 15 – XPAR heater basic mounting drawing



(horizontal and side mount)

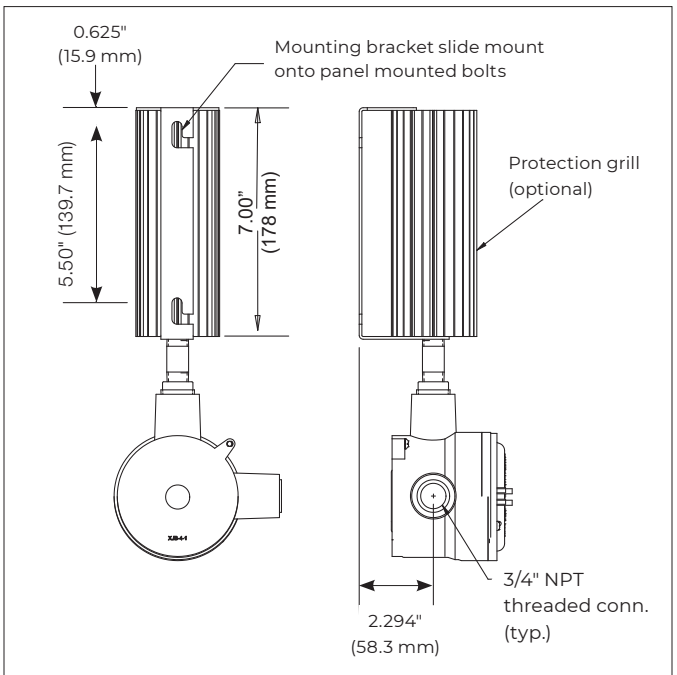
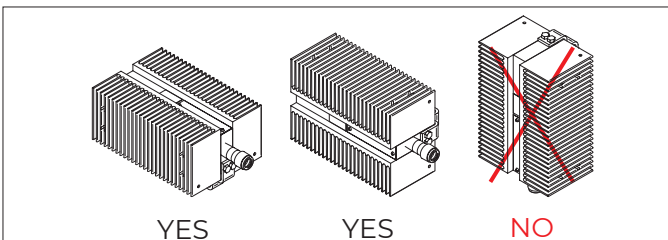


Figure 13 – XPAR heater mounting orientations (vertical only)

Figure 14 – XPAL and XPAS heater basic mounting drawing

Table 2 – Mounting orientation (Standard XPA Models)

Length	Wattage	Fig. No.	Class I, Div 1& 2, see notes for Groups				Weight lbs (kg)	Part No.
			T2/T2D	T3	T3B/T3C	T4		
4.375" (111 mm)	75	12	✓	✓	✓	✓	7.4 (3.4)	XPAS-075
	100	12	✓	✓	✓	–		XPAS-100
	125	12	✓	✓	✓	–		XPAS-125
	150	12	✓	✓	–	–		XPAS-150
	200	12	✓	✓	–	–		XPAS-200
	250	12	✓	–	–	–		XPAS-250
9" (229 mm)	100	12	✓	✓	✓	✓	12.8 (5.9)	XPAL-100
	150	12	✓	✓	✓	✓		XPAL-150
	200	12	✓	✓	✓	✓		XPAL-200
	250	11 or 12	✓	✓	✓	Horizontal Only		XPAL-250
	300	12	✓	✓	✓	–		XPAL-300
	400	11 or 12	✓	✓	Horizontal Only	–		XPAL-400
	500	12	✓	✓	–	–		XPAL-500
	600	11 or 12	✓	Horizontal Only	–	–		XPAL-600
7" (178 mm)	50	13	Vertical Only	Vertical Only	Vertical Only	Vertical Only	3.8 (1.7)	XPAL-700
	80	13	Vertical Only	Vertical Only	Vertical Only	–		XPAL-700
	125	13	Vertical Only	Vertical Only	–	–		XPAL-700
	150	13	Vertical Only	–	–	–		XPAL-700

NOTE: Groups A, B, C & D, IIC apply when XJB-4 and XTWA junction boxes. Groups C & D, IIB apply when using XT-311 and XT-411 junction boxes with adjustable thermostats.

Table 3 – High Ambient XPA Models

Length	Wattage	Fig. No.	Temperature Code				Part No.
			T2D ⁽¹⁾	T3	T3A	T3C	
4.375" (111 mm)	75	12	✓	✓	✓	✓	XPASH-075
	100	12	✓	✓	✓	n/a	XPASH-100
	125	12	✓	✓	✓	n/a	XPASH-125
	150	12	✓	n/a	n/a	n/a	XPASH-150
	200	12	✓	n/a	n/a	n/a	XPASH-200
9" (229 mm)	100	12	✓	✓	✓	✓	XPALH-100
	150	12	✓	✓	✓	✓	XPALH-150
	200	12	✓	✓	✓	✓	XPALH-200
	250	11 or 12	✓	✓	✓	Horizontal Only	XPALH-250
	300	12	✓	✓	✓	n/a	XPALH-300
	400	11 or 12	✓	Horizontal Only	Horizontal Only	n/a	XPALH-400
	500	12	✓	n/a	n/a	n/a	XPALH-500
	600	11	Horizontal Only	n/a	n/a	n/a	XPALH-600
7" (178 mm)	50	13	Vertical	Vertical	Vertical	Vertical	XPALH-700
	80	13	Vertical	Vertical	Vertical	n/a	XPALH-700
	125	13	Vertical	n/a	n/a	n/a	XPALH-700

NOTE: 1. T2D models are rated for 55°C maximum ambient temperature.
 2. All other heaters are rated for 60°C maximum ambient temperature.
 3. High ambient units only available with XJB-4 junction box.

D. WIRING

D.1 General

1. Whenever hazardous materials are present, ensure that the junction box covers are secure before energizing the heater. Follow all applicable national and local codes for hazardous location installation. The XPA heater is available with a terminal housing. A terminal housing may be required by national and/or local codes for hazardous locations.
2. Use supply wires suitable for 221°F (105°C) for standard units or 257°F (125°C) for high ambient units.
3. The connecting supply wires shall be installed to provide for permanent wiring and have adequate protection against mechanical damage.
4. Use approved conduit and conduit seals as required by the national and local codes for hazardous locations.
5. To provide maximum protection, each XPA heater should be fused individually using HRC fuses.
6. All heaters come factory prewired ready for direct connection to power supply leads (see Figure 16, page 7).
 - 6.1 Connect the power leads to terminals marked L1 and N or L2.
 - 6.2 Connect the ground wire to the ground connection located in the heater junction box cover.
7. Replace junction box cover securely. Do not over-tighten.
8. For Cable Only XPA Units, heaters must be installed to an unisolated grounded metal surface with the mounting bracket supplied. Please refer to national and/or local electrical codes for proper grounding installation in hazardous locations.

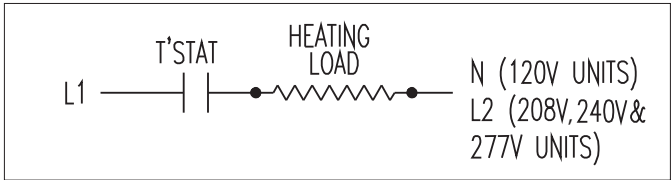


Figure 16 – Wiring diagram for XPA convection heater



WARNING. Whenever hazardous materials are present, ensure that the terminal housing covers, plugs, etc., are secured (but not over-tightened) before energizing the heater.



CAUTION. All circuits must be in the open position before removing junction or terminal box covers.



CAUTION. Use supply wires suitable for 221°F (105°C) or 257°F (125°C). Supply wires are to be fused appropriately size HRC fusing.



WARNING. Use approved conduit and conduit seals as required by hazardous location standards.



CAUTION. Ensure that no power is connected to the equipment prior to making any connections.

D.2 Wire Guard (optional)

Install wire guard by inserting wire arms into holes on heater fins.

E. START-UP

1. If the unit contains a junction box ensure the junction box lid is securely installed onto the terminal housing.
2. Check to ensure that all plugs, screws, and covers are securely in place.
3. Check associated electrical equipment.
4. Check that all wall mounting bracket connections are tight.
5. Turn on supply power.
6. If the unit is equipped with an adjustable thermostat, dial the temperature required by twisting the thermostat knob.



WARNING. To prevent unsafe operation of the heater do not exceed the maximum allowable ambient operating temperature of 104°F (40°C).



WARNING. To prevent unsafe operation of the heater do not exceed the maximum allowable ambient operating temperature of 55°C or 60°C on high ambient units.

F. MAINTENANCE

Check the following before every heating season:



WARNING. Disconnect power from the heater before performing any maintenance. Failure to do so can result in property damage, injury, or death.



WARNING. Painted and anodized surfaces have a potential risk of electrostatic discharge. Do not use a dry cloth to clean this device, use only a damp cloth.

1. Remove junction box cover and inspect the electrical connections. Ensure the connections are tight and wires are not burned or frayed.
2. Inspect the heater and its surroundings. Make sure that heater clearances are maintained and no debris is around the heater or stuck in the fins.
3. Check all mounting hardware and ensure fasteners are tight.
4. Replace the cover securely and turn on the power supply.

G. REPAIRS

1. If the heater malfunctions, and is no longer operating, send the heater to the factory for servicing. Do not attempt to service the unit.
2. Thermostat cover bolts must be replaced with four plated steel hex headbolts, M6 x 20 mm long, property class 9.8, 720 MPa minimum yield strength.
3. When returning the heater you can fill out the online repair form at:
<http://www.thermon.com/online-repair-form.php>
Or, include the following information with the heater when shipping:
 - Company name and address
 - Contact name
 - Telephone/fax number/email
 - Product model and serial numbers
 - Tagging codes
 - Advise if an estimate is required prior to starting the repair
 - P.O. Number
 - Description of problem(s) and/or require repairs
 - Special instructions (if applicable)
 - Return shipping instructions

H. TROUBLESHOOTING



WARNING. Only open the junction box if it is safe to do so!

These heaters contain a thermal fuse. If the unit is not operating within proper constraints, the unit may have overheated, causing the thermal fuse to open. Check the thermal fuse by disconnecting the power, opening the junction box and measuring the resistance across the terminals. If the resistance is infinite, the fuse has been triggered and the unit must be sent to Thermon, for repair.

NOTE: If your circuit contains a thermostat and the ambient temperature is high enough to turn off the thermostat, the measured resistance will be infinite, this test will not check the thermal fuse.



PLEASE ADHERE TO INSTRUCTIONS IN THIS MANUAL

Failure to do so may be dangerous and may void certain provisions of your warranty.

For further assistance, please call 24hr hotline: 1.800.661.8529 (U.S.A. and Canada)
Please have model and serial numbers available before calling.

WARRANTY: Under normal use the Company warrants to the purchaser that defects in material or workmanship will be repaired or replaced without charge for a period of 18 months from date of shipment, or 12 months from the start date of operation, whichever expires first. Any claim for warranty must be reported to the sales office where the product was purchased for authorized repair or replacement within the terms of this warranty.

Subject to State or Provincial law to the contrary, the Company will not be responsible for any expense for installation, removal from service, transportation, or damages of any type whatsoever, including damages arising from lack of use, business interruptions, or incidental or consequential damages.

The Company cannot anticipate or control the conditions of product usage and therefore accepts no responsibility for the safe application and suitability of its products when used alone or in combination with other products. Tests for the safe application and suitability of the products are the sole responsibility of the user.

This warranty will be void if, in the judgment of the Company, the damage, failure or defect is the result of:

- Vibration, radiation, erosion, corrosion, process contamination, abnormal process conditions, temperature and pressures, unusual surges or pulsation, fouling, ordinary wear and tear, lack of maintenance, incorrectly applied utilities such as voltage, air, gas, water, and others or any combination of the aforementioned causes not specifically allowed for in the design conditions or,
- Any act or omission by the Purchaser, its agents, servants or independent contractors which for greater certainty, but not so as to limit the generality of the foregoing, includes physical, chemical or mechanical abuse, accident, improper installation of the product, improper storage and handling of the product, improper application or the misalignment of parts.

No warranty applies to paint finishes except for manufacturing defects apparent within 30 days from the date of installation.

The Company neither assumes nor authorizes any person to assume for it any other obligation or liability in connection with the product(s).

The Purchaser agrees that all warranty work required after the initial commissioning of the product will be provided only if the Company has been paid by the Purchaser in full accordance with the terms and conditions of the contract.

The Purchaser agrees that the Company makes no warranty or guarantee, express, implied or statutory, (including any warranty of merchantability or warranty of fitness for a particular purpose) written or oral, of the Article or incidental labour, except as is expressed or contained in the agreement herein.

LIABILITY: Technical data contained in the catalog or on the website is subject to change without notice. The Company reserves the right to make dimensional and other design changes as required. The Purchaser acknowledges the Company shall not be obligated to modify those articles manufactured before the formulation of the changes in design or improvements of the products by the Company.

The Company shall not be liable to compensate or indemnify the Purchaser, end user or any other party against any actions, claims, liabilities, injury, loss, loss of use, loss of business, damages, indirect or consequential damages, demands, penalties, fines, expenses (including legal expenses), costs, obligations and causes of action of any kind arising wholly or partly from negligence or omission of the user or the misuse, incorrect application, unsafe application, incorrect storage and handling, incorrect installation, lack of maintenance, improper maintenance or improper operation of products furnished by the Company.

Edmonton

1-800-661-8529
1-780-466-3178
F 780-468-5904

Oakville

1-800-410-3131
1-905-829-4422
F 905-829-4430

Orillia

1-877-325-3473
1-705-325-3473
F 705-325-2106

Houston

1-800-654-2583
1-713-433-2600
F 713-433-4541

Denver

1-855-244-3128
1-303-979-7339
F 303-979-7350

Radiateurs muraux antidéflagration

Série XPA

Instructions d'installation, d'utilisation et d'entretien

Avertissements particuliers

Les avertissements particuliers précisés dans les sections suivantes relatives à l'installation et à l'entretien visent à fournir des renseignements importants. Chacun répond à une situation particulière et est illustré comme suit:



ATTENTION

Ce symbole indique une situation potentiellement dangereuse pouvant provoquer des blessures corporelles ou des dommages à l'appareil dans l'éventualité où celle-ci ne pourrait être évitée.



ATTENTION

Ce symbole indique une situation potentiellement dangereuse pouvant présenter un danger d'électrocution dans l'éventualité où celle-ci ne pourrait être évitée.



AVERTISSEMENT

Ce symbole indique une situation potentiellement dangereuse pouvant provoquer une mort ou des blessures graves dans l'éventualité où celle-ci ne pourrait être évitée.



TABLE DES MATIÈRES

A. Certifications du produit	12
B. Avant l'installation	12
C. Installation	13
C.1 Exigences générales.....	13
C.2 Installation du support de montage: Radiateurs XPAL et XPAS.....	14
C.3 Installation du support de montage: Radiateurs XPAR.....	14
D. Câblage	17
D.1 Général.....	17
D.2 Grillage de protection (en option).....	17
E. Mise en marche	17
F. Entretien	18
G. Réparations	18
H. Dépannage	18


Conditions particulières d'utilisation:

- L'appareil de chauffage doit être utilisé à des fins industrielles uniquement et ne doit pas être utilisé comme appareil de chauffage de confort
- L'appareil de chauffage est destiné à être installé dans un boîtier électrique ou d'instrumentation ou un boîtier d'équipement
- Le câble de connexion doit être installé pour fournir un câblage permanent et une protection adéquate.
- Les joints de conduit, lorsqu'ils sont utilisés, doivent être installés immédiatement à côté de l'enceinte.
- L'appareil doit être installé conformément au schéma d'installation du fabricant numéro M11882.
- Thermostat XT-311, le cas échéant, Si le remplacement des boulons du couvercle est nécessaire, ceux-ci doivent être remplacés par quatre boulons à tête hexagonale en acier plaqué, M6 x 20 mm de long, classe de propriété 9.8, limite d'élasticité minimale de 720 MPa.
- Les presse-étoupes Peppers A3LCF, lorsqu'ils sont utilisés, sont certifiés avec une taille spécifique de bague d'étanchéité FLP par taille de presse-étoupe tel que fourni,
- Les presse-étoupes Peppers A3LCF, lorsqu'ils sont utilisés, ne doivent pas être utilisés dans des boîtiers où la température au point d'entrée/de montage est en dehors de la plage : -60 °C à +180 °C pour les variantes à joint en silicone (blanc)
- Les entrées de câbles Peppers A3LCF, lorsqu'elles sont utilisées, ne conviennent que pour les installations fixes. Les câbles doivent être bien serrés pour éviter de tirer ou de se tordre.
- La gamme de presse-étoupes Peppers A3LCF, lorsqu'ils sont utilisés, lorsqu'ils sont installés conformément aux instructions du fabricant et avec un boîtier approprié sur lequel ils sont fixés, sont capables de fournir une protection IP66 et IP68 (50 mètres 7 jours).
- Les presse-étoupes Hawke 501/414, lorsqu'ils sont utilisés, conviennent à une utilisation dans une plage de températures de fonctionnement de -60°C à +100°C.
- Les presse-étoupes Hawke 501/414, lorsqu'ils sont utilisés, pour une utilisation avec des conduits, des câbles non armés ou tressés ne conviennent que pour les installations fixes, dont le câble doit être efficacement serré pour éviter la traction et la torsion.
- Condition pour les joints non standard : "L'équipement a des joints antidéflagrants, qui diffèrent de ceux de la CEI 60079-1 et ne sont pas destinés à être réparés par l'utilisateur.

A. CERTIFICATIONS DU PRODUIT

Selon le modèle particulier commandé, le radiateur est approprié pour les zones suivantes:

- Certifié CSA C/US pour la Classe I, Division 1, Groupes A, B, C, D ou Groupes C, D, CSA Type 4; code de température T2 (215 °C) T2D, T3, T3B, T3C ou T4

- ATEX  II 2G Ex db IIC ou IIB, T2 (215 °C), T3 ou T4, Gb, IP66
- IECEx Ex db IIC ou IIB, T2 (215 °C), T3 ou T4, Gb, IP66

Remarque: - Standard XPA Models: -50°C to +40°C
- Les modèles XPA à température Ambiante Élevée -50°C to +55°C or 60°C selon modèle .

B. AVANT L'INSTALLATION

1. Inspecter d'abord le radiateur afin de repérer d'éventuels dommages causés par le transport et la manutention. Les réclamations pour les dommages causés par le transport doivent être déposées auprès du transporteur.
2. Vérifier la plaque signalétique du radiateur afin de confirmer que la classification de zone et le code de température du radiateur sont adaptés à la classification de la zone dangereuse. Pour obtenir plus de renseignements relativement aux emplacements présentant des dangers potentiels de déflagration, se reporter au Code canadien de l'électricité ou au Code national de l'électricité.
3. Vérifier que le voltage requis par le radiateur correspond à la tension d'alimentation.
4. Le radiateur doit être installé par un personnel qualifié se conformant strictement aux codes nationaux et locaux de l'électricité.



AVERTISSEMENT. Ne pas brancher le radiateur dans une alimentation électrique d'une tension autre que celle indiquée sur la plaque signalétique du produit.



Figure 1 – Radiateur à convection des séries XPAL/XPAS

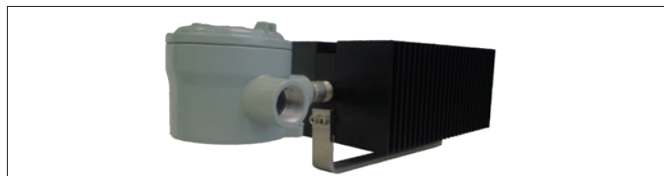


Figure 2 – Radiateur à convection des séries XPAL/XPAS



Figure 3 – Radiateur à convection de série XPAR

C. INSTALLATION

C.1 Exigences générales

1. Le radiateur XPA est destiné à un usage industriel et doit être installé dans une enceinte. La fonction principale de ce radiateur est de prévenir les effets néfastes de l'humidité et de la condensation sur les composants qui se trouvent à l'intérieur de l'enceinte. Il n'a pas été conçu pour être utilisé comme appareil de chauffage de confort.
2. Les radiateurs XPAL et XPAS sont approuvés pour un montage sur la cloison d'une enceinte, horizontalement ou sur le côté, avec la boîte de jonction sur le côté (voir le Tableau 2, page 14). Les radiateurs XPAR sont approuvés pour un montage vertical uniquement avec la boîte de jonction en bas. Confirmer que la cloison de l'enceinte est suffisamment solide pour soutenir le radiateur dont le poids, selon le modèle, peut atteindre 15 lb (7 kg).
3. Ne pas encastrer le radiateur XPA dans le mur. Utiliser le support fourni avec l'appareil pour respecter l'espacement minimal requis à partir du mur de 1 po (25 mm).
4. Si plus d'un radiateur est installé, respecter une distance d'éloignement minimale de 3 po (76 mm) entre les pièces extrudées des radiateurs adjacents.
5. Le radiateur XPA utilise la convection naturelle et le rayonnement thermique sans émission de lumière pour le transfert de la chaleur dans son environnement. Voir le Tableau 1, page 13 pour connaître les distances minimales au-dessus du radiateur.

Tableau 1 – Distance minimale au-dessus du radiateur

Code T	XPAS		XPAL Montage sur le côté		XPAL Horizontal		XPAR Vertical	
	po	mm	po	mm	po	mm	po	mm
T4	6	152	6	152	6	152	6	152
T3C/T3B	6	152	6	152	9	229	6	152
T3	12	305	9	229	12	305	9	229
T2D	15	381	12	305	18	457	12	305

6. Maintenir un espacement de 3 po (76 mm) et JAMAIS MOINS DE 1 po (25 mm) à l'avant et sur les côtés du radiateur.
7. Les radiateurs XPAL et XPAS nécessitent un flux convectif vertical à travers les ailettes pour fonctionner correctement. L'appareil doit être monté à l'horizontale ou sur le côté, selon le cas. Le radiateur ne doit en aucun cas être monté verticalement sur son extrémité avec la boîte de jonction en haut ou en bas et les surfaces planes des ailettes dans une position horizontale. Le radiateur XPAR doit être monté verticalement avec la boîte de jonction en bas. Voir les figures 11, 12 et 13 pour connaître les orientations de montage admissibles.



ATTENTION. La surface du radiateur est chaude lorsque le radiateur est sous tension. S'assurer de conserver tout combustible loin du radiateur et respecter les distances de dégagement recommandées en tout temps.

C.2 Installation du support de montage: Radiateurs XPAL et XPAS

Installer le radiateur à l'aide de la quincaillerie fournie conformément aux figures et aux instructions ci-dessous (Figure 14 et Figure 15, page 15).

Étape 1: Faire des lignes sur la surface de montage de façon à indiquer l'emplacement du haut et des côtés du support de montage après l'installation (Figure 4 et Figure 5, page 14).

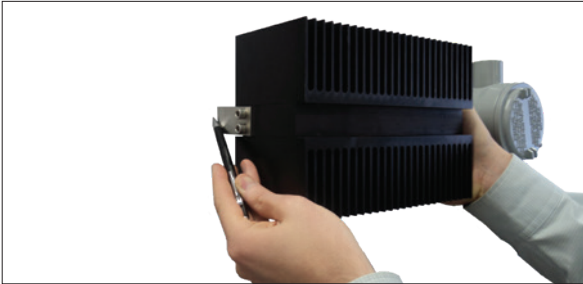


Figure 4 – Marquage du haut du support de montage



Figure 5 – Marquage du côté du support de montage

Étape 2: Retirer le support de montage du radiateur et l'installer sur la surface de montage, en alignant le support avec les marques faites à l'étape 1 (Figure 6, page 14).



Figure 6 – Installation du support de montage.

Étape 3: Fixer le radiateur au support en serrant les vis hexagonales à tête creuse fournies dans les trous filetés situés à chaque extrémité du radiateur (Figure 7, page 14).



Figure 7 – Fixation du support de montage au radiateur lui-même

C.3 Installation du support de montage: Radiaeurs XPAR

Étape 1: Faire une marque dans la surface de montage indiquant l'endroit où la partie supérieure du support de montage

sera située après l'installation (Figure 8, page 14).



Figure 8 – Marquage de l'emplacement de la partie supérieure du support de montage.

Étape 2: Faire une marque 0,625 po (16 mm) sous la marque faite précédemment pour l'emplacement du boulon supérieur. Faire une marque 5,5 po (140 mm) sous l'emplacement du boulon supérieur pour indiquer l'emplacement du boulon inférieur (Figure 9, page 14). Percer des trous aux emplacements marqués pour les boulons de fixation.

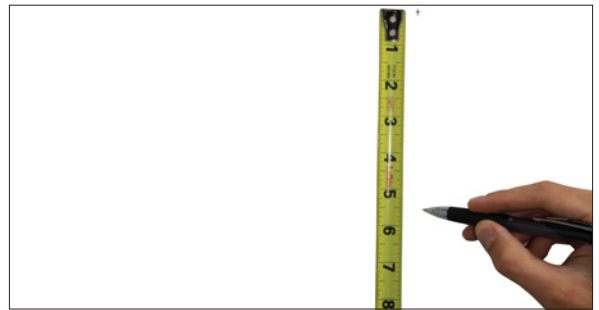


Figure 9 – Mesure et marquage des emplacements de fixation supérieurs et inférieurs et forage des trous.

Étape 3: Préinstaller les boulons de montage sur la surface de montage en laissant un dégagement suffisant pour faire glisser le support de montage sous la tête des boulons fournis. Placer le radiateur sur les boulons de montage et serrer fermement (Figure 10, page 14).



Figure 10 – Mise en place du radiateur sur les boulons de montage.

Remarque: Une bonne utilisation du support de montage fourni assurera le respect de la distance minimum de 1 po (25 mm) par rapport à la surface de montage.



ATTENTION. Ne jamais installer un radiateur au-dessus d'un autre radiateur. Afin d'assurer un fonctionnement sécuritaire, le radiateur doit être installé comme illustré dans les figures 11, 12 et 13. Une installation où les ailettes ne sont pas dans la bonne orientation pourrait causer une situation dangereuse (voir le tableau 2).



AVERTISSEMENT. Une mauvaise orientation du radiateur pourrait réduire la sécurité et la fiabilité du fonctionnement du radiateur.

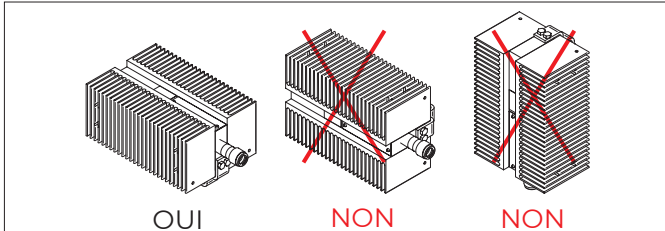


Figure 11 – Orientations de montage des radiateurs XPAL et XPAS – à l'horizontale seulement.

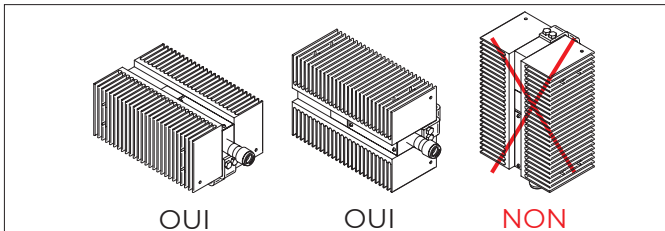


Figure 12 – Orientations de montage des radiateurs XPAL et XPAS – à l'horizontale et sur le côté.

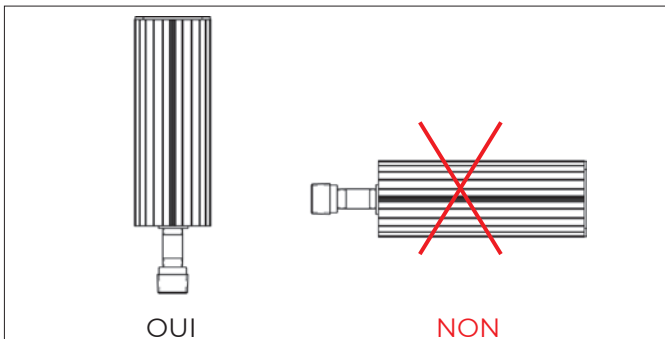


Figure 13 – Orientation de montage du radiateur XPAR – à la verticale seulement.

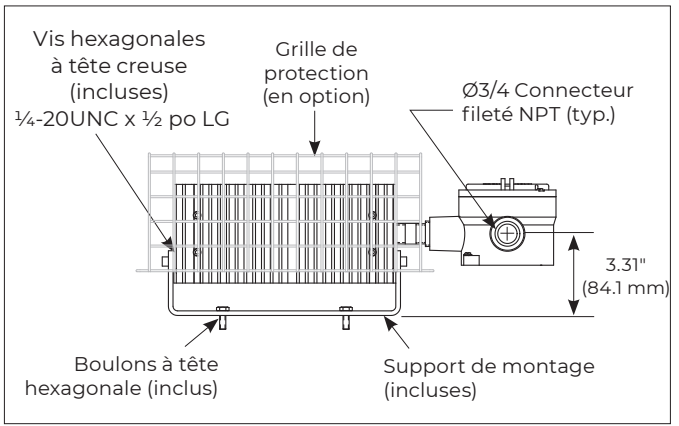


Figure 14 – Schéma de montage de base des radiateurs XPAL et XPAS.

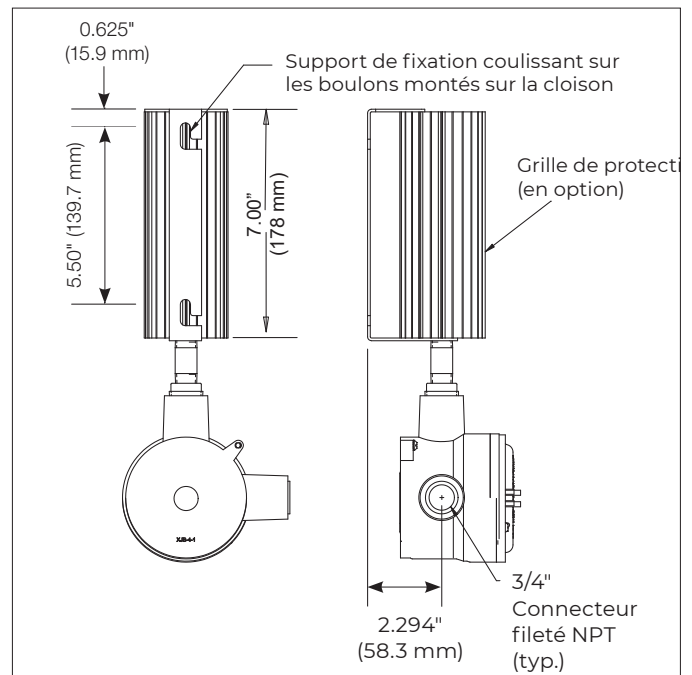


Figure 15 – Schéma de montage de base du radiateur XPAR

Tableau 2 - Orientation de montage (Modèles XPA Standard)

La Longueur	Les Watts	Le Numéro Du Tableau	Class I, Div 1& 2, les remarques pour les groupes				Le Poids lbs (kg)	Le Numéro De La Pièce
			T2/T2D	T3	T3B/T3C	T4		
4.375" (111 mm)	75	12	✓	✓	✓	✓	7.4 (3.4)	XPAS-075
	100	12	✓	✓	✓	-		XPAS-100
	125	12	✓	✓	✓	-		XPAS-125
	150	12	✓	✓	-	-		XPAS-150
	200	12	✓	✓	-	-		XPAS-200
	250	12	✓	-	-	-		XPAS-250
9" (229 mm)	100	12	✓	✓	✓	✓	12.8 (5.9)	XPAL-100
	150	12	✓	✓	✓	✓		XPAL-150
	200	12	✓	✓	✓	✓		XPAL-200
	250	11 or 12	✓	✓	✓	Horizontal Seulement		XPAL-250
	300	12	✓	✓	✓	-		XPAL-300
	400	11 or 12	✓	✓	Horizontal Seulement	-		XPAL-400
	500	12	✓	✓	-	-		XPAL-500
	600	11 or 12	✓	Horizontal Seulement	-	-		XPAL-600
7" (178 mm)	50	13	Vertical Seulement	Vertical Seulement	Vertical Seulement	Vertical Seulement	3.8 (1.7)	XPAS-050
	80	13	Vertical Seulement	Vertical Seulement	Vertical Seulement	-		XPAS-080
	125	13	Vertical Seulement	Vertical Seulement	-	-		XPAS-125
	150	13	Vertical Seulement	-	-	-		XPAS-150

Remarque: Pour les groupes A, B, C et D : IIC s'applique lorsque les boîtes de jonction XJB-4 et XTWA sont employées.
 Pour les groupes C et D : IIB s'applique lorsque les boîtes de jonction avec thermostats XT-311 et XT-411 sont employées.

Tableau 3 - Les modèles XPA à température Ambiante Élevée

La Longueur	Les Watts	Le Numéro Du Tableau	Code De Température				Le Numéro De La Pièce
			T2D ⁽¹⁾	T3	T3A	T3C	
4.375" (111 mm)	75	12	✓	✓	✓	✓	XPASH-075
	100	12	✓	✓	✓	n/a	XPASH-100
	125	12	✓	✓	✓	n/a	XPASH-125
	150	12	✓	n/a	n/a	n/a	XPASH-150
	200	12	✓	n/a	n/a	n/a	XPASH-200
9" (229 mm)	100	12	✓	✓	✓	✓	XPALH-100
	150	12	✓	✓	✓	✓	XPALH-150
	200	12	✓	✓	✓	✓	XPALH-200
	250	11 or 12	✓	✓	✓	Horizontal Seulement	XPALH-250
	300	12	✓	✓	✓	n/a	XPALH-300
	400	11 or 12	✓	Horizontal Seulement	Horizontal Seulement	n/a	XPALH-400
	500	12	✓	n/a	n/a	n/a	XPALH-500
600	11	Horizontal Seulement	n/a	n/a	n/a	XPALH-600	
7" (178 mm)	50	13	Vertical Seulement	Vertical Seulement	Vertical Seulement	Vertical Seulement	XPARH-050
	80	13	Vertical Seulement	Vertical Seulement	Vertical Seulement	n/a	XPARH-080
	125	13	Vertical Seulement	n/a	n/a	n/a	XPARH-125

Remarque 1. Les modèles T2D sont évalués pour une température ambiante maximale de 55C.

2. Tous les autres chauffages sont évalués pour une température ambiante de 60C.

3. Les unités à haute température ambiante ne sont que disponibles avec les boîtes de jonction XJB-4.

D. CÂBLAGE

D.1 Général

1. Lorsque des matières dangereuses sont présentes, veiller à ce que les couvercles de la boîte de jonction soient bien en place avant de mettre le radiateur sous tension. Suivre tous les codes nationaux et locaux applicables pour l'installation dans un emplacement dangereux. Le radiateur XPA est offert avec un boîtier terminal. Un boîtier terminal peut être exigé par les codes nationaux et/ou locaux pour les endroits dangereux.
2. Utiliser des câbles d'alimentation conçus pour une température de 221°F (105°C) ou 257°F (125°C) for haute ambiante.
3. Les câbles d'alimentation doivent être installés pour assurer un câblage permanent et une protection adéquate contre les dommages mécaniques.
4. Utiliser des conduits et des joints d'étanchéité de conduit homologués et conformes aux codes nationaux ou locaux en matière d'emplacements dangereux.
5. Pour assurer une protection maximale, chaque radiateur XPA devrait avoir son propre fusible HPC.
6. Tous les radiateurs sont précâblés en usine et prêts pour une connexion directe aux câbles d'alimentation (voir la Figure 16, page 17).
 - 6.1 (Connecter les câbles d'alimentation aux bornes marquées L1 et N ou L2.
 - 6.2 Brancher le câble de mise à la terre à la prise de terre située dans le couvercle de la boîte de jonction du radiateur.
7. Bien remettre le couvercle de la boîte de jonction en place. Ne pas trop serrer.
8. Pour les appareils XPA avec câble nu, les radiateurs doivent être installés sur une surface métallique non isolée et mise à la terre avec le support de montage fourni. Voir les codes électriques nationaux et/ou locaux pour l'installation d'une mise à la terre adéquate dans les endroits dangereux.

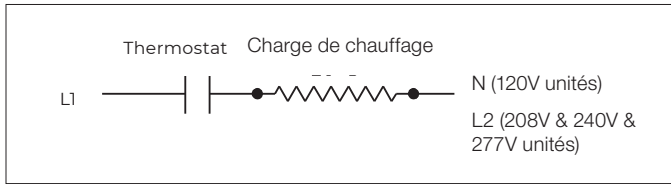


Figure 16 – Schéma de câblage – Radiateur à convection XPA



AVERTISSEMENT. Lorsque des matières dangereuses sont présentes, veiller à ce que les couvercles du boîtier abritant les bornes, les fiches, etc., soient bien en place (sans être trop serrés) avant de mettre le radiateur sous tension.



ATTENTION. Tous les circuits doivent être ouverts avant de retirer les couvercles de la boîte de jonction ou du caisson de borne.



ATTENTION. Utiliser des câbles d'alimentation conçus pour une température de 221°F (105°C) ou 257°F (125°C). Les câbles d'alimentation doivent être raccordés à un fusible HPC de calibre adéquat.



AVERTISSEMENT. Utiliser des conduits et des joints d'étanchéité de conduit homologués conformes aux emplacements dangereux.



ATTENTION. Assurez-vous qu'aucun courant électrique est branché à l'équipement avant de faire toutes connexions.

D.2 Grillage de protection (en option)

Installer un grillage de protection en insérant les pattes du grillage dans les trous sur les ailettes du radiateur.

E. MISE EN MARCHÉ

1. Si l'appareil contient une boîte de jonction, confirmer que le couvercle de la boîte de jonction est solidement installé sur le boîtier abritant les bornes.
2. Vérifier que les fiches, les vis et les couvercles sont solidement en place.
3. Vérifier les équipements électriques connexes.
4. Vérifier que tous les ancrages du support de fixation au mur sont bien serrés.
5. Mettre sous tension.
6. Si l'appareil est équipé d'un thermostat réglable, ajuster la température requise en tournant le bouton du thermostat.



AVERTISSEMENT. Afin d'éviter tout fonctionnement non sécuritaire du radiateur, ne pas dépasser la température ambiante de fonctionnement maximale permise de 104°F (40°C).



AVERTISSEMENT. Afin d'éviter tout fonctionnement non sécuritaire du radiateur, ne pas dépasser la température ambiante de fonctionnement maximale permise de 55°C ou 60°C pour les appareils à température ambiante élevée.

F. ENTRETIEN

Vérifier les éléments suivants avant chaque saison de chauffage:



AVERTISSEMENT. Débrancher l'alimentation du radiateur avant d'effectuer un entretien. Ne pas respecter cette directive peut causer des dommages matériels, des blessures ou provoquer la mort.



AVERTISSEMENT. Les surfaces peintes et anodisées présentent un risque potentiel de décharge électrostatique. Ne pas utiliser un chiffon sec pour nettoyer ce radiateur, utiliser uniquement un chiffon humide.

1. Retirer le couvercle de la boîte de jonction et inspecter les connexions électriques. Confirmer que les connexions sont serrées et que les câbles ne sont pas brûlés ou effilochés.
2. Inspecter le radiateur et ses environs. Confirmer que les distances de dégagement du radiateur sont respectées et qu'aucun débris ne se trouve autour du radiateur ou n'est collé aux ailettes.
3. Vérifier tout le matériel de montage et confirmer que les fixations sont bien serrées.
4. Remettre le couvercle en place en le fixant solidement et mettre sous tension.

G. RÉPARATIONS

1. En cas de dysfonctionnement du radiateur et d'arrêt de son fonctionnement, envoyer le radiateur à l'usine pour une réparation. Ne pas tenter de réparer l'appareil.
2. Les boulons du couvercle du thermostat doivent être remplacés par quatre boulons à tête hexagonale en acier plaqué, M6 x 20 mm de long, classe de propriété 9.8, limite d'élasticité minimale de 720 MPa.
3. Lors du retour du radiateur, veuillez remplir le formulaire de réparation en ligne à l'adresse:
<http://www.thermon.com/onlinerepair-form.php>
Ou, inclure les informations suivantes avec le radiateur lors de l'expédition:
 - Nom et adresse de l'entreprise
 - Personne-ressource
 - Numéro de téléphone, numéro de télécopieur, adresse courriel
 - Numéros du modèle et de série du produit
 - Codes de marquage
 - Précisez si une estimation est nécessaire avant d'effectuer la réparation
 - Numéro du bon d'achat
 - Description du ou des problèmes et/ou des réparations requises
 - Instructions particulières (le cas échéant)
 - Instructions d'expédition pour le retour

H. DÉPANNAGE

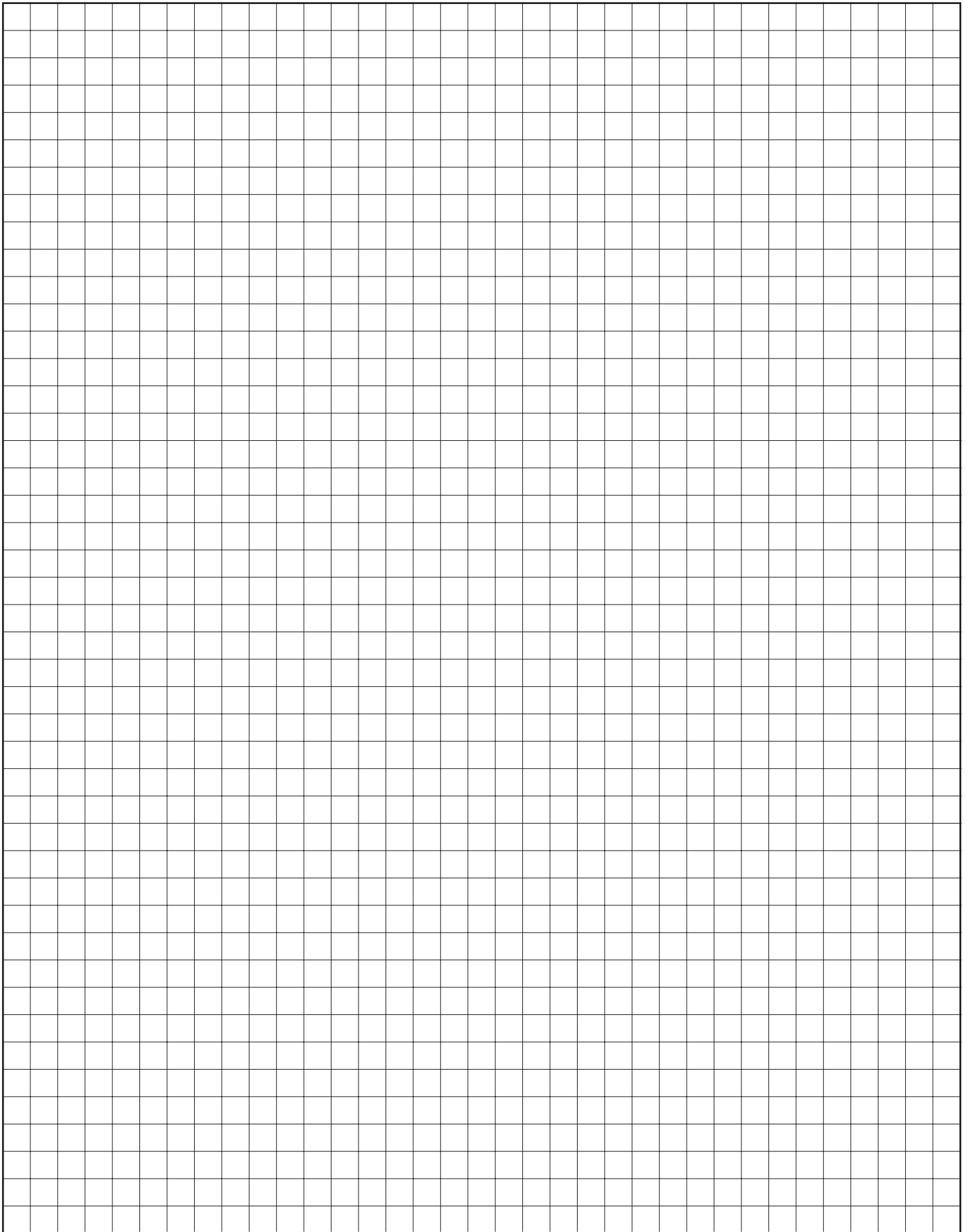


AVERTISSEMENT. Seulement ouvrir la boîte de jonction s'il est sécuritaire de le faire!

Ces radiateurs contiennent un fusible thermique. Si l'appareil ne fonctionne pas en respectant les contraintes appropriées, il pourrait avoir surchauffé, provoquant l'ouverture du fusible thermique. Vérifier le fusible thermique en déconnectant l'alimentation, en ouvrant la boîte de jonction et en mesurant la résistance entre les bornes. Si la résistance est infinie, le fusible a été déclenché et l'appareil doit être envoyé à Thermon pour réparation.

Remarque: Si votre circuit contient un thermostat et que la température ambiante est suffisamment élevée pour éteindre le thermostat, la résistance mesurée sera infinie et ce test ne vérifiera pas le fusible thermique.

NOTES





VEUILLEZ VOUS CONFORMER AUX INSTRUCTIONS CONTENUES DANS CE MANUEL.

Tout manquement à ces dernières pourrait s'avérer dangereux et invalider certaines dispositions de votre garantie.

Pour obtenir une aide supplémentaire, veuillez appeler: 1-800-661-8529 (U.S.A. and Canada)
Merci de préparer vos numéros de modèle et de série avant d'appeler.

GARANTIE: Dans des conditions normales d'utilisation, la Société garantit à l'acheteur que les produits ayant des défauts matériels ou de fabrication seront réparés ou remplacés sans frais pour une période de 18 mois à compter de la date d'expédition ou 12 mois à partir de la date de début de fonctionnement, selon la date qui arrive à expiration la première. Toute réclamation dans le cadre de la garantie doit être adressée à l'agence commerciale dans laquelle le produit a été acheté afin d'obtenir une réparation ou un remplacement selon les termes de cette garantie.

Non obstant toute loi fédérale ou provinciale au contraire, la Société ne pourra être tenue pour responsable des frais encourus pour l'installation, le retrait du service, le transport ou les dommages de quelque nature que ce soit, y compris les dommages résultant d'un manque d'utilisation, d'interruptions d'activité ou de dommages directs ou indirects.

La Société ne peut anticiper ou contrôler les conditions d'utilisation du produit et, par conséquent, décline toute responsabilité quant à l'application et l'adaptation en toute sécurité de ses produits lors de leur utilisation seuls ou en combinaison avec d'autres produits. Il est de la seule responsabilité de l'utilisateur d'effectuer des tests pour vérifier l'application et l'adaptation en toute sécurité des produits.

Cette garantie sera nulle si, à l'appréciation de la Société, le dommage, la panne ou le défaut a été causé par:

- Des vibrations, des radiations, de l'érosion, de la corrosion, une contamination du processus, des conditions opératoires anormales, le température et la pression, une poussée ou une pulsation anormale, l'encrassement, une usure normale, un manque d'entretien, des services appliqués de manière inappropriée tels que le voltage, l'air, le gaz l'eau et autres, ou toute autorisées par les conditions de régime; ou
- Tout acte omission de la part de l'acheteur ses agents, employés ou entrepreneur indépendant, comprenant pour une plus grande précision, mais pas au point de limiter la généralité de ce qui précède, une mauvaise utilisation physique, chimique ou mécanique, un accident, une mauvaise installation du produit, de mauvaises conditions de stockage ou de manipulation du produit, une application inappropriée ou en défaut d'alignement des pièces.

Aucune garantie ne s'applique à la finition de peinture, excepté dans le cas de défauts de fabrication apparents dans les 30 jours à compter de la date d'installation.

Le Société n'assume ni m'autorise aucune personne à assumer en son nom toute autre obligation ou responsabilité en rapport avec le/les produit(s).

L'acheteur accepte que la Société ne fournisse aucune garantie, expresse, implicite ou légale (y comprise toute garantie de qualité marchande ou de convenance à des fins particulières), écrite ou orale, du produit ou de la main-d'oeuvre indirecte, à l'exception des dispositions exprimées ou contenues dans le présent accord.

RESPONSABILITÉ: Les données techniques contenues dans le catalogue ou sur le site Web sont sujettes à modification sans préavis. La Société se réserve le droit d'apporter des modifications par rapport aux dimensions ou à la conception si nécessaire. L'acheteur reconnaît que la Société ne sera pas dans l'obligation de modifier ces articles manufacturés avant la formulation des modifications de conception ou des améliorations apportées au produit par la Société

La Société ne sera pas tenue de dédomager ou d'indemniser l'acheteur, l'utilisateur final ou toute autre partie pour les actions, les réclamations les responsabilités, les préjudices les sinistres, la perte d'usage, la perte d'activité, les dommages, les dommages indirects ou consécutifs, les demandes, les sanctions, les amendes, les dépenses (y compris les dépenses légales), les pertes, les obligations et les conséquences d'une action de quelque nature que ce soit découlant entièrement ou en partie de la négligence ou de l'omission de l'utilisateur ou de la mauvaise utilisation, de la mauvaise application, de l'utilisation dangereuse, de mauvaise installation, du manque d'entretien, du mauvais entretien ou de la mauvaise opération des produits fournis par la Société.

Edmonton
1-800-661-8529
1-780-466-3178
F 780-468-5904

Oakville
1-800-410-3131
1-905-829-4422
F 905-829-4430

Orillia
1-877-325-3473
1-705-325-3473
F 705-325-2106

Houston
1-800-654-2583
1-713-433-2600
F 713-433-4541

Denver
1-855-244-3128
1-303-979-7339
F 303-979-7350