



DISPENSERS



PUMPS



METERS



METERED NOZZLES



NOZZLES

SELF SERVICE MC

FEATURES

- MULTI-USER MANAGEMENT
- BUILT-IN FILTER
- ALL-IN-ONE DISPENSER
- COMPACT DESIGN
- COMPATIBLE WITH SSM2018 SOFTWARE

The PIUSI Self Service MC is the combination of the PIUSI MC technology and the Suzzarablue product range. This DEF dispenser is composed of the MC panel, the Suzzarablue pump, the SB325 nozzle, the K24 pulse meter and 3D filter.

PERFORMANCE

version

AC/DC

available

VOLTAGE

up to

9 GPM

FLOW RATE

± 1%

ACCURACY



SELF SERVICE MC

PACKAGING

PART #	WEIGHT		PACKAGING		N. BOXES/ EUROPALET	
	KG	LBS	IN	PCS/BOX		
FO0744020	50	110	58X19X15.7	1	6*	4



FILTRATION



FLUID MONITORING



HOSE REELS



ACCESSORIES



AIR



ANTIFREEZE



DEF



BIODIESEL



DIESEL



FOOD



GASOLINE



GREASE



KEROSENE



OIL

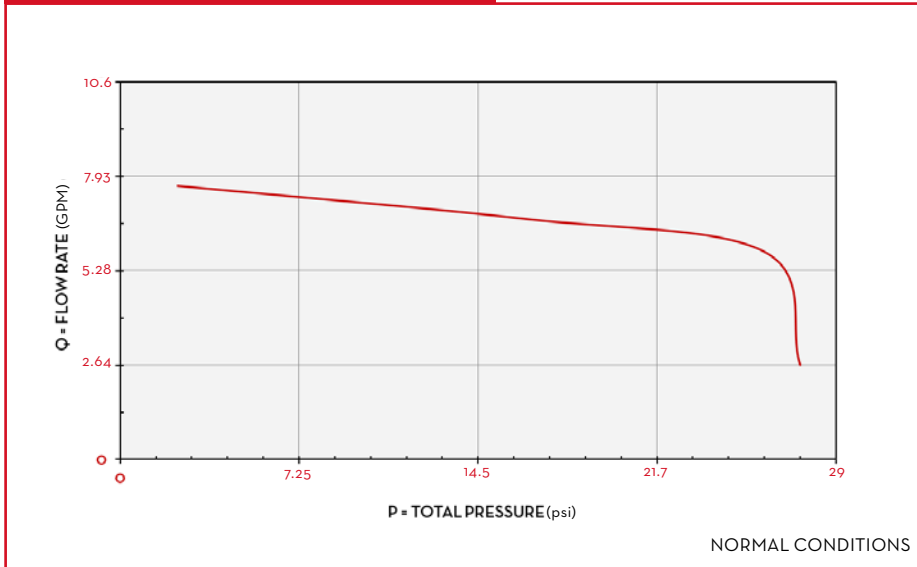


WATER



WINDSCREEN

CHARTS



IN THE BOX

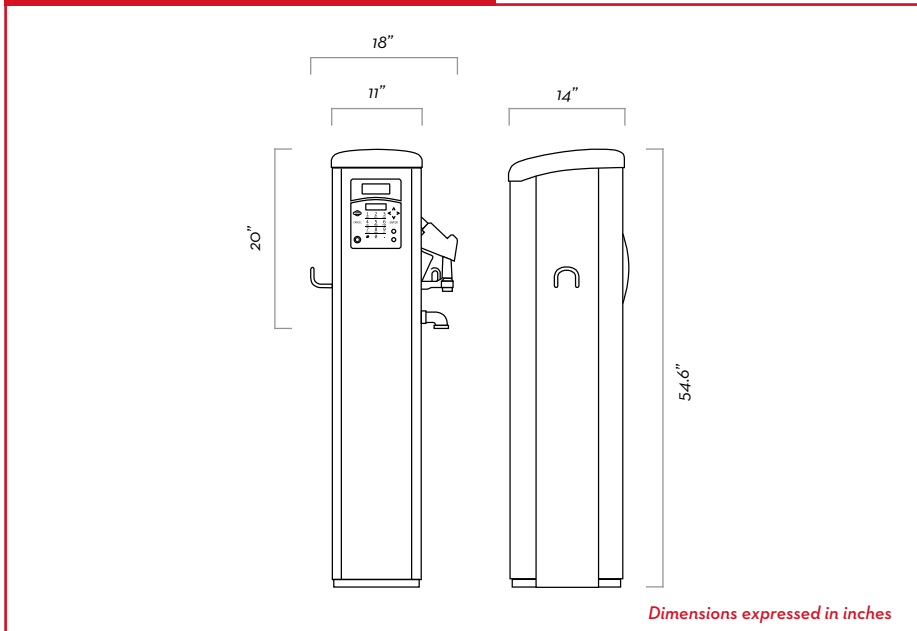
- SELF SERVICE MC UNIT
- DELIVERY HOSE
- SB325_X NOZZLE
- INSTRUCTION MANUAL

DETAILS



SSM 2018 SW (PAG. 108)

DIMENSIONS



MATERIALS

- PUMP:
- S.B. PUMP AC
- NOZZLE:
- SB325
- FILTER:
- 3D FILETR

TECHNICAL DATA

PART #	DESCRIPTION	FLUIDS TYPE	FLOW RATE		VOLTAGE			METER	NOZZLE	FILTER	INLET	DELIVERY HOSE	
			L/MIN	GPM	AC V./HZ	DC VOLT	POWER WATT						AMP. MAX.
FO0744020	SELF SERVICE MC DEF	D	34	9	120/60		400	1.95	K24	SB325	YES	3/4"	20 FT

SELF SERVICE MC

DISPENSERS