

IMPORTANT INFORMATION - FOLLOW ALL INSTRUCTIONS

Please contact your OPW-FCS sales representative or OPW-FCS customer service representative at 1-800-422-2525 for OPW-FCS products installation procedures. All OPW-FCS literature including installation instruction sheets and manuals can be accessed from the OPW-FCS website at: www.opwfcs.com.

The use of non-qualified personnel or any deviations from these recommended procedures could result in damage or leakage of the system.

IMPORTANT: Please read all warnings and follow the use instructions completely and carefully. Failure to do so will void all warranties and may cause product failure or result in environmental contamination due to liquid leakage into the soil, creating hazardous spill conditions.

WARNING - DANGER: Using electrically operated equipment near gasoline or gasoline vapors may result in fire or explosion, causing personal injury and property damage. Be sure that the working area is free from such hazards, and always use proper precautions.

FlexWorks Access Pipe Cutters are designed to provide a convenient means to cut secondary access pipe. Models available in 3" and 4".

- SPC-300 used on 3" Access Pipe
- SPC-400 used on 4" Access Pipe

Step 1 (See Figure 1): Using the tip of the blade, insert the FlexWorks SPC pipe cutter into the lower flat of the corrugated pipe. Snap the SPC until it is completely secured onto the pipe. Make sure handle is inserted in adjacent corrugation slot.

Step 2 (See Figure 2): Rotate SPC handle until the pipe becomes completely severed.

Step 3: Inspect finished end for possible burrs, use sand paper if required for smooth surface.

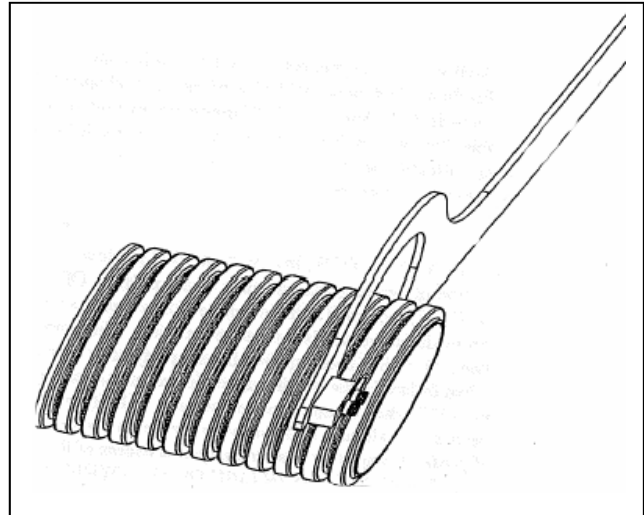


Figure 1

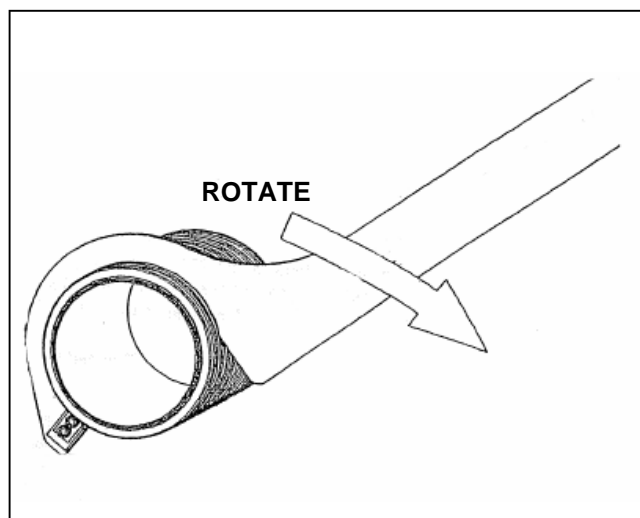


Figure 2

Notice: FlexWorks products must be used in compliance with applicable federal, state, and local laws and regulations. Product selection should be based on physical specifications and limitations and compatibility with the environment and material to be handled. OPW makes no warranty of fitness for a particular use. All illustrations and specifications in this literature are based on the latest production information available at the time of publication. Prices, materials, and specifications are subject to change at any time, and models may be discontinued at any time, in either case, without notice or obligation.

Product Warranty

OPW warrants that products sold by it are free from defects in materials and workmanship for a period of one year from the date of shipment by OPW. As the exclusive remedy under this limited warranty, FlexWorks by OPW, Inc., will at its sole discretion, repair, replace, or issue credit for future orders for any product that may prove defective within the one year period. This warranty shall not apply to any product that has been altered in any way, which has been repaired by any party other than a service representative authorized by OPW or when failure is due to misuse, conditions of use, or improper installation or maintenance. Neither OPW Fueling Containment Systems nor OPW shall in any instance have any liability whatsoever for special, incidental or consequential damages to any party and shall have no liability for the cost of labor, freight, excavation, clean up, downtime, removal, reinstallation, loss of profit, or any other cost or charges in excess of the amount of the original invoice for the products.

THIS WARRANTY IS IN LIEU OF ALL OTHER WARRANTIES, EXPRESS OR IMPLIED, AND SPECIFICALLY THE WARRANTIES OF MERCHANTABILITY AND FITNESS FOR A PARTICULAR PURPOSE. THERE ARE NO WARRANTIES WHICH EXTEND BEYOND THE DESCRIPTION ON THE FACE HEREOF.

IMPORTANT INFORMATION - FOLLOW ALL INSTRUCTIONS

Please contact your OPW-FCS sales representative or OPW-FCS customer service representative at 1-800-422-2525 for OPW-FCS products installation procedures. All OPW-FCS literature including installation instruction sheets and manuals can be accessed from the OPW-FCS website at: www.opwfcs.com.

The use of non-qualified personnel or any deviations from these recommended procedures could result in damage or leakage of the system.



OPW Fueling Containment Systems
3250 US 70 Business West
Smithfield, NC 27577
Customer Service: (800)-422-2525
Customer Service Fax: (800)-421-3297
Technical Questions: (919)-934-2786 x104
Literature Requests: (919) 934-2786 x204
www.opwfcs.com

