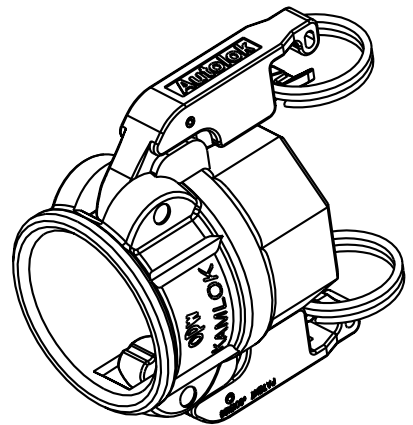
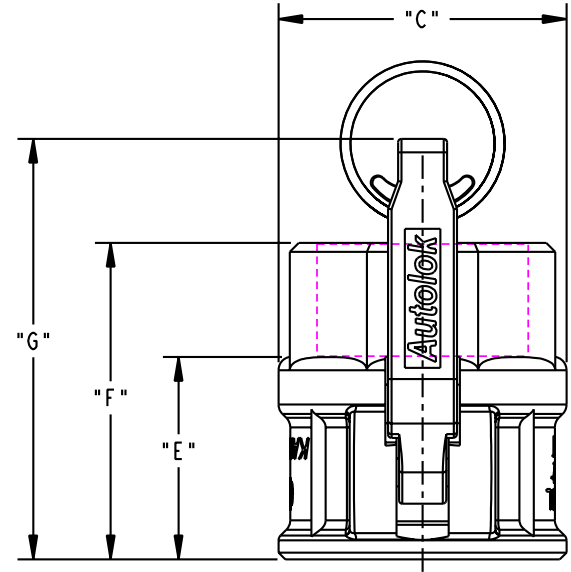
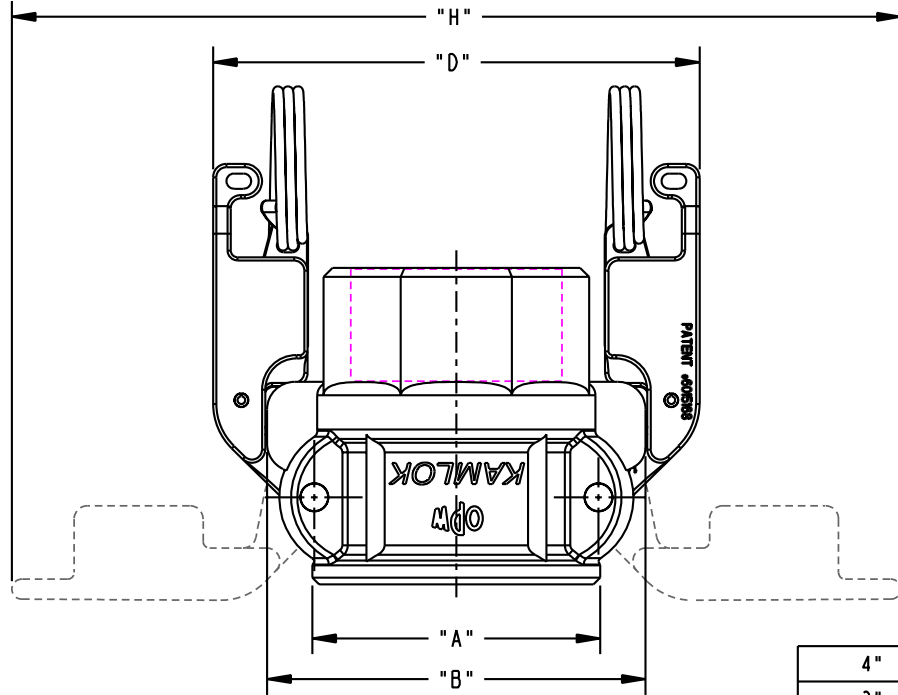


THIS DRAWING IS NOT TO BE SCALED. FOR ADDITIONAL INFORMATION, PLEASE CONTACT OUR ENGINEERING DEPT.

REVISIONS					
LTR	ECN #	DESCRIPTION	DRAWN	APPROVED	DATE
A	41367	UPDATED DIMS FOR REVISED ARMS	JPR	NAC	05-22-03



COUPLER SIZE	THREAD SIZE	"A"	"B"	"C"	"D"	"E"	"F"	"G"	"H"
4" 733DL	4.00-8 NPT	5.53	6.25	5.53	7.16	2.31	3.75	4.22	11.69
3" 733DL	3.00-8 NPT	4.31	5.14	4.25	6.06	2.28	3.56	4.22	10.56
2-1/2" 733DL	2.50-8 NPT	3.50	4.25	3.59	5.22	2.19	3.56	3.98	9.41
2" 733DL	2.00-11.5 NPT	3.09	3.78	2.97	4.75	2.06	3.16	3.91	8.94
1-1/2" 733DL	1.50-11.5 NPT	2.59	3.41	2.59	4.38	1.81	2.88	3.78	8.56
1-1/4" 733DL	1.25-11.5 NPT	2.28	3.12	2.28	4.09	1.88	2.88	3.78	8.25
1" 733DL	1.00-11.5 NPT	1.86	2.50	1.86	3.41	1.62	2.53	2.56	5.59
3/4" 733DL	0.75-14 NPT	1.62	2.31	1.62	3.22	1.25	2.12	2.34	5.28
1/2" 733DL	0.50-14 NPT	1.62	2.31	1.62	3.22	1.25	1.81	2.34	5.28

**CONFIDENTIAL** THIS DOCUMENT CONTAINS INFORMATION WHICH IS PROPRIETARY TO OPW, AND SHOULD BE PROTECTED ACCORDINGLY.

DESCRIPTION: **AUTOLOK COUPLER DIMENSIONS**

UNLESS OTHERWISE SPECIFIED TOLERANCES ON DIMENSIONS 3 DECIMALS +/- 0.005 2 DECIMALS +/- 0.015 1 DECIMAL +/- 0.030 ANGLES +/- 1/2 DEG MACHINED SURFACES 125 RMS MAX	SIGNATURES	MO-DA-YR	REV: A	PART NUMBER: <b>733DL</b>	<b>OPW Engineered Systems</b> A <b>DOVER</b> Resources Company Lebanon, Ohio 45036 USA
	DRAWN: JPR	09-05-01	SIZE: C	SCALE: NONE	
	CHECKED: NAC	09-12-01		SHEET 1 OF 1	3D GENERATED DRAWING
	MATERIAL: 316 SST	WEIGHT: -			