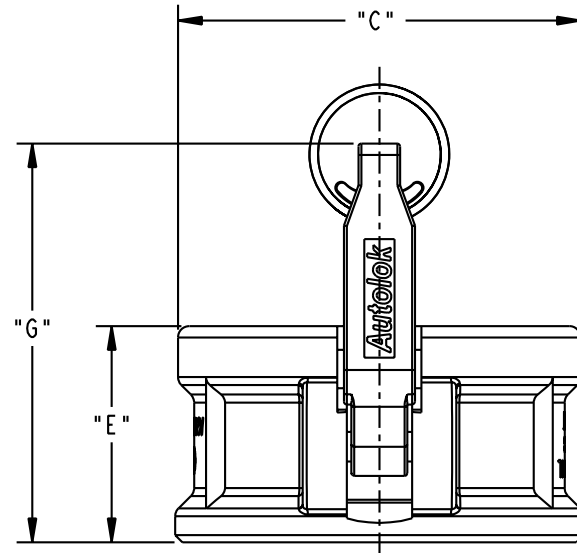
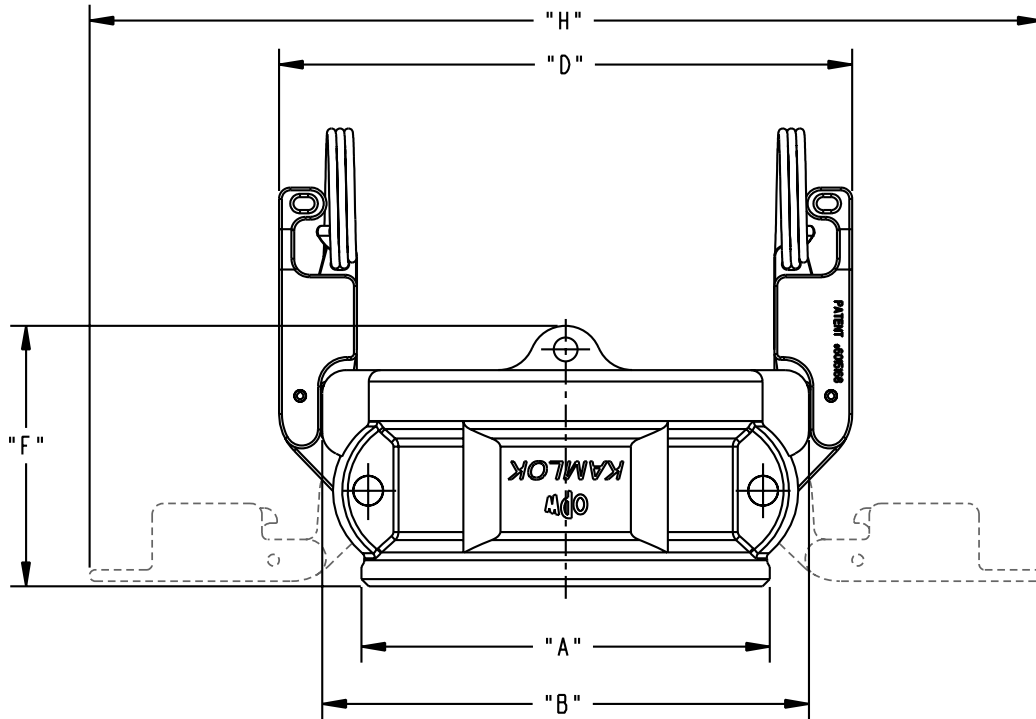


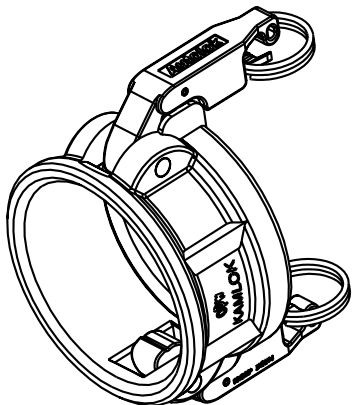
THIS DRAWING IS NOT TO BE SCALED. FOR ADDITIONAL INFORMATION. PLEASE CONTACT OUR ENGINEERING DEPT.

REVISIONS					
LTR	ECN #	DESCRIPTION	DRAWN	APPROVED	DATE
A	41367	UPDATED DIMS FOR REVISED ARMS	JPR	NAC	05-22-03



4" 733DCL	5.53	6.25	5.53	7.16	2.31	2.94	4.22	11.69
3" 733DCL	4.31	5.14	4.25	6.06	2.28	2.75	4.22	10.56
2-1/2" 733DCL	3.50	4.25	3.59	5.22	2.19	2.75	3.98	9.41
2" 733DCL	3.09	3.78	2.97	4.75	2.06	2.59	3.91	8.94
1-1/2" 733DCL	2.59	3.41	2.59	4.38	1.81	2.25	3.78	8.56
1-1/4" 733DCL	2.28	3.12	2.28	4.09	1.88	2.34	3.78	8.25
1" 733DCL	1.86	2.50	1.86	3.41	1.62	2.09	2.56	5.59
1/2" & 3/4" 733DCL	1.62	2.31	1.62	3.22	1.25	1.69	2.34	5.28
DUST CAP SIZE	"A"	"B"	"C"	"D"	"E"	"F"	"G"	"H"

MATERIAL OF CONSTRUCTION:  
THE AUTOLOK DUST CAP, ARMS AND LATCHES ARE 316 SST.  
ALL REMAINING COMPONENTS ARE 300 SERIES SST.



**CONFIDENTIAL** THIS DOCUMENT CONTAINS INFORMATION WHICH IS PROPRIETARY TO OPW, AND SHOULD BE PROTECTED ACCORDINGLY.

DESCRIPTION:

AUTOLOK DUST CAP DIMENSIONS

UNLESS OTHERWISE SPECIFIED  
TOLERANCES ON DIMENSIONS  
3 DECIMALS +/- 0.005  
2 DECIMALS +/- 0.015  
1 DECIMAL +/- 0.030  
ANGLES +/- 1/2 DEG  
MACHINED SURFACES 125 RMS MAX

SIGNATURES  
DRAWN: JPR  
CHECKED: NAC  
MATERIAL: 316 SST

MO-DA-YR  
07-03-01  
07-10-01  
WEIGHT: -

REV: A  
SIZE: C

PART NUMBER:  
**733DCL**  
SCALE: NONE

OPW *Engineered Systems*  
A DOVER Resources Company  
Lebanon, Ohio 45036 USA

SHEET 1 OF 1  
3D GENERATED DRAWING