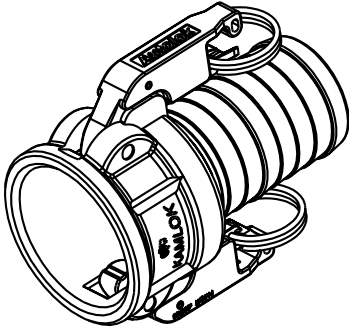
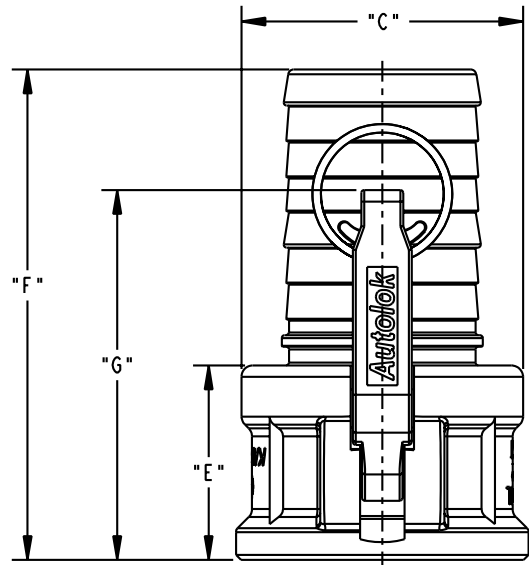
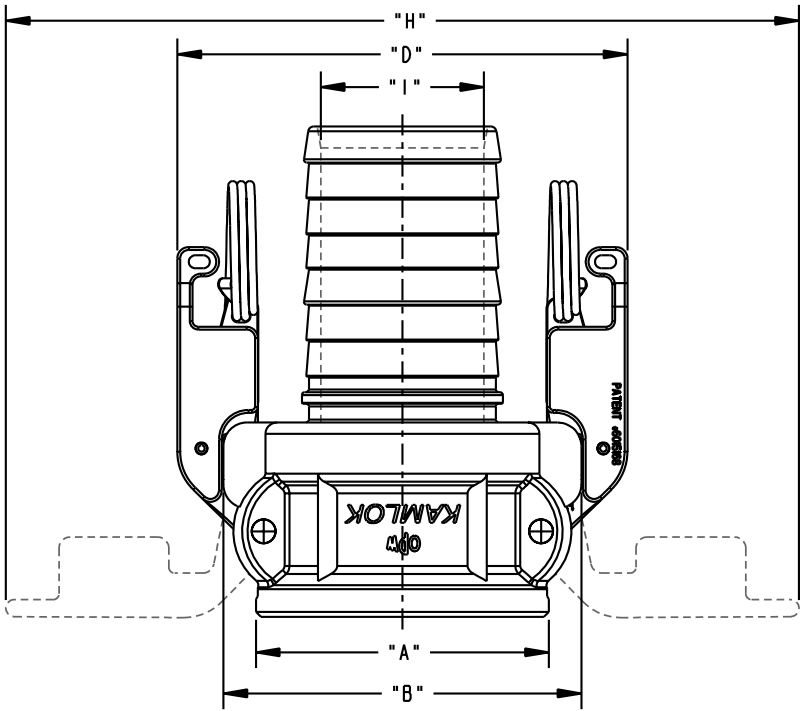


THIS DRAWING IS NOT TO BE SCALED. FOR ADDITIONAL INFORMATION, PLEASE CONTACT OUR ENGINEERING DEPT.

| REVISIONS | | | | | |
|-----------|-------|--------------------------------|-------|----------|----------|
| LTR | ECN # | DESCRIPTION | DRAWN | APPROVED | DATE |
| A | 41367 | UPDATED DIMS. FOR REVISED ARMS | JPR | NAC | 05-22-03 |



| | | | | | | | | | |
|--------------|------|------|------|------|------|------|------|-------|------|
| 4" 733CL | 5.53 | 6.25 | 5.53 | 7.16 | 2.31 | 6.56 | 4.22 | 11.69 | 3.53 |
| 3" 733CL | 4.31 | 5.14 | 4.25 | 6.06 | 2.28 | 6.31 | 4.22 | 10.56 | 2.69 |
| 2-1/2" 733CL | 3.50 | 4.25 | 3.59 | 5.22 | 2.19 | 5.44 | 3.98 | 9.41 | 2.19 |
| 2" 733CL | 3.09 | 3.78 | 2.97 | 4.75 | 2.06 | 5.19 | 3.91 | 8.94 | 1.72 |
| 1-1/2" 733CL | 2.59 | 3.41 | 2.59 | 4.38 | 1.81 | 4.22 | 3.78 | 8.56 | 1.25 |
| 1-1/4" 733CL | 2.28 | 3.12 | 2.28 | 4.09 | 1.88 | 4.12 | 3.78 | 8.25 | 1.00 |
| 1" 733CL | 1.86 | 2.50 | 1.86 | 3.41 | 1.62 | 3.88 | 2.56 | 5.59 | 0.78 |
| 3/4" 733CL | 1.62 | 2.31 | 1.62 | 3.22 | 1.25 | 3.25 | 2.34 | 5.28 | 0.56 |
| COUPLER SIZE | "A" | "B" | "C" | "D" | "E" | "F" | "G" | "H" | "I" |

CONFIDENTIAL THIS DOCUMENT CONTAINS INFORMATION WHICH IS PROPRIETARY TO OPW, AND SHOULD BE PROTECTED ACCORDINGLY.

UNLESS OTHERWISE SPECIFIED
 TOLERANCES ON DIMENSIONS
 3 DECIMALS +/- 0.005
 2 DECIMALS +/- 0.015
 1 DECIMAL +/- 0.030
 ANGLES +/- 1/2 DEG
 MACHINED SURFACES 125 RMS MAX

| | | | |
|------------|---------|----------|-------|
| SIGNATURES | | MO-DA-YR | REV: |
| DRAWN: | JPR | 08-28-01 | A |
| CHECKED: | NAC | 08-29-01 | SIZE: |
| MATERIAL: | 316 SST | WEIGHT: | C |

DESCRIPTION: **AUTOLOK COUPLER DIMENSIONS**

PART NUMBER: **733CL**

SCALE: NONE SHEET 1 OF 1 3D GENERATED DRAWING

OPW Engineered Systems
 A DOVER Resources Company
 Lebanon, Ohio 45036 USA

A B C D