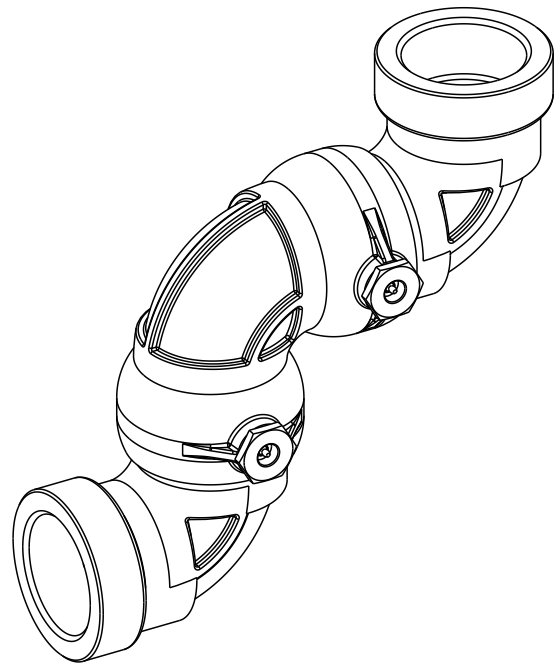
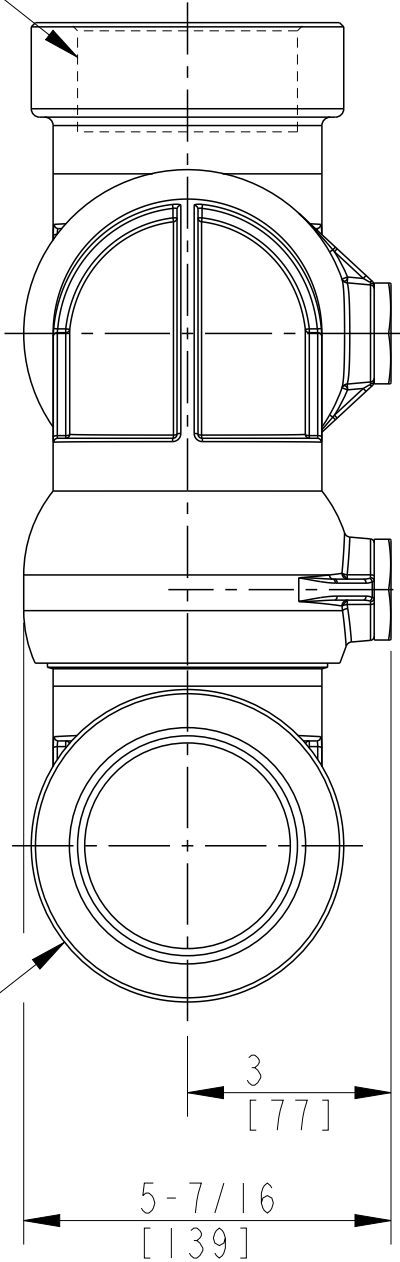


THIS DRAWING IS NOT TO BE SCALED. FOR ADDITIONAL INFORMATION, PLEASE CONTACT OUR ENGINEERING DEPT.

REVISIONS					
LTR	ECN #	DESCRIPTION	DRAWN	APPROVED	DATE



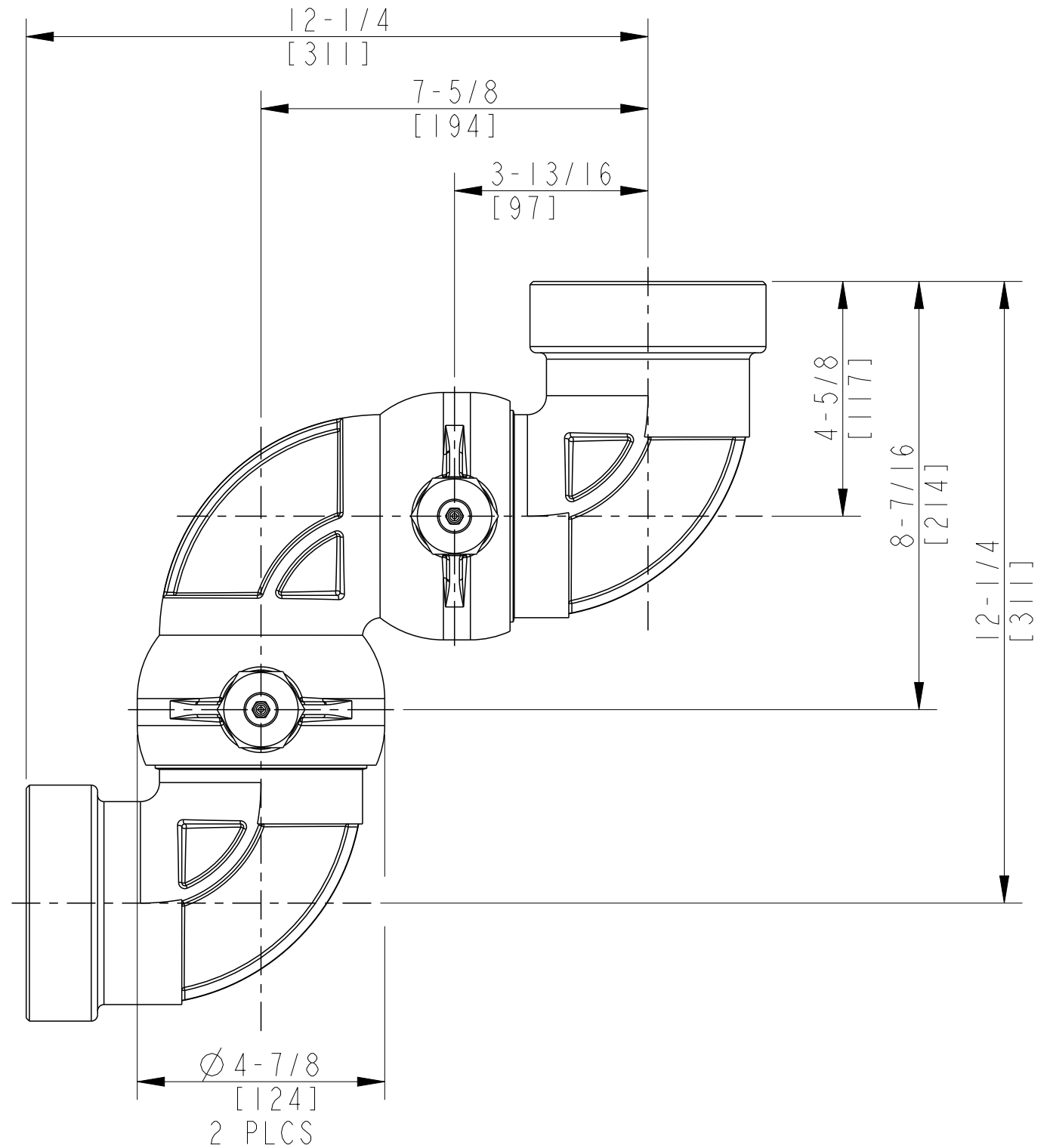
3" - 8 FNPT
BOTH ENDS



Ø 4-5/8
[118]
2 PLCS

3
[77]

5-7/16
[139]



12-1/4
[311]

7-5/8
[194]

3-13/16
[97]

4-5/8
[117]

8-7/16
[214]

12-1/4
[311]

Ø 4-7/8
[124]
2 PLCS

CONFIDENTIAL THIS DOCUMENT CONTAINS INFORMATION WHICH IS PROPRIETARY TO OPW, AND SHOULD BE PROTECTED ACCORDINGLY.		DESCRIPTION: 3" SWIVEL, ALU, STYLE 70	
SIGNATURES		DD-MMM-YYYY	PART NUMBER:
CREATED BY:	AKHIL	26-FEB-2018	3670-030X
APPRVD BY:	-	-	DRAWING NR: 3670-030X
STATUS:			PROJECT: NA.
SIZE: B	REVISION	WEIGHT: 12.95 lb	BASED ON: .0
ECO:	NA.	SCALE: 0.35	SHEET 1 OF 1
		MATERIAL: ALUMINUM	
		3D GENERATED DRAWING	

