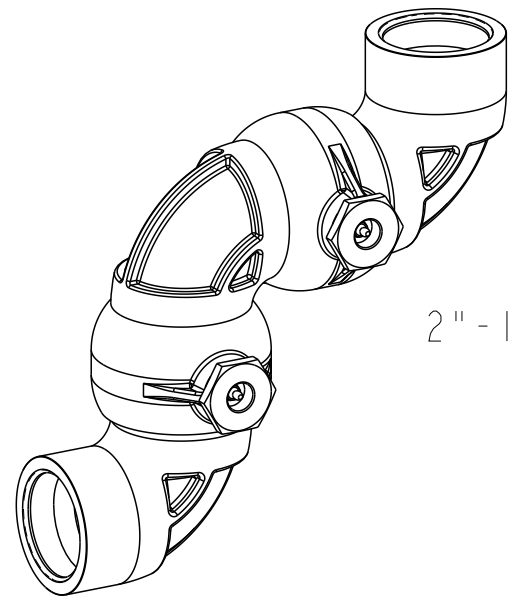
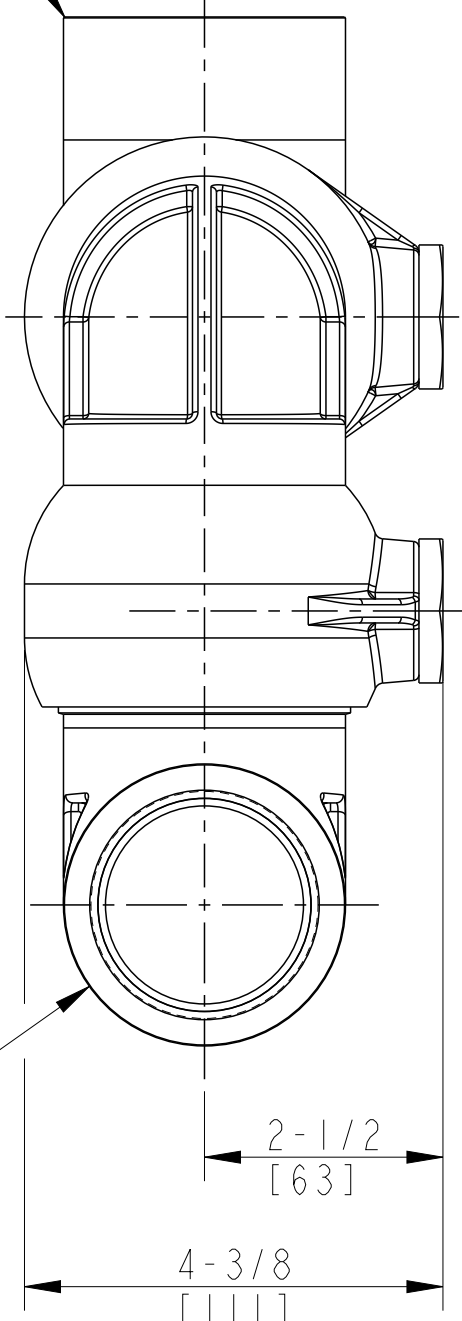


THIS DRAWING IS NOT TO BE SCALED. FOR ADDITIONAL INFORMATION, PLEASE CONTACT OUR ENGINEERING DEPT.

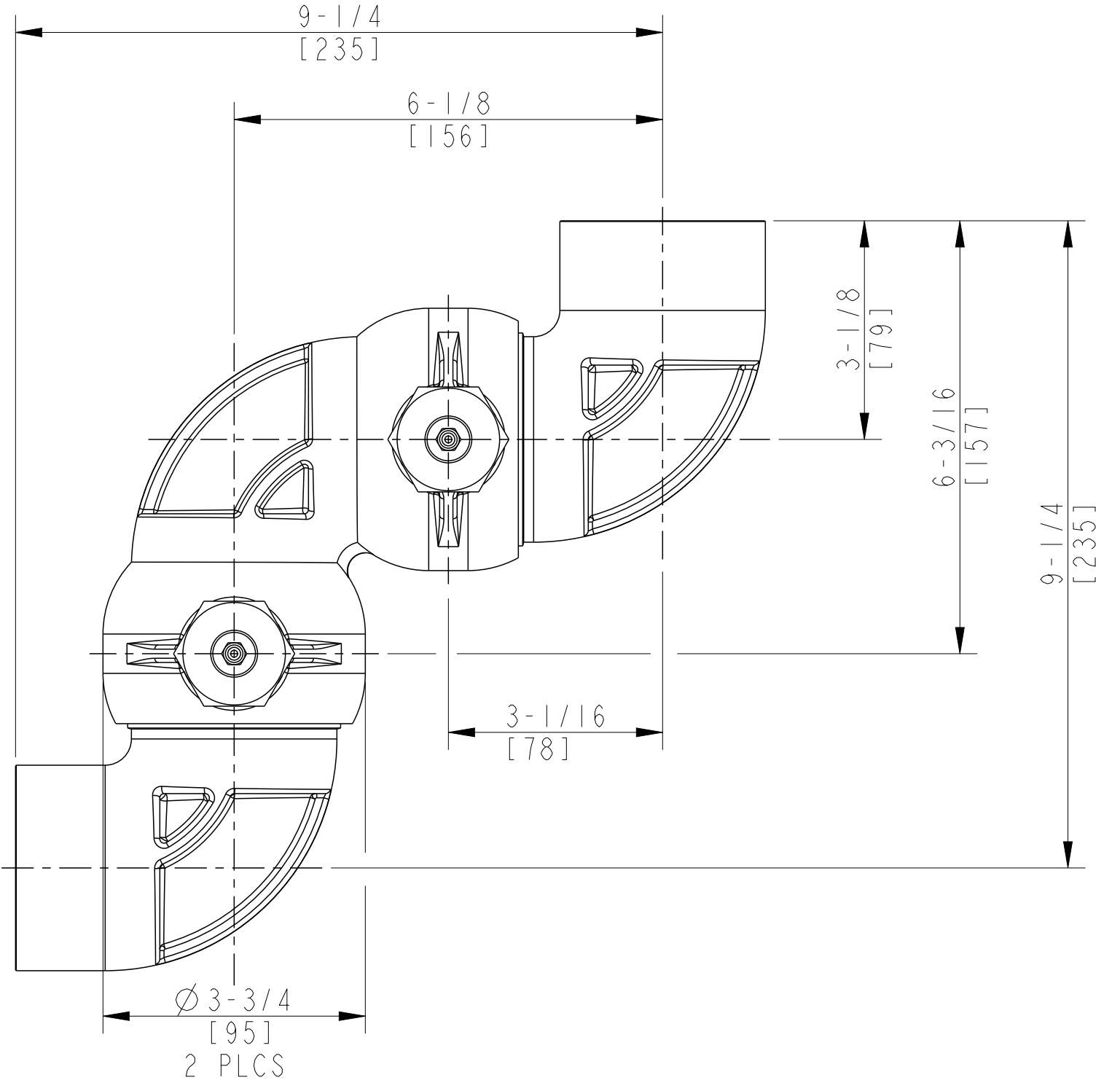
REVISIONS					
LTR	ECN #	DESCRIPTION	DRAWN	APPROVED	DATE



2" - 11-1/2 FNPT
BOTH ENDS



Ø 2-15/16
[75]
2 PLCS



CONFIDENTIAL THIS DOCUMENT CONTAINS INFORMATION WHICH IS PROPRIETARY TO OPW, AND SHOULD BE PROTECTED ACCORDINGLY.		DESCRIPTION: 2" SWIVEL, ALU, STYLE 70		
SIGNATURES		DD-MMM-YYYY	PART NUMBER: 3670-020X	
CREATED BY:	AKHIL	26-FEB-2018	DRAWING NR: 3670-020X	
APPRVD BY:	-	-	PROJECT: NA.	
STATUS:		WEIGHT:	MATERIAL: ALUMINUM	
SIZE: B	REVISION	6.57 lb	BASED ON: .0	
ECO:	NA.	SCALE: 0.50	SHEET 1 OF 1	
3D GENERATED DRAWING				

