



TYPE 4 FLOWMETERS

1^{1/4}" and 1^{1/2}"



**1^{1/2}" Type 4 w/832 Register
Right Hand Assembly (std.)**

DESCRIPTION

Red Seal 1^{1/4}" and 1^{1/2}" Type 4 compact flowmeters are superb instruments for small and medium capacity tank truck metering. These flowmeters are completely self-contained and come with strainer, air release valve and back pressure valve. Because they are compact, they save valuable payload space and weight.

FLOW RATE

1^{1/4}" Flowmeter: (22 to 113 lpm) Measurement Canada
5 to 30 gpm (19 to 114 lpm) NCWM
1^{1/2}" Flowmeter: 12 to 60 gpm (45 to 227 lpm)
Measurement Canada and NCWM

TEMPERATURE

140° F (60°C) maximum.

OPERATING PRESSURE

125 psi (9 bar) maximum.

UNITS OF MEASURE

Calibration is in U.S. gallons, but Imperial gallons and liters can be provided on order where mechanism permits.

DIRECTION OF FLOW

1^{1/4}" Flowmeter: Flanged. Flowmeter furnished with companion flanges tapped for 1^{1/2}" standard pipe. 1^{1/2}" Flowmeter: Flowmeter furnished with companion inlet

flange tapped for 1^{1/2}" standard pipe. Auto-Stop Model valve outlet tapped for 2" standard pipe; Non-Auto-Stop Models furnished with companion outlet flange tapped for 1^{1/2}" standard pipe.

RESET SETTING CAPACITY

9,999.9 gallons on Direct Reading Registers.

PRESET SETTING CAPACITY

9,999.9 gallons on models 832 (842) and 834 (844).

PRINTING WHEEL CAPACITY

9,999.9 gallons on Models 833 (843) and 834 (844).

TOTALIZER CAPACITY

99,999,999 gallons.

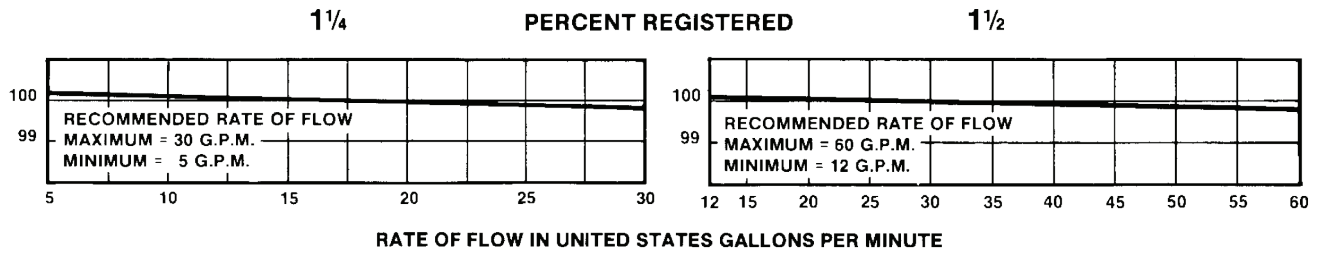
MATERIALS

Housing -- Aluminum
Measuring Chamber -- Bronze
Piston -- Aluminum
Dynamic Seals -- Fluorocarbon
Static Seals -- Nitrile

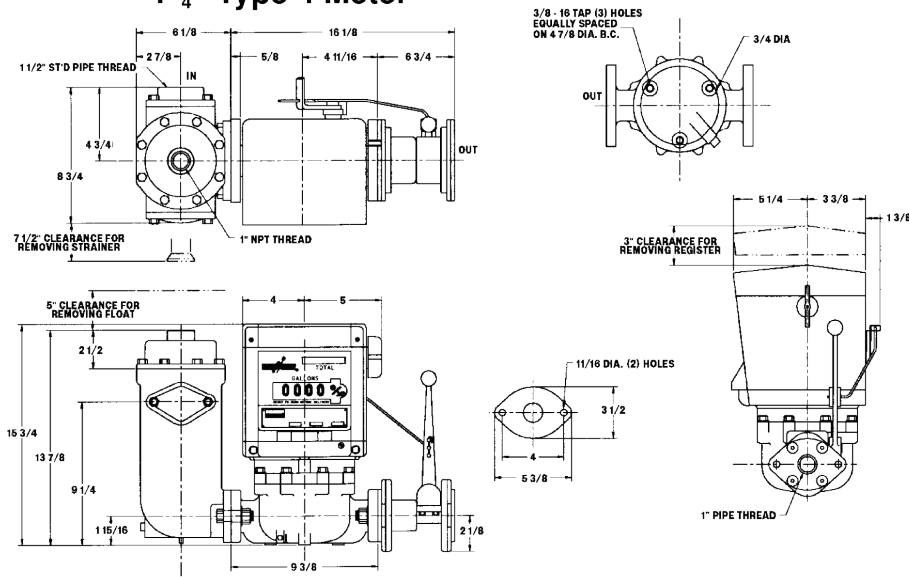
ACCESSORIES

None required. Strainer, air release and back pressure valve are assembled with the flowmeter.

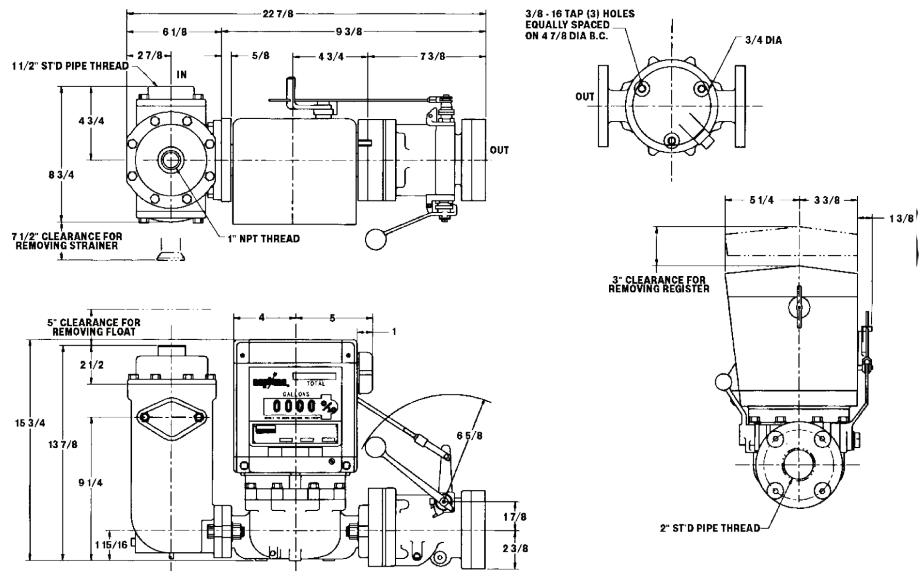
ACCURACY CURVE



1 1/4" Type 4 Meter



1 1/2" Type 4 Meter



1310 Emerald Road
 Greenwood, SC 29646
 USA
 Phone: 1.800.833.3357
 Fax: 1.864.223.0341

