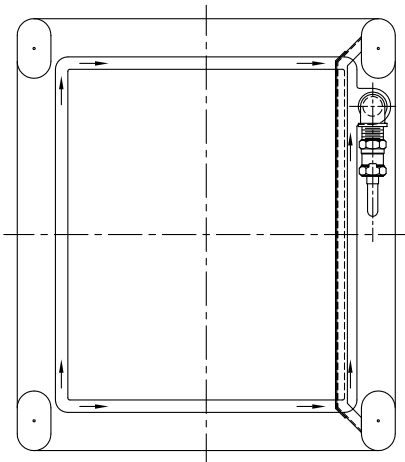
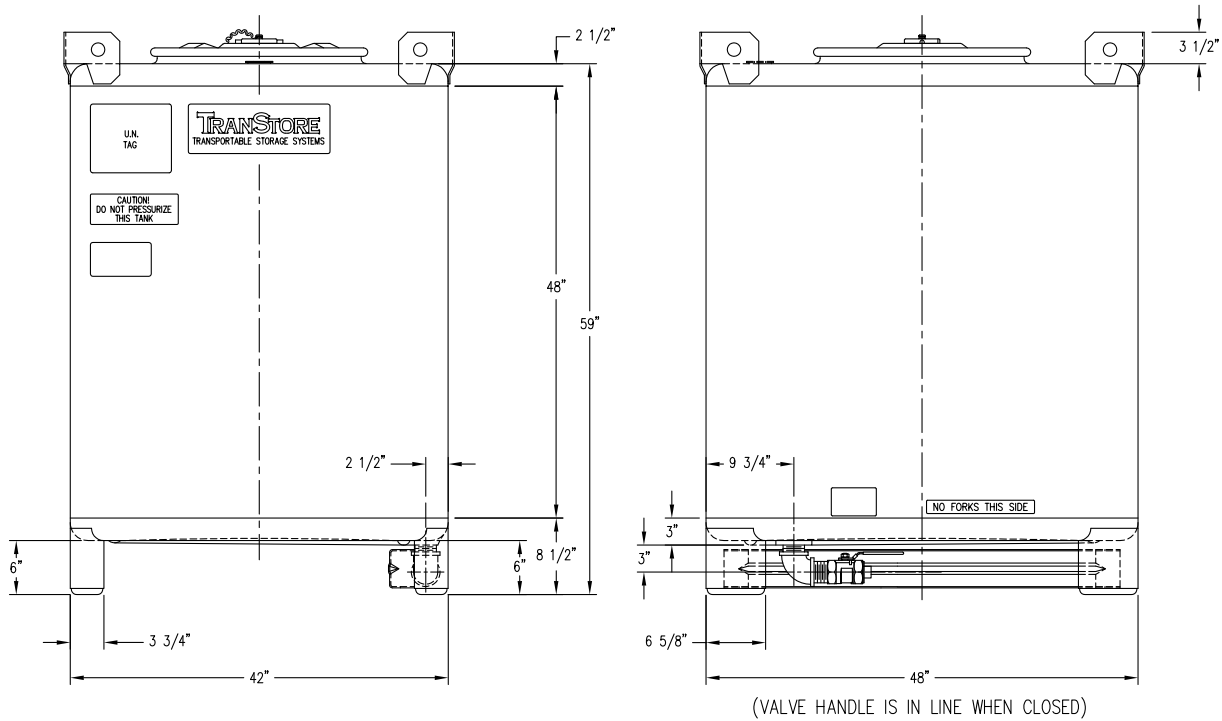


DETAIL ITEM #7
SCALE: NONE

DRUM NECK SECTION
SCALE: NONE

NOTE: IF APPLICABLE, PER TITLE 49CFR, BOTH THE 22 1/2" CLOSURE CLAMP RING, BOLT, NUT AND THE 2" BUNG PLUG MUST BE TIGHTENED TO A TORQUE OF 30 Ft.-lbs. TO SATISFY THE PERFORMANCE REQUIREMENTS.



NOTE: BOTTOM SUMP SLOPES
1/2" TOWARDS OPENING

NOTES:

1. REMOVE ALL BURRS AND SHARP EDGES.
2. TANK FABRICATED W/2" RADIUS CORNERS AND HIGH CONTOUR LEGS.
3. MATERIAL OF CONSTRUCTION IS 304 S.S. AND NOTED.
4. INSIDE OF TANK TO BE WIPED CLEAN AT FINAL ASS'Y.
5. WARRANTY TAG TO BE WIRED TO CLAMP RING AT FINAL ASS'Y.



A John M. Ellsworth Company

John M. Ellsworth Co., Inc.

P.O. Box 240072
8700 West Bradley Road
Milwaukee, WI 53224

800-333-3331 **PHONE**
800-563-8848 **FAX**

info@jmesales.com **E-MAIL**
www.JMEsales.com **WEB**