

# MAXIMATOR® US

MAXPRO Technologies

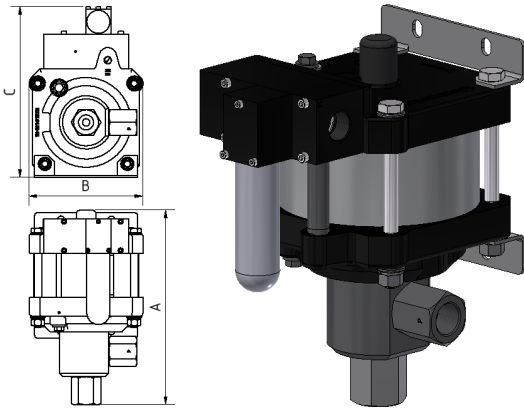
## Technical Data Sheet

**L35**

» Oil service

**L35 VE**

» Water service



L35  
single acting, single air drive head  
(Standard= Bottom inlet)

### Technical Data:

Air drive pressure:	1 - 10 bar / 14.5 - 145 psi
Calculated working pressure	400 bar/ 5800 psi
Pressure ratio:	1:40
Displacement volume/double stroke:	24.5 cm <sup>3</sup> / 1.49 cu.inch

### Connections:

Inlet:	Standard: Bottom Inlet 1/2" NPT
Outlet:	1/2" NPT
Air drive:	1/2" NPT
Maximum operating temperature:	60°C / 140°F
Net weight:	14.5 kg / 32 lbs

Pressure and flow performances, please see enclosed graph.

### Wetted materials of construction:

Seal package:	L35: Polyurethane, NBR L35VE: UHMWPE, FKM
Pump Body:	1.4404
Piston:	1.4542
Fittings:	L35: 1.4305 L35 VE: 1.4404

### Approximate Dimensions:

A:	309.5 mm / 12.19 in
B:	181 mm / 7.12 in
C:	272 mm / 10.71 in

### Available Options:

Seal material for oil service:	L35
Seal material for water service:	L35 VE
Side inlet:	<b>L35 S / L35 VES</b>

Special seal material to handle special fluids on request.

### Available Accessories:

Air control units with filter pressure regulator, control pressure gauge and shut off valve:	L35
To protect the pump against excessive outlet pressures or to limit the outlet pressure, a safety valve can be fitted to the air control unit in the air drive line.	L35 with ACP-RV (The required outlet pressure has to be indicated.)

Please consult factory for more information. All technical and dimensional information subject to change. All General Terms and Conditions of sale, including limitations of our liability, apply to all products and services sold.

## Leistungsdiagramm/Performance Graph G(SF) 35

Prüfflüssigkeit/Lest Liquid: Wasser-Öl-Emulsion/Water Oil Emulsion ca. 1 - 10 cst

