

MAXIMATOR® US

MAXPRO Technologies

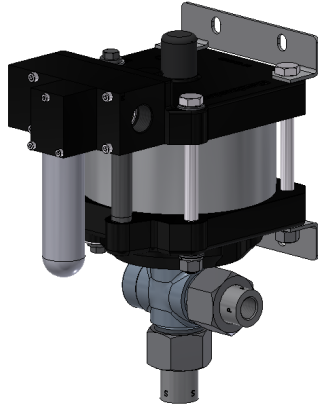
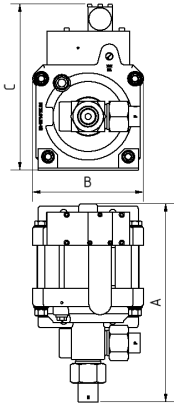
Technical Data Sheet

L100

» Oil service

L100 VE

» Water service



L100
single acting, single air drive head
(Standard= Bottom inlet)

Technical Data:

Air drive pressure:	1 - 10 bar / 14.5 - 145 psi
Calculated working pressure:	1050 bar / 15225 psi
Pressure ratio:	1:113
Displacement volume/double stroke:	8.8 cm ³ / 0.54 cu.inch

Connections:

Inlet:	Standard: Bottom Inlet 1/2" NPT
Outlet:	1/2" NPT
Air drive:	1/2" NPT
Maximum operating temperature:	60°C / 140°F
Net weight:	13.5 kg / 30 lbs

Pressure and flow performances, please see enclosed graph.

Wetted materials of construction:

Seal package:	L100: Polyurethane, NBR L100 VE: UHMWPE, FKM
---------------	---

Pump Body: 1.4313

Piston: 1.4548.4

Fittings: 1.4542

Approximate Dimensions:

A: 325 mm / 12.8 in

B: 181 mm / 7.12 in

C: 272 mm / 10.71 in

Available Options:

Seal material for oil service:	L100
Seal material for water service:	L100 VE
Side inlet:	L100 S/ L100 VES

Special seal material to handle special fluids on request.

Available Accessories:

Air control units with filter pressure regulator, control pressure gauge and shut off valve: L100 with ACP

To protect the pump against excessive outlet pressures or to limit the outlet pressure, a safety valve can be fitted to the air control unit in the air drive line. L100 with ACP-RV (The required outlet pressure has to be indicated.)

Please consult factory for more information. All technical and dimensional information subject to change. All General Terms and Conditions of sale, including limitations of our liability, apply to all products and services sold.

Leistungsdiagramm/Performance Graph G(SF) 100

Prüfflüssigkeit/Test Liquid: Wasser-Öl-Emulsion/Water Oil Emulsion ca. 1 - 10 cst

