

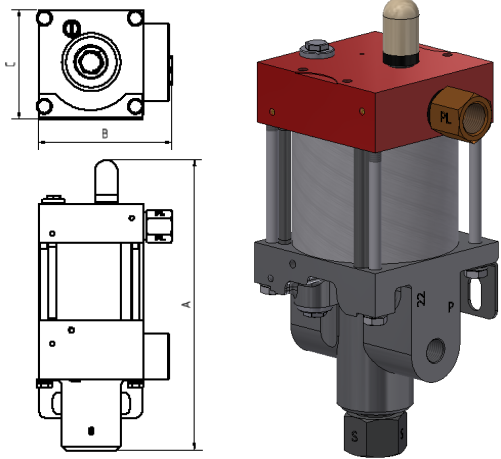
# MAXIMATOR® US

MAXPRO Technologies

## Technical Data Sheet

PPO22

» Oil service



PPO22  
(Standard= Bottom inlet)

### Technical Data:

Air drive pressure:	1-10 bar / 14.5 - 145 psi
Calculated working pressure:	290 bar / 4205 psi
Pressure ratio:	1:29
Displacement volume/double stroke:	4.6 cm <sup>3</sup> / 0.28 cu.inch

### Connections:

Inlet:	Standard: Bottom Inlet 3/8" NPT
Outlet:	1/4" NPT
Air drive:	1/4" NPT
Maximum operating temperature:	80°C / 174°F
Net weight:	3.0 kg / 7 lbs

Pressure and flow performances, please see enclosed graph.

### Wetted materials of construction:

Top cap:	3.1645
Air cylinder:	3.3206
Seal package:	Polyurethane, NBR
Pump Body:	0.7050
Piston:	1.4112

### Approximate Dimensions:

A:	227.5 mm / 8.96 in
B:	103 mm / 4 in
C:	85 mm / 3.31 in

### Available Options:

Side inlet:	PPO22S
External pilot port modification:	PPO22-DIR

Special seal material to handle special fluids on request.

### Available Accessories:

Air control units with filter pressure regulator, control pressure gauge and shut off valve:	PPO22 with ACM
To protect the pump against excessive outlet pressures or to limit the outlet pressure, a safety valve can be fitted to the air control unit in the air drive line.	PPO22 with ACM-RV-air (The required outlet pressure has to be indicated.)

Please consult factory for more information. All technical and dimensional information subject to change. All General Terms and Conditions of sale, including limitations of our liability, apply to all products and services sold.

## Leistungsdiagramm/Performance Graph M(O)(SF) 22

Prüfflüssigkeit/Test Liquid: Wasser-Öl-Emulsion/Water Oil Emulsion ca. 1 - 10 cst

