

# MAXIMATOR® US

MAXPRO Technologies

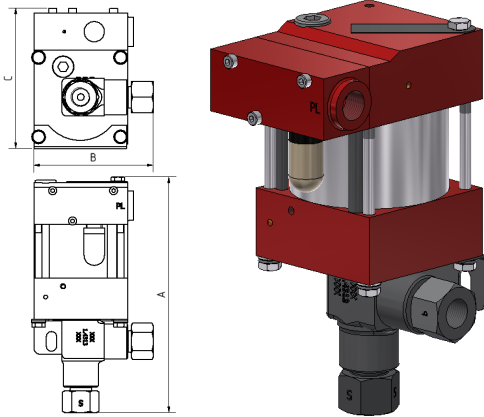
## Technical Data Sheet

PP22

» Oil service

P22 VE

» Water service



PP22)  
single acting, single air drive head

### Technical Data:

Air drive pressure:	1 - 10 bar / 14.5 - 145 psi
Calculated working pressure:	280 bar / 4060 psi
Pressure ratio:	1:28
Displacement volume/double stroke:	4.6 cm <sup>3</sup> / 0.28 cu.inch

### Connections:

Inlet:	Standard: Bottom Inlet 3/8" NPT
Outlet:	1/4" NPT
Air drive:	1/4" NPT
Maximum operating temperature:	60°C / 140°F
Net weight:	2.8 kg / 6 lbs

Pressure and flow performances, please see enclosed graph.

### Wetted materials of construction:

Seal package:	PP22(L): Polyurethane PP22 VE: UHMWPE, FKM
Pump Body:	1.4313
Piston:	1.4112
Fittings:	1.4104

### Approximate Dimensions:

A:	227 mm / 8.96 in
B:	105 mm / 4.13 in
C:	120 mm / 4.72 in

### Available Options:

Seal material for oil service:	PP22
Seal material for water service:	PP22 VE
Side inlet:	PP22 S / PP22 VES
Hand lever/ Spring return:	PP22-HL (only available with seal package Polyurethane, NBR)
External pilot port modification:	PP22-DIR

Special seal material to handle special fluids on request.

### Available Accessories:

Air control units for M series with filter pressure regulator, control pressure gauge and shut off valve:	PP22 with ACM
To protect the pump against excessive outlet pressures or to limit the outlet pressure, a safety valve can be fitted to the air control unit in the air drive line.	PP22 with ACM-RV (The required outlet pressure has to be indicated.)

Please consult factory for more information. All technical and dimensional information subject to change. All General Terms and Conditions of sale, including limitations of our liability, apply to all products and services sold.

## Leistungsdiagramm/Performance Graph M(O)(SF) 22

Prüfflüssigkeit/Test Liquid: Wasser-Öl-Emulsion/Water Oil Emulsion ca. 1 - 10 cst

