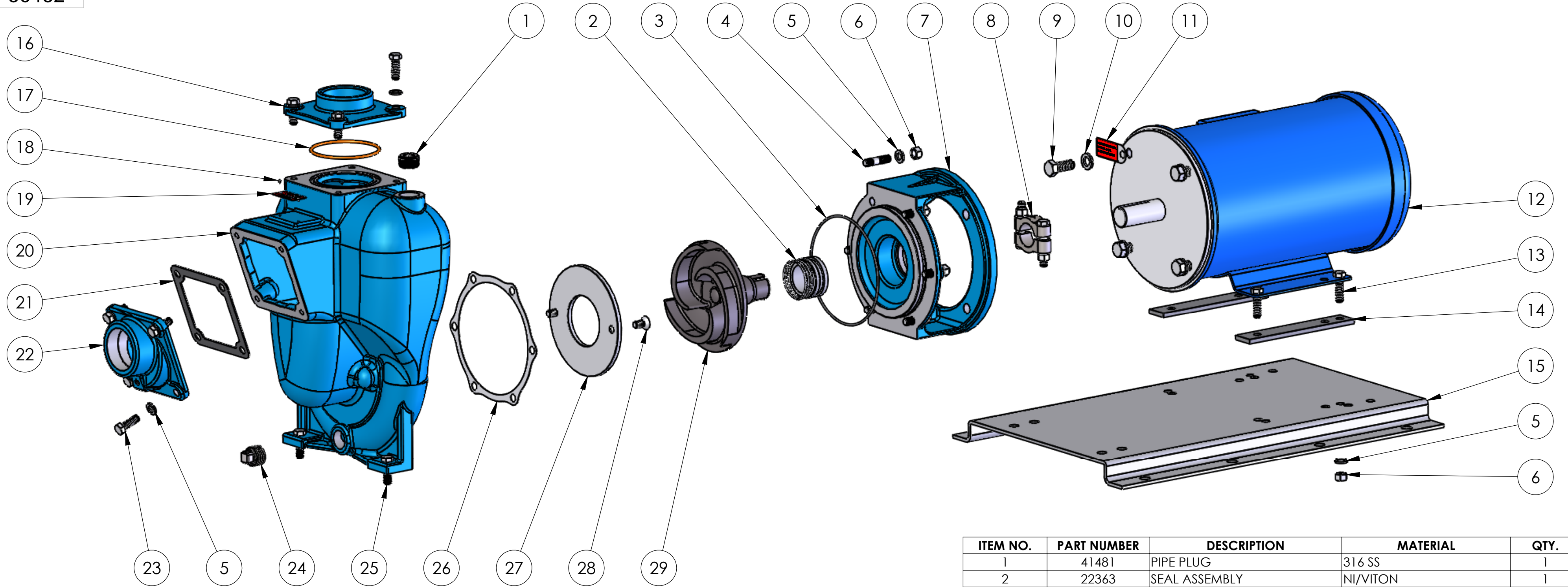


NOTE: THIS DRAWING OR PRINT, PROPERTY OF MP PUMPS INC., CONTAINS PROPRIETARY AND CONFIDENTIAL INFORMATION. IT SHALL BE USED ONLY AS APPROVED BY MP PUMPS AND SHALL NOT BE GIVEN TO OTHERS OR COPIED WITHOUT THE WRITTEN CONSENT OF MP PUMPS. RETURN TO MP PUMPS PROMPTLY WHEN REQUESTED.

G					UNLESS OTHERWISE NOTED THIRD ANGLE PROJECTION 2 PLACE DIM ± .020 3 PLACE DIM ± .010 ANGULAR DIM ± 1°	MP PUMPS, INC. FRASER, MICHIGAN 48026, U.S.A.					
F											
E						MATERIAL	MATERIAL SPECS				
D						DRAWN BY	DATE COMP.	APPROV.	SCALE	MADE FOR	MADE FROM
C						S.F.	12/4/17	D.D.			
B						DO NOT SCALE					
A					NAME	DRAWING NO					
REV	DESCRIPTION	DRAWN	DATE	EN	PO10PMP C:5-3 184TC 5.75 WBA				36432		



ITEM NO.	PART NUMBER	DESCRIPTION	MATERIAL	QTY.
1	41481	PIPE PLUG	316 SS	1
2	22363	SEAL ASSEMBLY	NI/VITON	1
3	29715	O RING AS 568-162	VITON	1
4	21261	STUD 3/8-16X1.63	304 SS	6
5	21266	LOCKWASHER 3/8 X 1/8	304 SS	22
6	21268	HEXNUT 3/8-16	304 SS	14
7	22433	ADAPTOR	CAST IRON	1
8	23039	CLAMP ASSEMBLY	303 SS	1
9	21246	CAPSCREW 1/2-13X1.25	304 SS	4
10	21254	LOCKWASHER 1/2"	304 SS	4
11	35682	NAME PLATE	304 SS	1
12	22414	ELECTRIC MOTOR	TEFC	1
13	21259	CAPSCREW 3/8-16	304 SS	4
14	24710	BLOCK SPACER	STEEL	2
15	22423	BASE	ZPS	1
16	22372	DISCHARGE FLANGE 2" NPT	CAST IRON	1
17	37138	O-RING	VITON	1
18	21122	DRIVE SCREW	304 SS	2
19	21183	NAME PLATE	ALUMINUM	1
20	22351	HOUSING	CAST IRON	1
21	35630	GASKET	BUNA	1
22	22369	SUCTION FLANGE	CAST IRON	1
23	21291	CAPSCREW 3/8-16X1.13	304 SS	8
24	35650	PIPE PLUG	316 SS	1
25	21274	CAPSCREW 3/8-16X1.25	304 SS	2
26	35721	GASKET	KLINGERSIL	1
27	22244	WEAR PLATE	STEEL	1
28	37115	SCREW FHS 3/8-16X3/4	304 SS	2
29	22499	IMPELLER	DUCTILE IRON	1

NOTE: THIS DRAWING OR PRINT, PROPERTY OF MP PUMPS INC., CONTAINS PROPRIETARY AND CONFIDENTIAL INFORMATION. IT SHALL BE USED ONLY AS APPROVED BY MP PUMPS AND SHALL NOT BE GIVEN TO OTHERS OR COPIED WITHOUT THE WRITTEN CONSENT OF MP PUMPS. RETURN TO MP PUMPS PROMPTLY WHEN REQUESTED.

G							UNLESS OTHERWISE NOTED THIRD ANGLE PROJECTION 2 PLACE DIM ± .020 3 PLACE DIM ± .010 ANGULAR DIM ± 1°	MP PUMPS, INC. FRASER, MICHIGAN 48026, U.S.A.						
F						MATERIAL						MATERIAL SPECS		
E								DO NOT SCALE	DRAWN BY	DATE COMP.	APPROV.	SCALE	MADE FOR	MADE FROM
D									S.F.	12/4/17	D.D.			
C							NAME	DRAWING NO						
B							PO10PMP C:5-3 184TC 5.75 WBA	36432						
A							REV	DESCRIPTION	DRAWN	DATE	EN			