

NOTE: THIS DRAWING OR PRINT, PROPERTY OF MP PUMPS INC., CONTAINS PROPRIETARY AND CONFIDENTIAL INFORMATION. IT SHALL BE USED ONLY AS APPROVED BY MP PUMPS AND SHALL NOT BE GIVEN TO OTHERS OR COPIED WITHOUT THE WRITTEN CONSENT OF MP PUMPS. RETURN TO MP PUMPS PROMPTLY WHEN REQUESTED.

COMPATIBLE FOR DIESEL, BIO-DIESEL AND FUEL OIL

G					
F					
E					
D					
C					
B					
A	DWG UPDATED	ECN 1130344	SF	11/11/19	SF
REV	DESCRIPTION		DRAWN	DATE	EN

UNLESS OTHERWISE NOTED
THIRD ANGLE PROJECTION

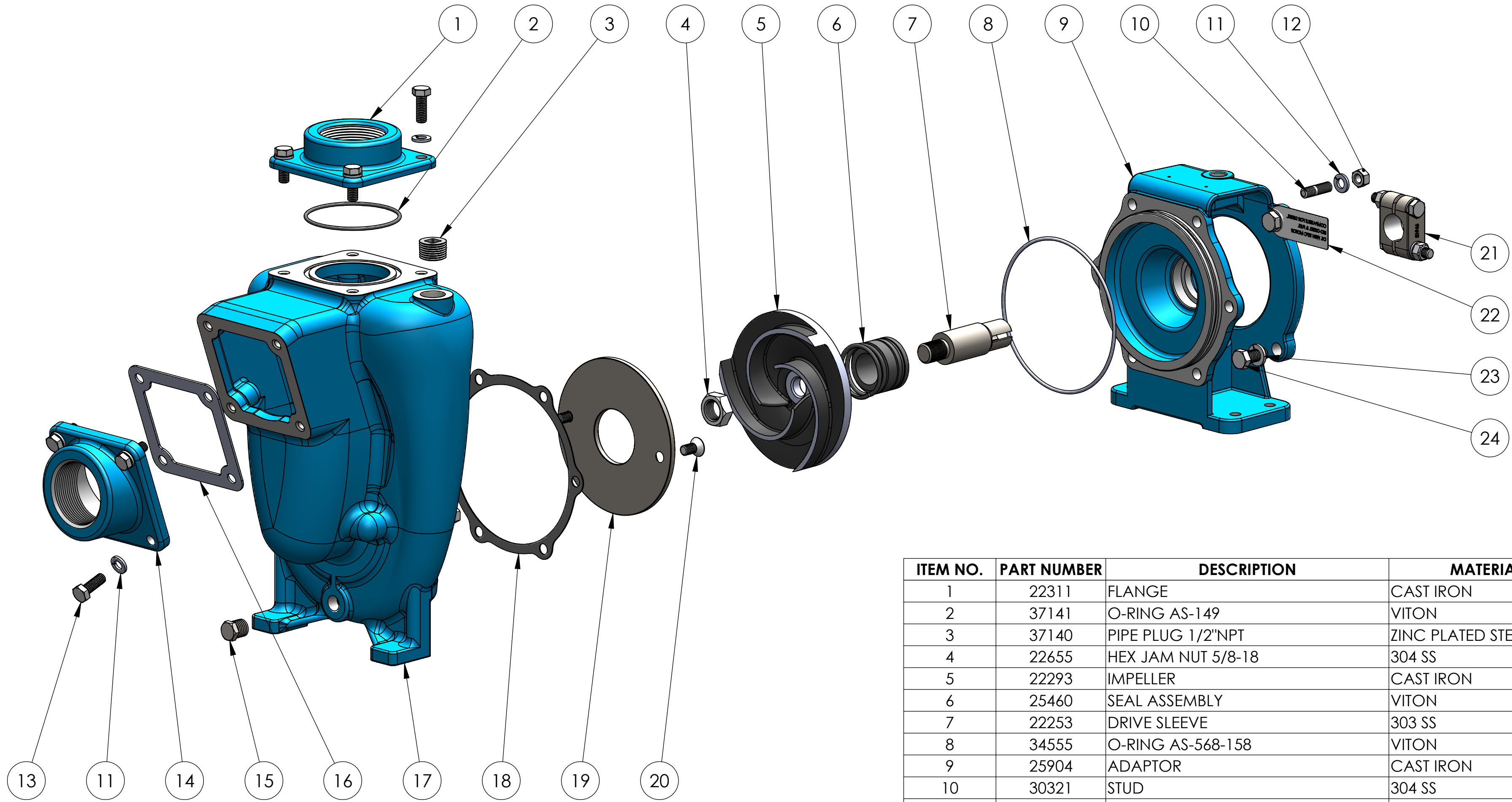
2 PLACE DIM \pm .020
3 PLACE DIM \pm .010
ANGULAR DIM \pm 1°

DO NOT SCALE

NAME
PO8PPK C:CCMTR 5/8 5.0 T-21 NRS

MP PUMPS, INC.
FRASER, MICHIGAN 48026, U.S.A.

MATERIAL		MATERIAL SPECS			
DRAWN BY	DATE COMP.	APPROV.	SCALE	MADE FOR	MADE FROM
SF	11/11/19	SF			
DRAWING NO					36296



ITEM NO.	PART NUMBER	DESCRIPTION	MATERIAL	QTY.
1	22311	FLANGE	CAST IRON	1
2	37141	O-RING AS-149	VITON	1
3	37140	PIPE PLUG 1/2"NPT	ZINC PLATED STEEL	1
4	22655	HEX JAM NUT 5/8-18	304 SS	1
5	22293	IMPELLER	CAST IRON	1
6	25460	SEAL ASSEMBLY	VITON	1
7	22253	DRIVE SLEEVE	303 SS	1
8	34555	O-RING AS-568-158	VITON	1
9	25904	ADAPTOR	CAST IRON	1
10	30321	STUD	304 SS	6
11	21238	LOCKWASHER 5/16 X 18	304 SS	16
12	21284	HEXNUT 5/16-18X1/2	304 SS	8
13	21242	CAP SCREW HH 5/16-18 X 7/8	304 SS	8
14	22387	SUCTION FLANGE	CAST IRON	1
15	21267	PIPE PLUG HH 1/4 NPT	316 SS	1
16	35609	GASKET	CORK/BUNA	1
17	22251	HOUSING	CAST IRON	1
18	35722	GASKET	KINGERSIL	1
19	22260	WEAR PLATE	STEEL	1
20	37137	SCREW FHS 5/16-18 X 5/8	304 SS	2
21	23002	CLAMP ASSEMBLY	303 SS	2
22	35682	NAME PLATE	304 SS	1
23	21266	LOCKWASHER 3/8 X 1/8	304 SS	4
24	21251	CAPSCREW: 3/8-16X7/8	304 SS	4

NOTE: THIS DRAWING OR PRINT, PROPERTY OF MP PUMPS INC., CONTAINS PROPRIETARY AND CONFIDENTIAL INFORMATION. IT SHALL BE USED ONLY AS APPROVED BY MP PUMPS AND SHALL NOT BE GIVEN TO OTHERS OR COPIED WITHOUT THE WRITTEN CONSENT OF MP PUMPS. RETURN TO MP PUMPS PROMPTLY WHEN REQUESTED.

G					UNLESS OTHERWISE NOTED THIRD ANGLE PROJECTION 2 PLACE DIM ± .020 3 PLACE DIM ± .010 ANGULAR DIM ± 1°	MP PUMPS, INC. FRASER, MICHIGAN 48026, U.S.A.						
F												
E							MATERIAL	MATERIAL SPECS				
D												
C												
B						DO NOT SCALE	DRAWN BY SF	DATE COMP. 11/11/19	APPROV. SF	SCALE	MADE FOR	MADE FROM
A	DWG UPDATED	ECN 1130344	SF	11/11/19	SF	NAME PO8PPK C:CCMTR 5/8 5.0 T-21 NRS	DRAWING NO 36296					
REV	DESCRIPTION		DRAWN	DATE	EN							