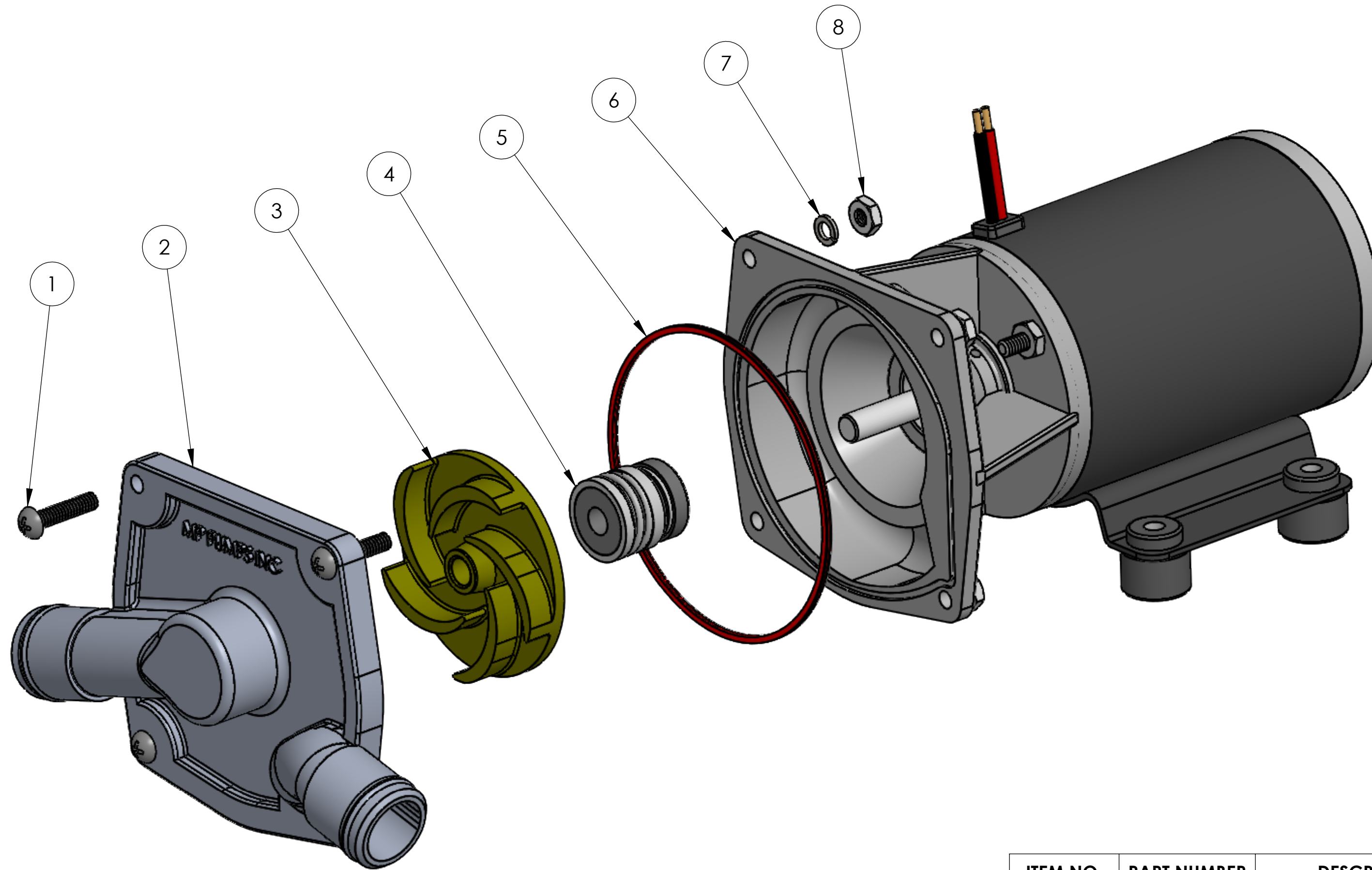


NOTE: THIS DRAWING OR PRINT, PROPERTY OF MP PUMPS INC. CONTAINS PROPRIETARY AND CONFIDENTIAL INFORMATION. IT SHALL BE USED ONLY AS APPROVED BY MP PUMPS AND SHALL NOT BE GIVEN TO OTHERS OR COPIED WITHOUT THE WRITTEN CONSENT OF MP PUMPS. RETURN TO MP PUMPS PROMPTLY WHEN REQUESTED.

G						UNLESS OTHERWISE NOTED THIRD ANGLE PROJECTION	<b>MP PUMPS, INC.</b> FRASER, MICHIGAN 48026, U.S.A.						
F											MATERIAL ALUMINUM		
E							2 PLACE DIM ± .020	DRAWN BY SF	DATE COMP. 2/23/21	APPROV. BB	SCALE	MADE FOR	MADE FROM
D							3 PLACE DIM ± .010	DO NOT SCALE					
C							ANGULAR DIM ± 1°	NAME ILXPMP A:12VDC 1 HOSE					
B							DRAWING NO MP34310						
A	UPDATED DWG	ECN 1138604	SF	2/23/21	BB								
REV	DESCRIPTION		DRAWN	DATE	EN								



ITEM NO.	PART NUMBER	DESCRIPTION	MATERIAL	QTY.
1	MP34300	CAPSCREW #10-24	ZINC PLATED STEEL	4
2	MP34305	VOLUTE COVER	ALUMINUM 360	1
3	MP21587	IMPELLER R.R. Ø2.50	NICKEL STEEL	1
4	MP28984	SEAL ASSEMBLY	VITON	1
5	MP34301	QUAD RING	BUNA	1
6	MP34307	ELECTRIC MOTOR	12VDC	1
7	MP21621	LOCKWASHER	316 SS	4
8	MP31767	HEX NUT	304 SS	4

NOTE: THIS DRAWING OR PRINT, PROPERTY OF MP PUMPS INC. CONTAINS PROPRIETARY AND CONFIDENTIAL INFORMATION. IT SHALL BE USED ONLY AS APPROVED BY MP PUMPS AND SHALL NOT BE GIVEN TO OTHERS OR COPIED WITHOUT THE WRITTEN CONSENT OF MP PUMPS. RETURN TO MP PUMPS PROMPTLY WHEN REQUESTED.

G						UNLESS OTHERWISE NOTED THIRD ANGLE PROJECTION  2 PLACE DIM ± .020 3 PLACE DIM ± .010 ANGULAR DIM ± 1°	<b>MP PUMPS, INC.</b> FRASER, MICHIGAN 48026, U.S.A.					
F											MATERIAL ALUMINUM	
E							DO NOT SCALE					
D							DRAWN BY SF	DATE COMP. 2/23/21	APPROV. BB	SCALE	MADE FOR	MADE FROM
C							NAME ILXPMP A:12VDC 1 HOSE					DRAWING NO MP34310
B												
A	UDPATED DWG	ECN 1138604	SF	2/23/21	BB							
REV	DESCRIPTION		DRAWN	DATE	EN							