



LBM800

Liquip Balance Mechanism

Fitting and Maintenance
Instructions

New Installations & Retro-Fits
Bottom and Top Loading Arms

Part 59102

Issue: H

January 2021

Contents

- Liquip LBM800 Balance Mechanism 3
- Section 1 - Loading Arm Types & Designs 4
 - 1.1 Design..... 4
 - 1.2 Technical Data 4
 - 1.3 Ordering Information..... 4
 - 1.4 Options and Related Equipment 4
- Section 2 - LBM800 Assembly Instructions..... 5
 - 2.1 Determine Required LBM800 Orientation..... 5
 - 2.2 Assembly of LBM800 Balance Mechanism on Site..... 6
- Section 3 - Installations for New & Retro-Fits 12
 - 3.1 New Installations 12
 - 3.2 Retro-Fits 12
- Section 4 – Strut and Adjustment Commissioning 15
 - 4.1 Adjustment of Assembled Loading Arm..... 15
 - 4.2 Height Adjustment 15
 - 4.3 Up Down Stop Adjustment..... 16
- Appendix 19
 - 1. LBM800 – Dimensions and Orientations..... 19
 - 2. LBM800 – Exploded View..... 20
 - 3. LBM800 – Parts List..... 21
 - 4. LBM800 – Spare Parts List..... 22

Figures

- Figure 1: LBM800 Orientations..... 5
- Figure 2: LBM800 assembly - Step 1 6
- Figure 3: LBM800 assembly - Step 2 7
- Figure 4: LBM800 assembly - Step 3 8
- Figure 5: LBM800 assembly - Step 4 9
- Figure 6: LBM800 assembly - Step 5 10
- Figure 7: Pivot Pin Identification 13
- Figure 8: LBM800 Setup 14
- Figure 9: LBM800 Height Adjustment..... 16
- Figure 10: LBM800 Up-Down Stop Adjustment 16
- Figure 11: LBM800 - Strut Maintenance 18

Liquip LBM800 Balance Mechanism

Liquip's LBM800 is a breakthrough in balance systems for loading arms.

Firstly, the LBM800 uses either single or dual lift-o-mat struts to counter-balance the weight of the arm. This provides major advantages over the traditional torsion-spring or heavy counter-balance weights as discussed below.

A prime advantage of incorporating gas-springs is that they allow for fluid movement throughout their stroke. In practice, this means that up and down movement of the arm requires minimal effort.

Also, gas struts require minimal maintenance and should replacement be necessary, simply lift and rest the coupler on a platform to allow full extension of the gas struts. Pull out the pins on the upper and lower spindles, pull off the strut and replace with a new one (a quick and easy job).

Secondly, heavily loaded swivels run on multiple rows of needle roller and ball bearings for minimum friction and long life. This reduces the amount of "contact stress" caused by day to day operations.

The LBM800 is fitted with Viton GFLT o-rings and greased with Molykote BR2 as standard. Liquip can also supply the LBM800 in models to suit chemical and aviation products as required.

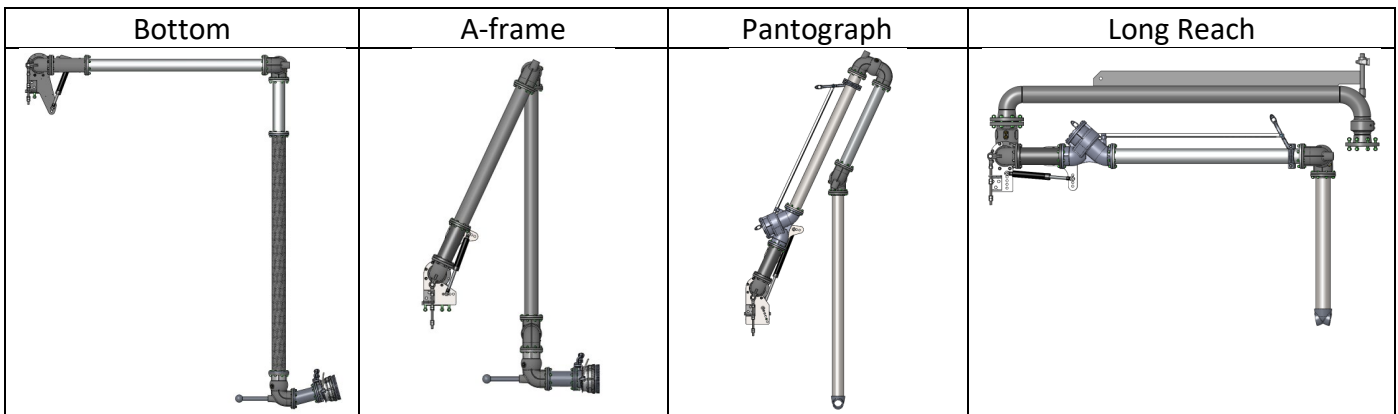
Liquip now offer complete components for loading arms including the latest LYNX bottom loading coupler. Contact your local Liquip representative for all your loading arm needs.

Operating torque of the Liquip swivel is virtually unchanged from nil pipeline pressure to 1,000kPa pipe pressure.

LBM800 loading arms come in 100mm (4") standard size. For bottom loading, up to six (6) loading arms can be placed in one bay with full crossover ability to cover the API bottom-loading envelope.

Typical horizontal reach is two (2) metres, but can be ordered to a required length to suit multiple applications. Consult Liquip for available options to best suit your needs.

LBM800 balance assemblies can also be configured to make A-frame style bottom loading arms as well as Pantograph and Long Reach Boom style top loading arms.



Section 1 - Loading Arm Types & Designs

1.1 Design

All loading arm designs are recommended to be carried out by or in collaboration with the Liquip head office design section. (Contact your local Liquip Rep for further details and a loading arm survey form).

1.2 Technical Data

Balance Mechanism:	Cast steel
Working pressure:	1000kPa (145PSI)
Test Pressure:	1600 kPa (232 PSI)
Weight:	60 kg
Viton GFLT Operating Temp:	-40°C to +60°C (-40°F to + 140°F)
Bottom loading (including low profile and unload styles)	
Min Moment / Max Moment:	90 kg.m (650 ft.lb) / 250 kg.m (1800 ft.lb)
Up Down Angular movement:	+15° to -15°
Typical Horizontal spacing:	650 mm (25.6")
Typical Vertical spacing:	450mm (17.7")
Typical Radius of arm:	1300mm to 2000mm (51.2" to 78.7")
Typical No. of Arms in a Bay:	6
Complies with API 1004 RP for API loading arm envelope.	

Maximum pressure drop at 2000 LPM (525 GPM) of petrol SG = 0.72 = 43 kPa (6.25 PSI), through standard arm assembly as shown in fig 8.

1.3 Ordering Information

LBM800	Standard balance mechanism, Viton GFLT seals (without struts)
LBM800-1Z	Standard balance mechanism, Viton GFLT seals, with 2 x 2800N struts
LBM800-2Z	Standard balance mechanism, Viton GFLT seals, with 2 x 5200N struts
LBM800-3Z	Standard balance mechanism, Viton GFLT seals, with 1 x 2800N & 1 x 5200N struts
LBM800C	For chemicals, FFKM seals (without struts)
LBM800AVI	For aviation fuels, Viton GFLT seals, aviation specific grease (without struts)
LBM800-AF	LBM800 balance mechanism with brackets for A-Frame style (without struts)
LBM800-PA	LBM800 balance mechanism with brackets for Pantograph style (without struts)
LBM800-LR	LBM800 balance mechanism with brackets for Long Reach style (without struts)

1.4 Options and Related Equipment

Part number and description	Mass (kg)	Mass (lb)
VNI-A4VG Intermediate swivel	6	13
VNC-A4VG Coupler swivel	5.7	12.5
VSS4 (straight) & VSA4 (angled 15°) Flanged Adaptor (cast coupler spools)	1.8	4
LYNX800 Series API coupler	8.5	12
API 490 series Truck API valve	4.8	10.6
BF4 – Aluminium Flange 100mm Tube TTMA	0.54	1.2
4248 - Klingersil gasket to suit 100mm TTMA	0.03	0.7
4235 - Klingersil gasket to suit ASME 150lb raised face flange	0.07	1.5
5639P Flexible stainless steel hose, Ø100mm x 2 metres long (standard), 4" TTMA flanges	5.2kg/m	3.51lb/ft
L220A Drop Spool piece, aluminium, Ø100mm x 3mm wall (Ø4" x 1/8"), 4" TTMA flanges	3.5kg/m	2.35lb/ft
L219A Horizontal Spool piece, aluminium, Ø101.6mm x 6.35mm wall (Ø4" x 1/4"), 4" TTMA flanges	5.2kg/m	3.51lb/ft
L219T Horizontal Spool piece, steel, Ø101.6 x 3mm wall (Ø4" x 1/8"), 4" TTMA flanges	9.5kg/m	6.4lb/ft
L219P Horizontal Spool piece, steel, Ø100 NB x 6mm wall (Ø4" Sch40), 4" TTMA flanges	16.0kg/m	10.7lb/ft
In Ø4" pipe, weight of petrol	5.65kg/m	3.8lb/ft
In Ø4" pipe, weight of distillate	6.6kg/m	4.42lb/ft
Riser pipe, Ø4" Sch40 API5L-B, with 4" ASME 150lb RF flanges	see L217 on Liquip drawing L137310	
Coupler spool pieces	see VSA4 & VSS4 on Liquip drawings V1101 & V1102	
Drop Pipe	see L220 on Liquip drawing L115113	
Horizontal spool	see L219 on Liquip drawing L115113	

Note: All spool pieces, horizontal pipes and drop hoses can be to order.

Section 2 - LBM800 Assembly Instructions

2.1 Determine Required LBM800 Orientation

Examples of possible orientation are as below:

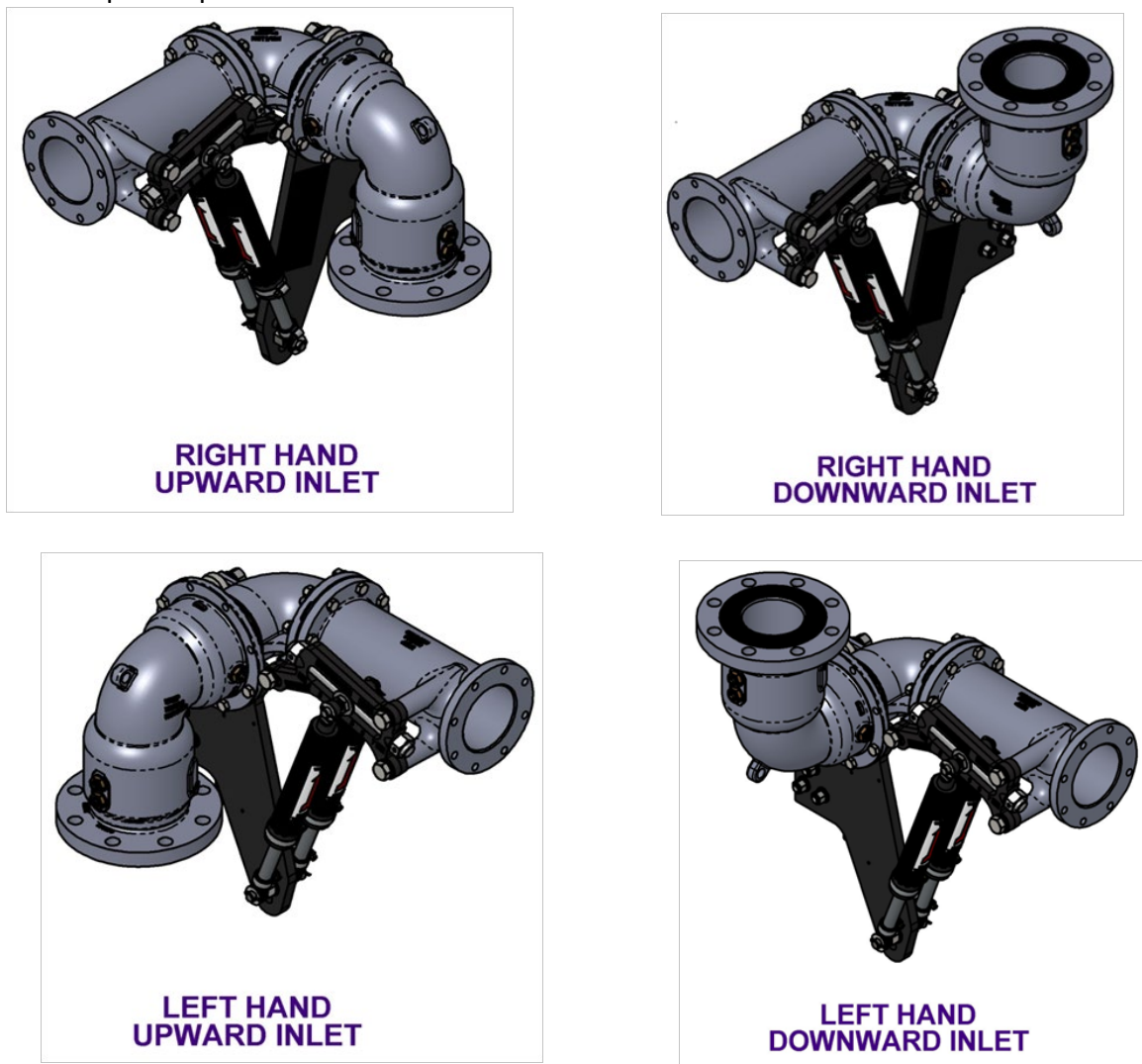


Figure 1: LBM800 Orientations

2.1.1 If the LBM800 is being installed in a new installation, please refer to the drawing provided to you by Liquip for requirements referring to the orientation of the LBM800 balance mechanism.

2.1.2 If the LBM800 is being installed in a retrofit application, copy the existing orientation when assembling the LBM800. The existing arm profile determines the orientation requirements e.g. if it is offset to the left you will require a left hand orientated unit and if it is offset to the right you will require a right hand orientated unit.

NOTE: CHECK TO ENSURE ADEQUATE CLEARANCES BEFORE INSTALLING IN RETRO FIT APPLICATIONS

2.1.3 If the existing loading bay is fitted with riser pipes then you will need to assemble your LBM800 in the upward inlet orientation. Ensure you identify if you require left or right hand orientation.

2.1.4 If the existing loading bay is fitted with overhead inlet piping you will need to assemble your LBM800 in the downward inlet orientation. Ensure that you identify if you require left hand or right hand orientation.

2.2 Assembly of LBM800 Balance Mechanism on Site

NOTE: to assemble the LBM800 in place of an existing loading arm complete sections 3.2.1 – 3.2.3 and then complete all steps in section 2.2.

2.2.1 Bolt the Outlet Spool (LBM800-9) to the Base Assembly (LBM800-100) using:

- Viton Gasket (0657DMV x1)
- Bolts (6745 x 8)
- Nuts (6744 x8)
- Washers (5288 x8)
- Spring Washers (5261 x8)

Tighten bolts to a recommended torque of 44Nm



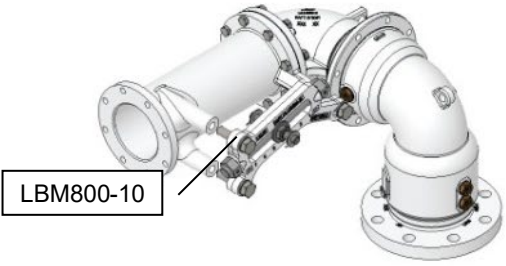
Figure 2: LBM800 assembly - Step 1

2.2.2 Bolt the adjuster bracket (LBM800-10) subassembly to the Outlet Spool (LBM800-9) using:

- Bolts (4054 x3)
- Spring Washers (5359 x3)

Tighten bolts to a recommended torque of 190Nm

For A-frame, Pantograph or Long Reach style – see Appendix A



RIGHT HAND
UPWARD INLET



RIGHT HAND
DOWNWARD INLET



LEFT HAND
DOWNWARD INLET



LEFT HAND
UPWARD INLET

Figure 3: LBM800 assembly - Step 2

2.2.3 Bolt the Drop Bracket (LBM800-7) to the Base Assembly (LBM800-100) ensuring that it is in the correct position to suit the appropriate orientation requirement.

- Bolts (6745 x5)
- Nuts (6744 x5)
- Washers (5288 x5)
- Spring Washers (5261 x5)

Tighten bolts to a recommended torque of 44Nm

For A-frame, Pantograph or Long Reach style – see Appendix A

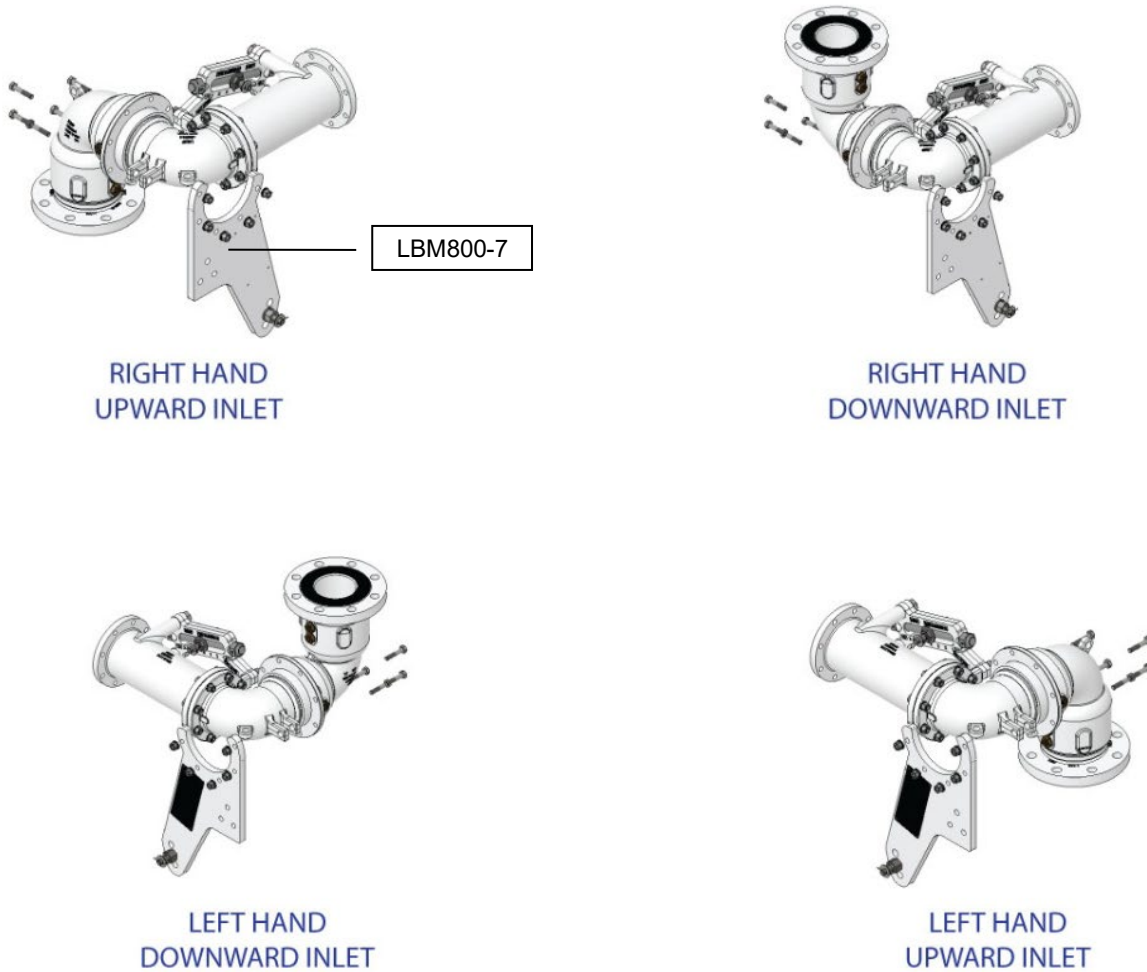
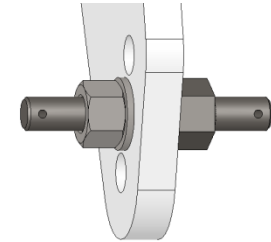


Figure 4: LBM800 assembly - Step 3

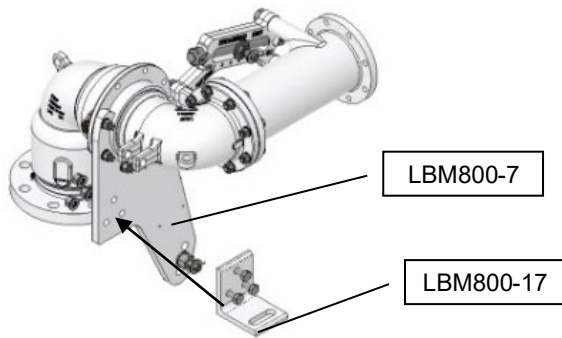
2.2.4 Assemble the bottom pivot pin to the LBM800-7 as show at right.



2.2.5 Bolt the LBM800-17 to the LBM800-7 as shown below

- Bolts (2936 x3)
- Nuts (4971 x3)
- Washers (5266 x3)
- Spring Washers (5280 x3)

Tighten bolts to a recommended torque of 30Nm



RIGHT HAND
UPWARD INLET



RIGHT HAND
DOWNWARD INLET



LEFT HAND
DOWNWARD INLET



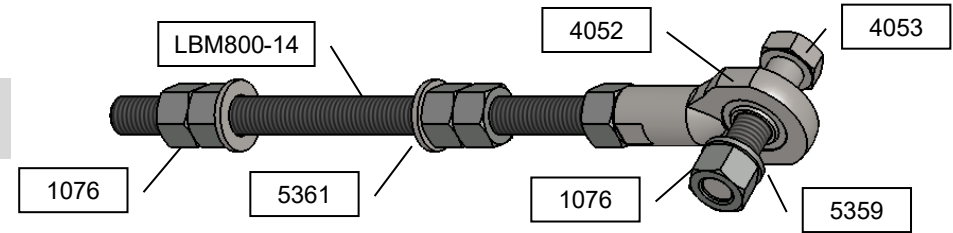
LEFT HAND
UPWARD INLET

Figure 5: LBM800 assembly - Step 4

2.2.6 Assemble the up/down stop as shown (if not already completed). Ensure the rod of the up/down stop is fully screwed into the swivel assembly and the top nut is torqued.

- Rod End (4052 x 1)
- Up/Down stop rod (LBM800-14 x 1)
- Nut (1076 x 6)
- Bolt (4053 x 1)
- Spring washer (5359 x1)
- Flat Washer (5361 x 2)

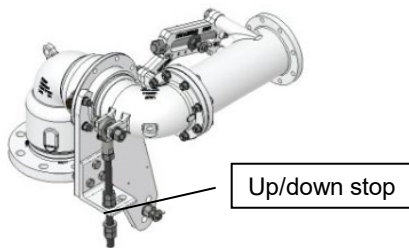
Tighten bolts to a recommended torque of 40Nm



2.2.7 Install the up/down stop as shown below. Ensure you secure stop to the drop leg with the bolts/nuts and that the up/down stop nuts are installed above and below the LBM800-7.

NOTE: Do Not Install Gas Struts yet.

Struts will be installed during Section 3 – Installations for New and Retro-fits.



RIGHT HAND
UPWARD INLET



RIGHT HAND
DOWNWARD INLET



LEFT HAND
DOWNWARD INLET



LEFT HAND
UPWARD INLET

Figure 6: LBM800 assembly - Step 5

Once you have assembled the LBM800 in the appropriate orientation you are ready to complete the installation of the loading arm or to retrofit the LBM800 to the existing loading arm structure. Follow the instructions in Section 3 – Installations for New and Retro-fits Section 3 - Installations for New & Retro-Fits.

A rotation limiter assembly is available (Part LBM800-RLB) – this is recommended when any electrical cable or air line is routed along the loading arm.

Section 3 - Installations for New & Retro-Fits

3.1 New Installations

- 3.1.1 If installing the Loading Arm in a new installation, follow the loading arm design diagram that has been provided to you by Liquip or refer to figure 8.

NOTE: If you have not received any loading arm designs please contact your Local Liquip Representative.

3.2 Retro-Fits

Removal of existing balance assembly

- 3.2.1 Drain the loading arm of product and isolate the bay before safely removing the horizontal spool from the existing balance assembly.
- 3.2.2 Remove the existing balance assembly from the riser pipe.



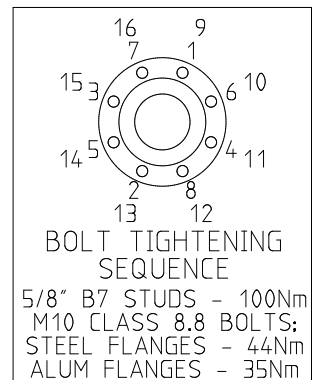
Caution: Existing balance assembly is too heavy to support by hand!

Fitting the LBM800 On To Riser Pipe



Caution: LBM800 is too heavy to support by hand!

- 3.2.3 Fit the 100mm (4") ASME 150 flange of the LBM800 to the riser pipe. Use appropriate gasket and use 5/8" UNC x 3 1/2" long B7 petrochemical studs and 2H nuts tightened to a torque of 100Nm (160ftlbs) (Stud/Nuts – [Liquip P/N: 4892] [8 required] & Klinger gasket – [Liquip P/N: 4235]).



- 3.2.4 Identify which gas struts are currently being used and order new gas struts as required.

Depending on arm dimensions, components & product, using a combination of the two available struts - 4416 (2800N force) & 3008 (5200N force) allows a wide range of solutions for many applications.

- 3.2.5 Position the top pivot pin approximately in the centre of the adjuster bracket. The bottom pivot pin should be in centre hole except for in exceptional circumstances (refer Figure 7: Pivot Pin Identification). Lift spool upwards and place struts onto pivot pins with the leather boot down and fit washers (P/N - 4359) and split pins (P/N - 4871) to both top and bottom pivot pins.



Important: Lift-o-mat struts must be installed with the leather boots downwards for proper internal lubrication.

Tip:

Struts with Black boots are rated to 2,800N

Struts with Green boots are rated to 5,200N.

PIVOT PIN IDENTIFICATION

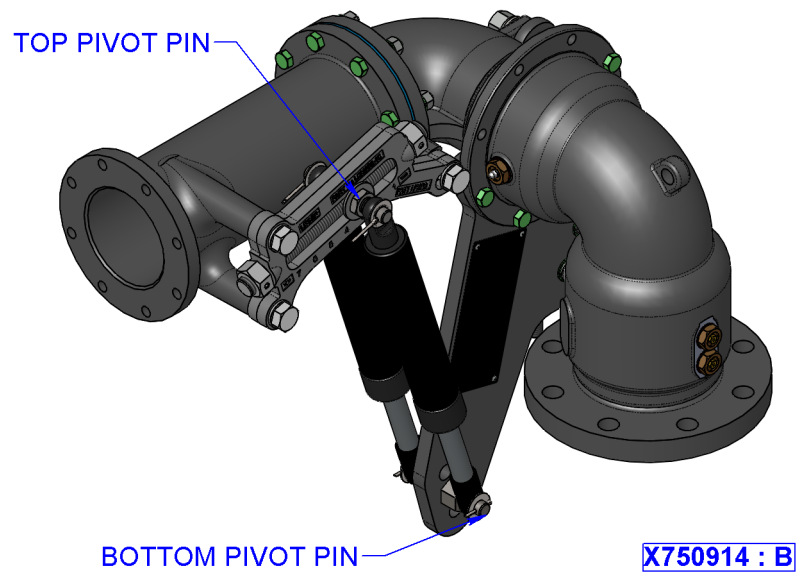


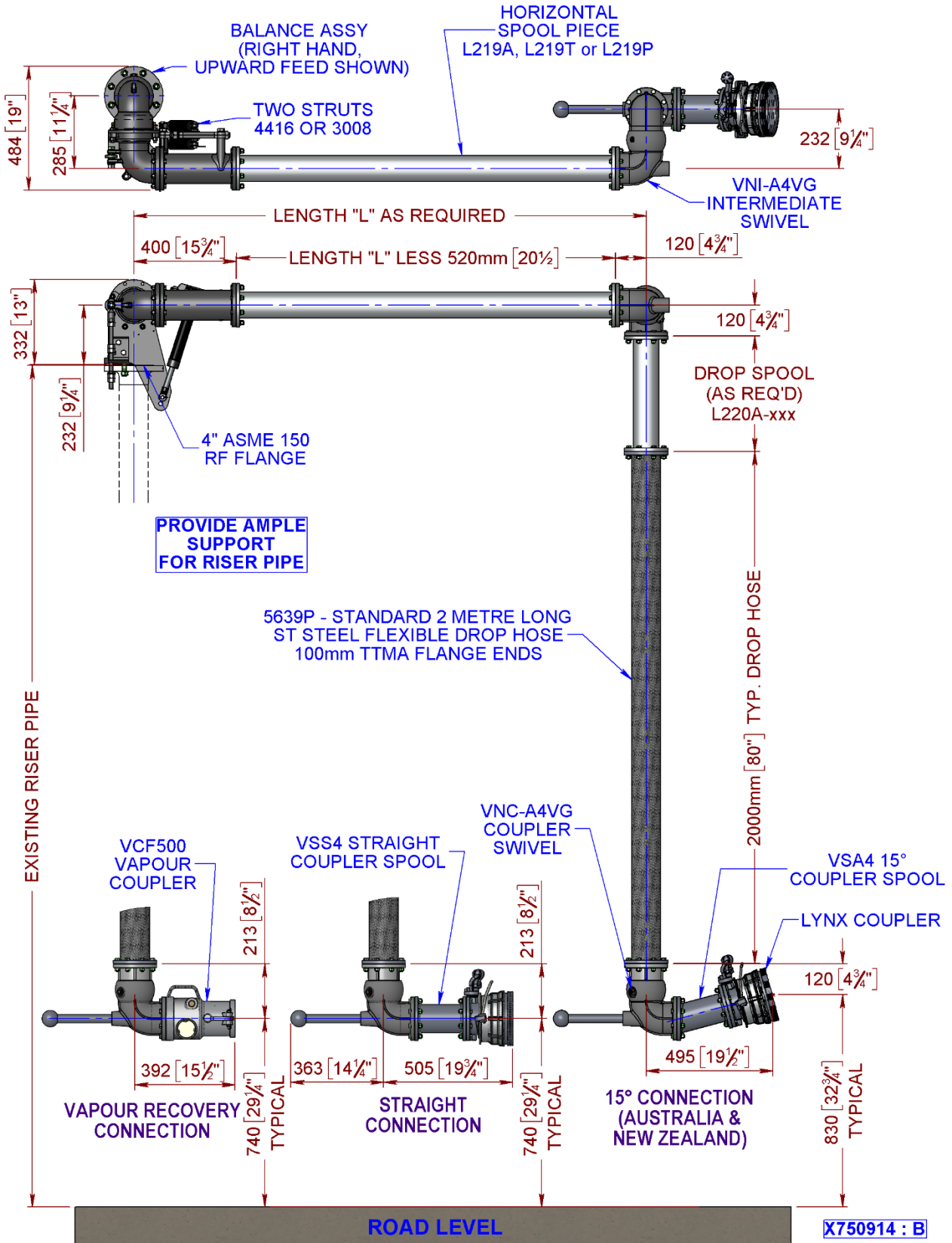
Figure 7: Pivot Pin Identification

3.2.6 Bolt the horizontal spool to the TTMA outlet of the LBM800 and re assemble the loading arm.

Use appropriate gasket & use M10 x 45mm long Class 8.8 bolts and nuts tightened to a torque of 44Nm (32ft.lb) for steel flanges or 35Nm (26ft.lb) for aluminium flanges.

3.2.7 Fill with product, check for leaks, and check operation of all swivels.

LBM800 SETUP



See website for Liquip branches and distributors
www.liquip.com

X750914

Sheet 1/3 Issue: B

Figure 8: LBM800 Setup

Section 4 – Strut and Adjustment Commissioning

4.1 Adjustment of Assembled Loading Arm



NOTE: The Up/Down stop should not be used to support an arm without struts.

Ensure the loading arm is filled with product and has no leaks. Take the weight off the arm before moving the adjustment nut.

4.2 Height Adjustment

Adjustment of Assembled Loading Arm to decrease Upwards force (to lower)

- 4.2.1** Turn the nut on the adjustor bracket to move the pivot pin in towards the riser pipe, decreasing the upward force of the struts (see figure 9). The centre of the API coupler should rest 830mm (33”) for 15° spools or 740mm (29”) for straight spools from ground level (see figure 8), unless otherwise specified.

Adjustment of Assembled Loading Arm to increase Upwards force (to raise)

- 4.2.2** Turn the nut on the adjustor bracket to move the pivot pin away from the riser pipe, increasing the upward force of the struts (see figure 9). The centre of the API coupler should rest 830mm (33”) for 15 deg spools or 740mm (29”) for straight spools from ground level. (See figure 8), unless otherwise specified.
- 4.2.3** The arm should be easy to move and when the arm is pushed up or down the API coupler should come to rest within 50mm (± 2 ”) from the recommended height outlined in figure 8.
- 4.2.4** If the coupler does not come to rest within the height ± 50 mm as outlined in figure 8, re adjust the arm by rotating the adjustor nut one (1) complete turn at a time in the required direction and re check. Continue this procedure until the coupler comes to rest within the tolerance.

When adjusting the loading arm jiggle the coupler up and down to get a true indication of what height the coupler comes to rest.

If when checked as above the arm comes to rest within the tolerance from ground level, you have successfully adjusted the loading arm.



Note: If you change the product the arm is dispensing, you may have to re-adjust the arm.

HEIGHT ADJUSTMENT

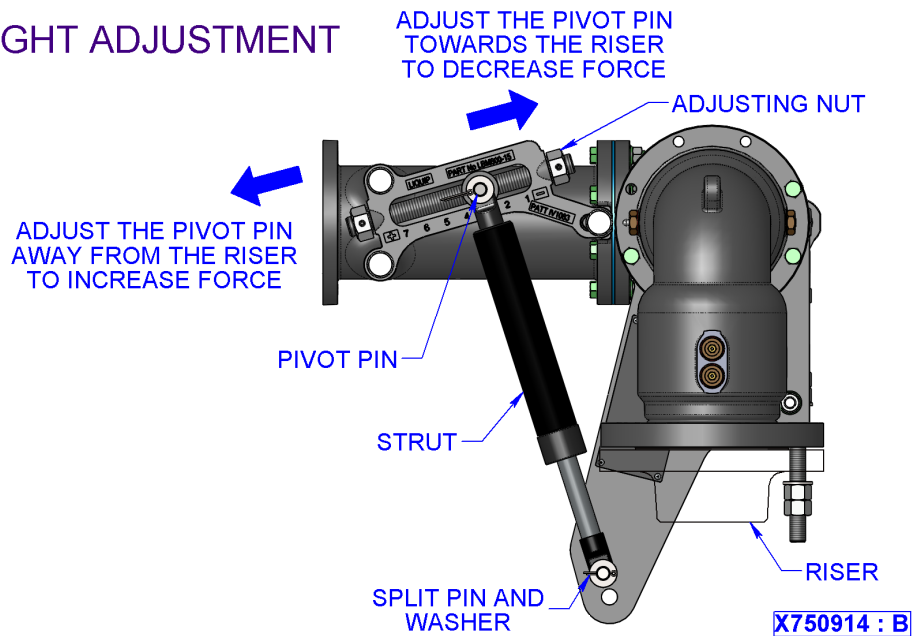


Figure 9: LBM800 Height Adjustment

4.3 Up Down Stop Adjustment



NOTE: The Up/Down stop should not be used to support an arm without struts.

- 4.3.1 The Up down stop can be used to prevent damage to the loading arm by preventing contact with overhead objects or preventing the coupler striking the ground.
 - 4.3.1.1 To adjust the up stop, hold the arm at the maximum desired height and set the top two locking nuts to the top side of the bracket. (see figure 10)
 - 4.3.1.2 To adjust the down stop, hold the arm at the minimum desired height and set the bottom two locking nuts to the underside of the bracket. (see figure 10)

UP-DOWN STOP ADJUSTMENT

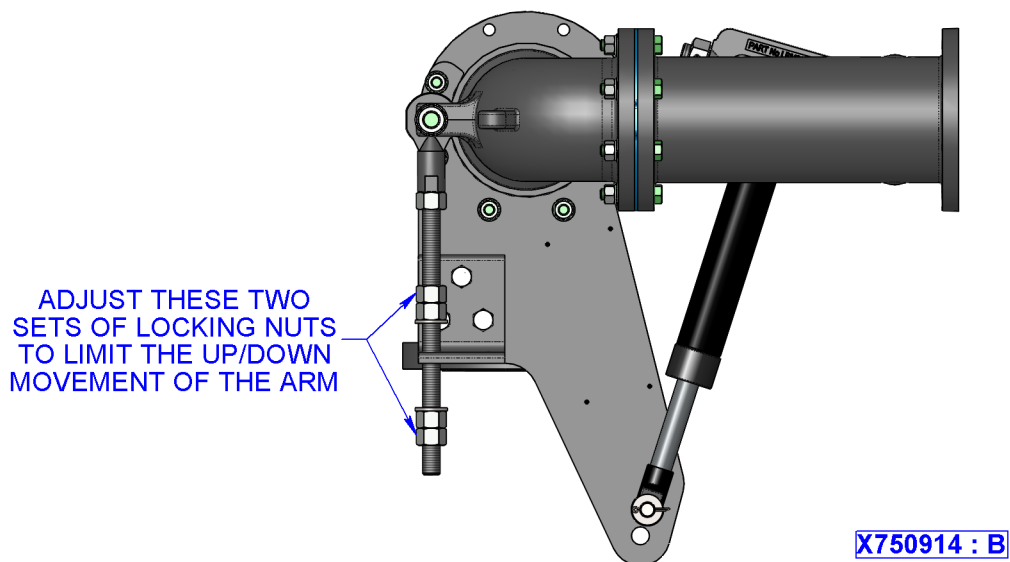


Figure 10: LBM800 Up-Down Stop Adjustment

Section 5 - Maintenance Information

5.1 Regular Maintenance Inspections

The LBM800 balance assembly has been designed so that it does not require regular maintenance under normal operating conditions and in normal environmental conditions. However, Liquip strongly recommend that users periodically inspect the balance mechanism for visual wear and functional operation.

If the user notices that the swivel has become harder than usual to rotate or if they note any signs of leakage, it is advised that the unit should be inspected further. Please contact your local Liquip representative for further instructions.

5.2 Adjustment Of Assembled Loading Arm

Periodically check to ensure that the loading arm is sitting within the below tolerance

The API coupler should sit within $\pm 50\text{mm}$ from 830mm (33") for 15° spools or 740mm (29") for straight spools from ground level (see figure 8).

If the arm is no longer sitting within the tolerance you will need to turn the nut on the adjuster bracket to increase or decrease upward force. Before commencing any adjustments, ensure that you have suitably supported the horizontal spool. (Refer to Section 4.2 Height Adjustment, for more detail).

Ensure that you move the position of the nuts on the Up/Down stop to allow the arm to move freely without clashing into any objects i.e. the horizontal arm should be parallel to ground. A tolerance of $\pm 5^\circ$ is permissible.

5.2.1 A failed strut should always be easily identifiable by

- Oil leakage at bottom.
- It will be loose on spindles. (Before an adjustment is made)
Remove split pins and slide old strut off - remove from the bottom pivot pin first.

If any of the gas struts have failed, please contact your local Liquip Representative for replacement struts. In the event of strut failure...



Caution: Do not attempt to remove a strut unless the horizontal arm is properly supported. The loading arm is too heavy to support by hand!

When replacing Lift-o-mat struts, ensure replacement strut is of the same force as that being replaced. 5200N struts have a green leather boot, while the 2800N strut is black. See section 3.4. Quote identification numbers on side of strut when ordering replacement.

5.2.2 Mark position of up stop nuts (above bracket) and wind them all the way up to allow higher movement.

5.2.3 Slide new strut onto the pivot pins, secure with washers and split pins and wind upper adjusting nuts back to previous positions. Refer to section 4 to re-adjust loading arm.

Important: Struts must be installed with the leather boots downwards for proper internal lubrication.

The piston rod finish is crucial for the sealing of the strut, (similar to hydraulic or pneumatic cylinder piston). It is very important not to damage the strut. Avoid clamping or gripping, levering against, hammering, buffing or grinding, corrosive substances and painting (or overspray).

5.2.4 To ensure maximum lifetime of struts, it is recommended that the greasing sponge underneath the leather boot has fresh grease applied to it annually. To do so, follow these steps (refer figure 11) (regreasing may be carried out without supporting the weight of the arm as struts will not be disconnected):

1. Loosen larger diameter hoseclamp with an appropriate socket or flat screwdriver.
2. Slide leather boot down and remove sponge.
3. Liberally apply grease to inside of sponge tube – Liquip recommends multipurpose lithium based grease.
4. Replace sponge back around piston rod of strut.
5. Pull leather boot over sponge and up over strut cylinder.
6. Replace hoseclamp and tighten in original position.
7. Remember you are doing this to prevent damage to the shaft, so pick a day when the wind is low and there is no dust in the air.

STRUT MAINTENANCE

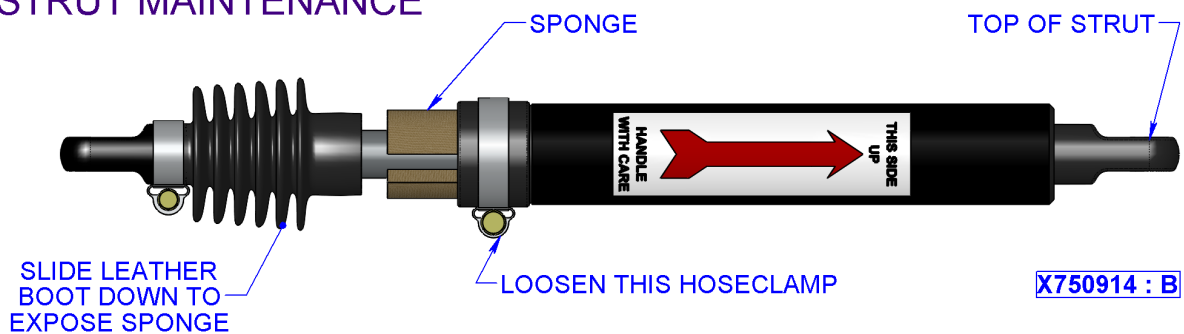


Figure 11: LBM800 - Strut Maintenance

Section 6 – Checklist Loading Arms

6.1 Before Filling With Product, Check:

- All spool pieces and swivels fitted to correct arm.
- Tightness of all flanges bolting (see Section 3 – Installations for New and Retro-fits for torque values).
- All split pins and washers fitted to top and bottom pivot pins.
- All leather boots secure on struts, with boots facing down.
- Struts lower pivots positioned in central hole in bracket (except for special purposes).
- Up/down stops fitted and adjusted.

6.2 After Filling With Product:

- Adjust force by adjusting struts per Section 4 – Strut and adjustment commissioning



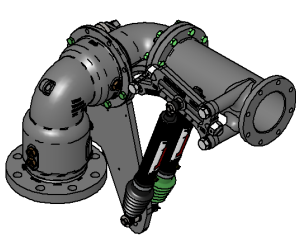
Note: During, adjustment, move the coupler up and down to ensure it shows a true position.

- Adjust “down” and “up” stops to prevent loading arm from crashing into nearby objects.
- Visually check for product leaks.
- Check ease of rotation and up-down movement.

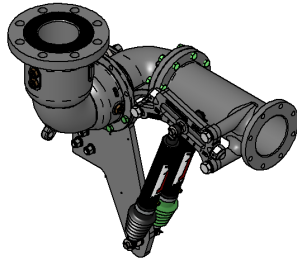
Appendix

1. LBM800 – Dimensions and Orientations

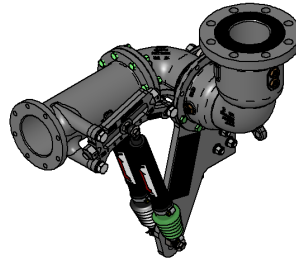
LBM800 - LIQUIP BALANCE MECHANISM



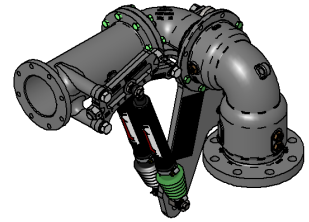
**LEFT HAND
UPWARD FEED INLET**



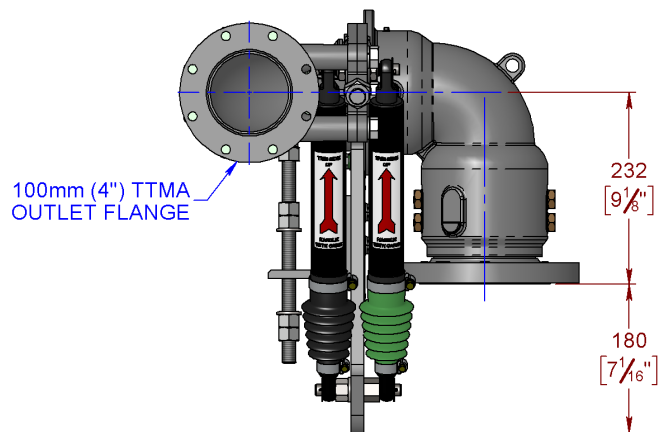
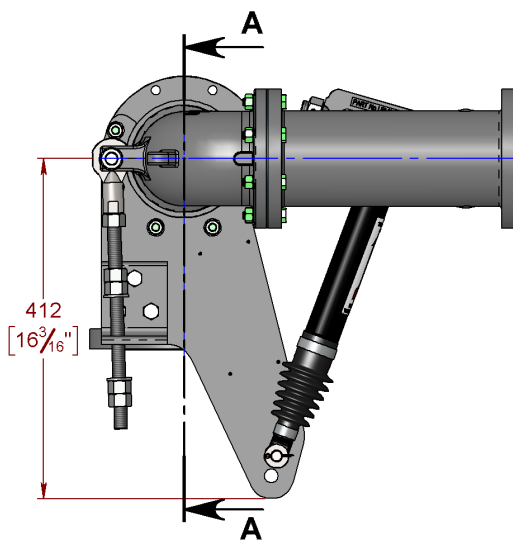
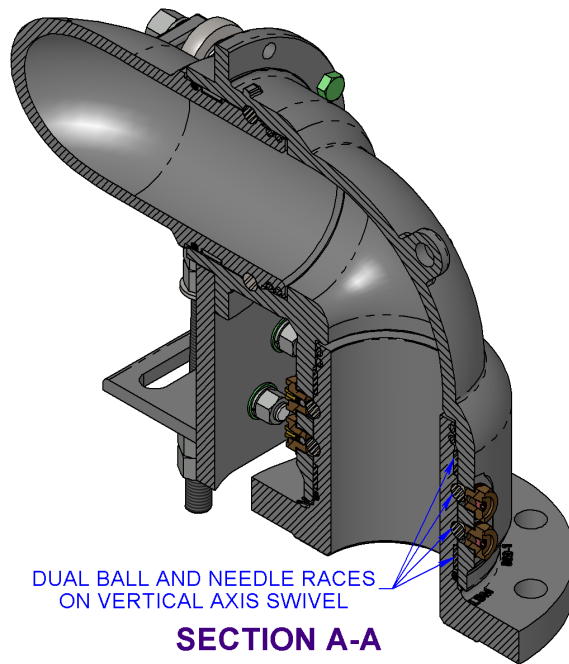
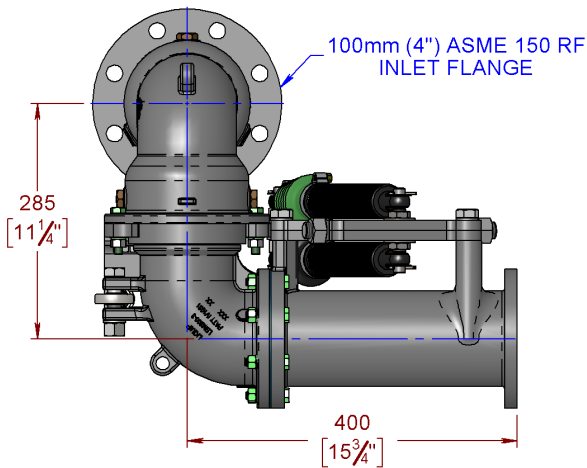
**LEFT HAND
DOWNWARD FEED INLET**



**RIGHT HAND
DOWNWARD FEED INLET**



**RIGHT HAND
UPWARD FEED INLET**



X750514 : E

METERS - VALVES - VENTS - MANHOLES - HOSEREELS - OVERFILL PROTECTION - LOADING ARMS - ELECTRONIC DIPSTICKS



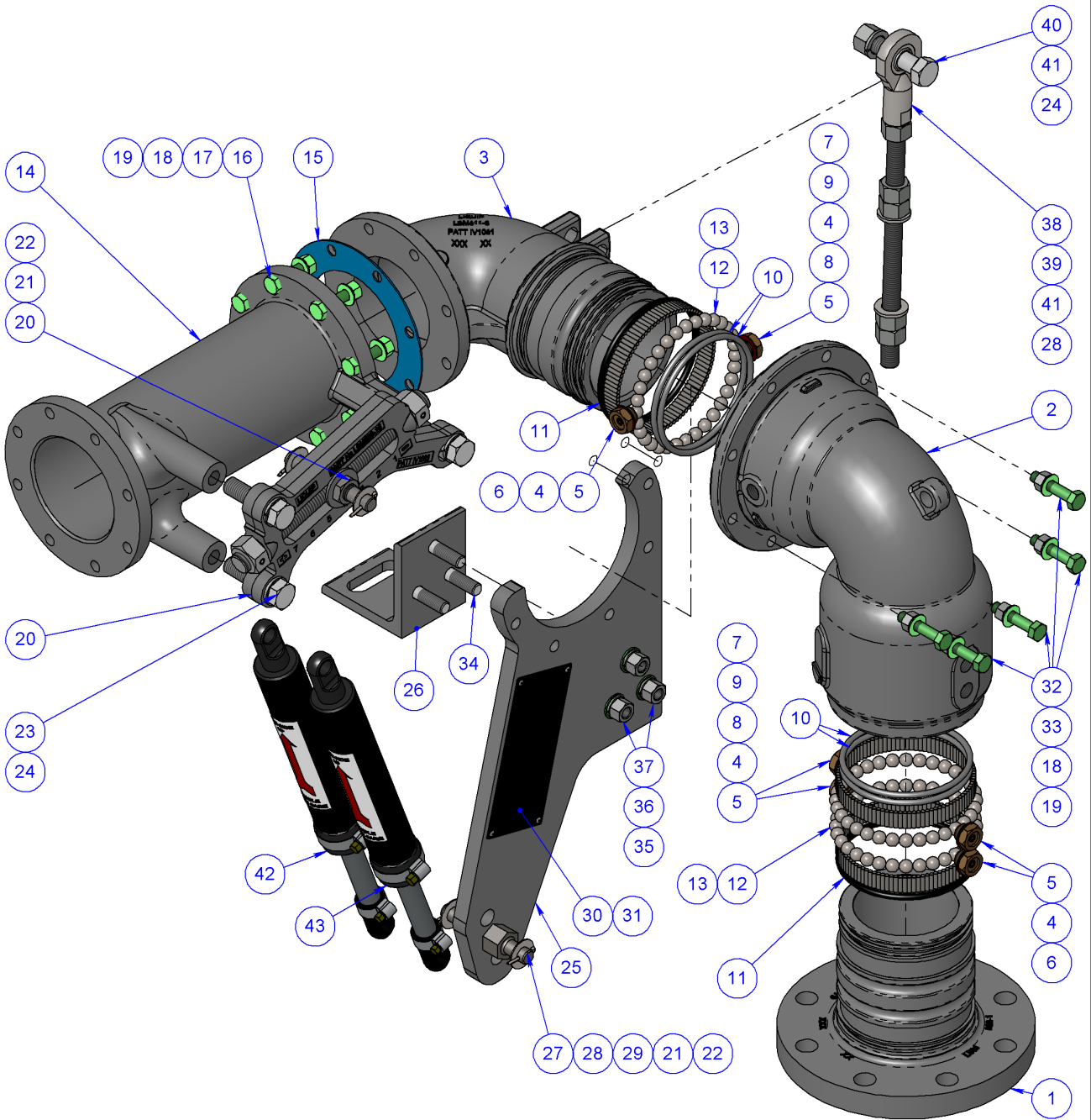
LIQUIP INTERNATIONAL PTY LTD
 13 HUME ROAD SMITHFIELD SYDNEY N.S.W. AUSTRALIA 2164
 Phone: +61 2 9725-9000 Web: www.liquip.com

X750514

Sheet 1 of 4
Issue: E

2. LBM800 – Exploded View

LBM800 - LIQUIP BALANCE MECHANISM



X750514 : E

METERS - VALVES - VENTS - MANHOLES - HOSEREELS - OVERFILL PROTECTION - LOADING ARMS - ELECTRONIC DIPSTICKS



LIQUIP INTERNATIONAL PTY LTD
 13 HUME ROAD SMITHFIELD SYDNEY N.S.W. AUSTRALIA 2164
 Phone: +61 2 9725-9000 Web: www.liquip.com

X750514

Sheet 2 of 4
 Issue: E

3. LBM800 – Parts List

LBM800 - LIQUIP BALANCE MECHANISM

ITEM	PART No	DESCRIPTION	LBM800	LBM800AVI	LBM800C	MATERIAL
1	LBM800-1	MALE STRAIGHT	1	1	1	CAST STEEL
2	LBM800-2	ELBOW FEMALE	1	1	1	CAST STEEL
3	LBM800-3	OUTLET ELBOW	1	1	1	CAST STEEL
4	0885	WASHER FIBRE	6	6	6	FIBRE
5	SJW100-3	BALL RETAINER PLUG	6	6	6	BRASS
6	6696	GRUBSCREW CUP POINT	3	3	3	ST STEEL
7	4480	SPRING COMPRESSION	3	3	3	ST STEEL
8	6688	SCREW RETAINING	3	3	3	BRASS
9	4580	BALL BEARING	3	3	3	STEEL
10	0208VG	O-RING (PRODUCT SEAL)	4	4	-	VITON GFLT
	0208K	O-RING (PRODUCT SEAL)	-	-	4	FFKM
11	7619	O-RING (ENVIRO SEAL)	2	2	2	H.A.N.
12	2334	BALL BEARING	96	96	96	STEEL
13	4531	NEEDLE ROLLER	282	282	282	STEEL
14	LBM800-9	OUTLET SPOOL	1	1	1	CAST STEEL
15	0657DMV	GASKET TTMA 100mm (4")	1	1	1	VITON A
16	6745	BOLT METRIC	8	8	8	Z/P STEEL
17	6744	NUT METRIC	8	8	8	Z/P STEEL
18	5261	WASHER SPRING	13	13	13	Z/P STEEL
19	5288	WASHER FLAT	13	13	13	Z/P STEEL
20	LBM800-10	ADJUSTER BRACKET	1	1	1	CAST STEEL
21	4359	WASHER FLAT	4	4	4	Z/P STEEL
22	4871	SPLIT PIN	4	4	4	ST STEEL
23	4054	BOLT METRIC	3	3	3	Z/P STEEL
24	5359	WASHER SPRING	4	4	4	Z/P STEEL
25	LBM800-7	DROP BRACKET	1	1	1	STEEL
26	LBM800-17	BRACKET-UP DOWN STOP	1	1	1	STEEL
27	LBM800-11	PIVOT PIN BOTTOM	1	1	1	Z/P STEEL
28	5361	WASHER FLAT	3	3	3	Z/P STEEL
29	4055	NUT METRIC FINE	1	1	1	Z/P STEEL
30	59104	LABEL ID - LOADING ARMS	1	1	1	ALUMINIUM
31	0005	POP RIVET	4	4	4	ALUMINIUM
32	4020	SETSCREW METRIC	5	5	5	Z/P STEEL
33	0055	NUT METRIC	5	5	5	Z/P STEEL
34	2936	BOLT METRIC	3	3	3	Z/P STEEL
35	5266	WASHER FLAT	3	3	3	Z/P STEEL
36	5280	WASHER SPRING	3	3	3	Z/P STEEL
37	4971	NUT METRIC	3	3	3	Z/P STEEL
38	4052	ROD END - UP/DOWN STOP	1	1	1	Z/P STEEL
39	LBM800-14	UP DOWN STOP	1	1	1	Z/P STEEL
40	4053	BOLT METRIC	1	1	1	Z/P STEEL
41	1076	NUT METRIC	6	6	6	Z/P STEEL
42	4416	LIFT-O-MAT STRUT	AS REQ'D			STEEL
43	3008	LIFT-O-MAT STRUT	AS REQ'D			STEEL

X750514 : E

METERS - VALVES - VENTS - MANHOLES - HOSEREELS - OVERFILL PROTECTION - LOADING ARMS - ELECTRONIC DIPSTICKS



LIQUIP INTERNATIONAL PTY LTD
 13 HUME ROAD SMITHFIELD SYDNEY N.S.W. AUSTRALIA 2164
 Phone: +61 2 9725-9000 Web: www.liquip.com

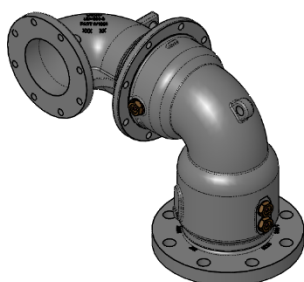
X750514

Sheet 3 of 4
Issue: E

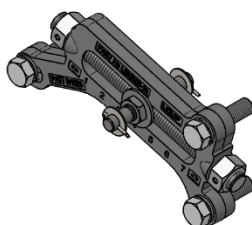
4. LBM800 – Spare Parts List

LBM800 - LIQUIP BALANCE MECHANISM

SPARE PARTS FOR LBM800



LBM800-100
COMPLETE SWIVEL ASSEMBLY
SIMPLE BOLT-IN REPLACEMENT



LBM800-ABA
ADJUSTER BRACKET ASSEMBLY
WITH MOUNTING BOLTS



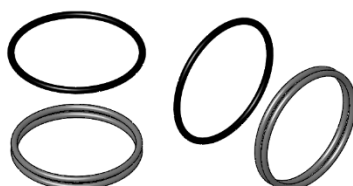
LBM800-UDL
UP/DOWN LIMITER BOLT
WITH MOUNTING FASTENERS



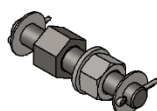
LBM800-VSK
BEARING & SEAL COMPONENTS
FOR VERTICAL AXIS SWIVEL



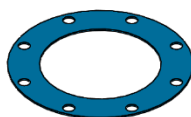
LBM800-HSK
BEARING & SEAL COMPONENTS
FOR HORIZONTAL AXIS SWIVEL



LBM800-ASK
O-RING SEAL COMPONENTS
FOR BOTH SWIVELS



LBM800-PPA
PIVOT PIN ASSEMBLY
FOR LOWER STRUT MOUNT



0657DMV
100mm VITON TTMA GASKET
BETWEEN SWIVEL & OUTLET
ALTERNATIVE - 4248 KLINGERITE



4416
LIFTOMAT STRUT
2800N
(BLACK BOOT)



3008
LIFTOMAT STRUT
5200N
(GREEN BOOT)

X750514 : E

METERS - VALVES - VENTS - MANHOLES - HOSEREELS - OVERFILL PROTECTION - LOADING ARMS - ELECTRONIC DIPSTICKS



LIQUIP INTERNATIONAL PTY LTD
13 HUME ROAD SMITHFIELD SYDNEY N.S.W. AUSTRALIA 2164
Phone: +61 2 9725-9000 Web: www.liquip.com

X750514

Sheet 4 of 4
Issue: E



Liquip complies with the following standard:

AS/NZS ISO9001-2008: Quality Management Requirements