



# PC-31

## PORTABLE EVAPORATIVE COOLER

View this manual online at [www.lbwhite.com](http://www.lbwhite.com)

### Attention

Do not return this item to the place of purchase unless instructed to do so by customer support

If you should find any missing parts, any loose, or dislodged items or have any questions please call us first. We have parts and expert support that can help you. We value your business and are here to help. We can ship any replacement or warranty parts to you quickly so your mobile cooler can keep you cool.

[www.lbwhite.com](http://www.lbwhite.com)

SEE ASSEMBLY  
INSTRUCTIONS  
INSIDE



Evaporative cooling works on the principle of heat absorption by moisture evaporation. Simply put, heat is removed from the air as water evaporates. You feel this principle in action when you step out of a swimming pool or shower and feel cool as water evaporates from the surface of your skin. Your evaporative cooler works on the same principle. The fan pulls hot outside air through the wet cooling pads, where the air is cooled by evaporation and then discharged from the cooler.



SCAN THIS

with your smartphone or visit <http://www.lbwhite.com> to view.

*\* Requires an app like QR Droid for Android or for iPhone*

**WORLD PROVIDER - INNOVATIVE CLIMATE SOLUTIONS**

411 Mason Street, Onalaska, WI 54650 • 800-345-7200 • 608-783-5691 • 608-783-6115 (fax) • [www.lbwhite.com](http://www.lbwhite.com)

## TABLE OF CONTENTS

Contents .....	3
Inspection .....	3
Operating Instructions .....	3
Key Operational Points.....	4
Safety Rules .....	5
Cooler Setup and Operation.....	5
Connecting to a power supply .....	6
Cooler Maintenance .....	7
Cleaning Cooler and Pads.....	8
Removal of the Back Panel .....	8
Draining the Cooler Tank .....	9
Removal and Replacement of Cooling Media .....	9
Pump Maintenance and Replacement .....	10
Float Valve Replacement or Adjustment.....	10
Troubleshooting Guide .....	11
Warranty Policy.....	14



## GENERAL HAZARD WARNING

USE ALL PRECAUTIONS AND DISCONNECT FROM POWER SOURCE BEFORE PERFORMING ANY MAINTENANCE.

## Product Specs

Variable Airflow Delivery	3,100 / 2,400 / 1,850 CFM
Cooling Area	950 S.F.
Water Reservoir	10.3 Gallons
Motor	1/5 H.P. 115 V 3 Speed
Dimensions	38"H x 24"W x 16"D
Weight	45 lbs.

## Contents

### **CONTENTS**

Evaporative Cooler (1)  
Hardware Bag (1)  
Casters (4)

### **TOOLS / MATERIALS NEEDED:**

Drill with #2 Phillips bit  
OR  
Phillips head screwdriver

## Inspection

After unpacking your evaporative cooler, carefully inspect for any damage that may have occurred during transit. Inspect for loose, missing or damaged.

## Operating Instructions

Evaporative cooling works on the principle of heat absorption by moisture evaporation. Simply put, heat is removed from the air as water evaporates. You feel this principle in action when you step out of a swimming pool or shower and feel cool as water evaporates from the surface of your skin.

Your evaporative cooler works on the same principle. The fan pulls hot outside air through the wet cooling pads, where the air is cooled by evaporation and then discharged from the cooler.

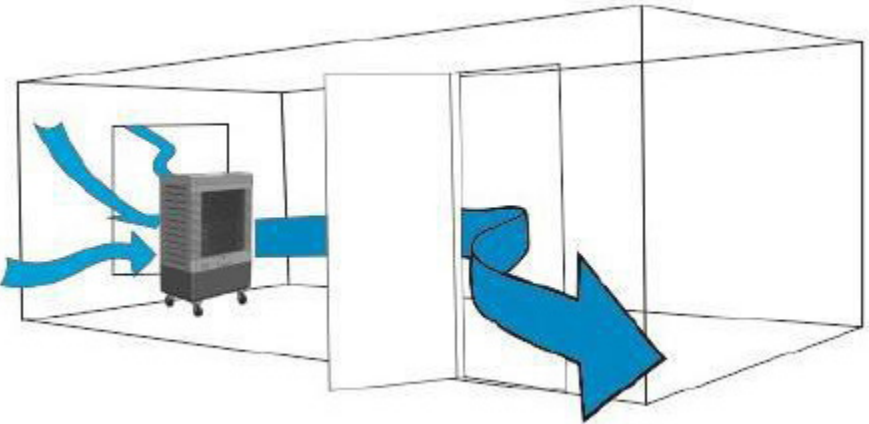
## Key Operational Points

1. Your cooler must be positioned in front of an open window or door if it is to operate effectively.
2. Always ensure that there is another open window or door through which the air can exhaust from the room.
3. Ensure the filter is kept clean throughout the summer season.
4. At the end of each day run your cooler on FAN ONLY for 30 minutes to dry out the filter.
5. Prior to putting your cooler away for winter, always:
  - a. Drain the tank and wipe out clean.
  - b. Clean the filter
  - c. Reassemble and run on FAN ONLY for 30 minutes to dry out the filter.

### Location! Location! Location!

Having completed assembly of your cooler, position the unit with its back to an open window or door. This will allow fresh air to be drawn through the cooler and exhausted from the room. Constant air change is essential and part of the fresh air benefit from evaporative air cooling.

This cooler is equipped with an automatic shut off feature for the pump if the unit runs out of water.



## Safety Rules

1. Read and follow all instructions, cautions, and warnings. Failure to do so could result in personal injury, death or property damage.
2. Unit must be in the OFF position and UNPLUGGED from power receptacle before performing any maintenance.
3. Make sure the electrical power source conforms to the requirement of the evaporative cooler(s) as well as local codes. The power requirement for the PC-31 is 115v, 2.8 amps.
4. To reduce the risk of fire or electrical shock, do not expose electrical connections to water.
5. Do not touch electrically live components.
6. Adequate ventilation is required. When used in enclosed spaces, it is recommended to open a door or window to draw fresh air in.
7. Assure that all power cords do not come in contact with any sharp edges, hot surfaces or chemicals. Immediately replace any damaged parts.

## Starting and using the cooler



## Cooler Setup and Operation

PC-31 is pre-assembled and ready to operate. Simply remove the packaging and then carefully remove the unit from the box. Install Casters. Lock the 2 locking wheels before filling and turning on fan to keep the cooler from moving from the air velocity.

**NOTICE:** the cooling pad will have a slight odor when it is new. This is normal. It will dissipate after a period of time depending on the use time. Draining the tank often during the break-in period will help speed this up. (See draining tank in section 5)

### Filling Cooler or Connecting to Water Supply

Move the cooler to an area where it can be filled

#### Manual fill method

The cooler can be filled via the front fill door by hose or bucket. Using the water fill indicator to monitor water level, simply depress the fill door and the spring lock will release and open it. To close, simply push it closed and locked.

**Auto fill connections**

Connect to a water supply using a garden hose or coil hose, or a direct water line. Simply attach hose adaptor (supplied with cooler) to the float valve nipple protruding from cooler. Verify water tight connections by visually examining the hose connection

**CAUTION:** Water inlet pressure should be limited to a maximum 50 PSI. If valve is overcome, install a pressure reducer (25 PSI) on nipple first. (It can be obtained at hardware stores in irrigation section.) Hose bib needs only be opened slightly to supply water to float valve and the cooler only needs to be about half filled when in auto fill configuration. The float is already set to that level.



## Connecting to a power supply

Plug the cooler into any 115 volt power supply. It is permissible to use extension cords when needed. If there is no power to the unit, reset the GFCI.



## Using the Control Switches



**Swing Button** - Press to operate oscillation motor to swing the air left to right.

**Timer Button Lit when engaged** - Press to select the desired timer selection, cooler will stop running all features when selected time expires.

**Pump Button** - Pump will function continually when this light is lit.

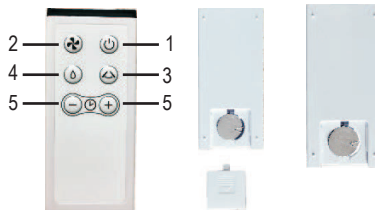
**Fan Button** - Fan: Low / Medium / High

**Power Button** – If Green light, all functions will be able to operate. Red light, all control functions will be off. Main power control. When the power is turned to the “OFF” position, the other controls will not work.

## Remote Control

### The remote-control functions:

- 1) Power
- 2) Fan speed
- 3) Swing
- 4) Pump
- 5) Timer



To replace the battery, slide the back panel of the remote-control down to release it. Remove old battery and replace with CR 2025 round battery.

## Cooler Maintenance

### **⚠ WARNING**

DO NOT remove back panel with cooler running.

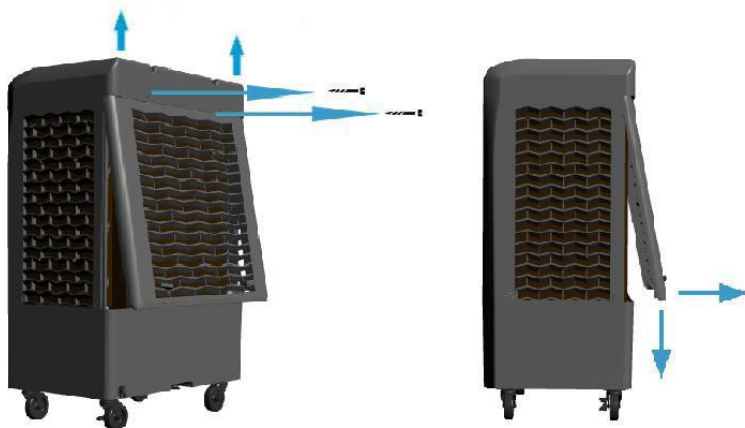
For best operation and long useful life the following maintenance and cleaning procedures should be followed.

## Cleaning Cooler and Pads

At regular intervals your evaporative cooler should be shut down and disconnected from power supply. The water tank should be drained of dirty water and sprayed out with fresh water and refilled. The more you do this the better it will work and less calcium will develop on pads or other surfaces. You may spray through the cooling pads to wash them out and allow water to deposit in the tank to be drained away. The removable panel and media pad can be sprayed out on the ground to clean pad. Use light pressure when spraying pads. NEVER spray pads with water while cooler is operating and fan is running. This can cause damage to motor and will void the warranty.

## Removal of the Back Panel (Disconnect power supply before this procedure.)

Unscrew the screws at top of back panel (3). Lift panel up and pull out at the bottom. Then slide panel out of the cabinet. You will now have access to the pump, float valve and water distributor spreaders.



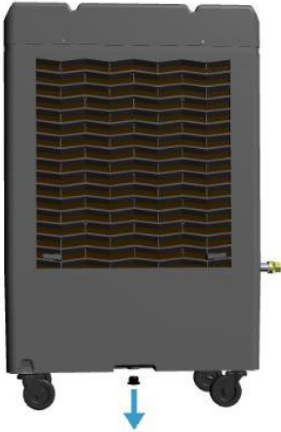
Unscrew the screws in the back panel first, then pull the back panel up.

Pull out the bottom of the back panel then take it down.



## Draining the Cooler Tank

Unscrew drain cap from drain assemble and drain away water. You may tip the unit carefully to the drain side to help drain all the water out.



## Removal and Replacement of Cooling Pad

The cooling pads are made from a special resin impregnated craft paper specially designed for evaporative cooling. They will last many years if maintained properly and water quality is maintained. It is not necessary to remove the pads to clean them.

Inspect the pads for deposits of calcium on the air entering side. If the flute cells are clogged or the pad is very heavy it may be time to change the media. New cooling pad can be purchased where you bought the cooler. Follow these steps for replacing the pads.

1. With access panel removed, simply pull off the pad retainer disc from the pad pin. Older models may have a pushed on pin that will need to be pulled away using pliers to grasp disc and pull away. Be careful not to break the pin although the new pads will come with new pins and disc. The newer models will have a threaded disc that will unscrew from the pin
2. With disc removed, remove the pins from the pads and carefully remove pads from the fixed side mounting frame. Then do the same for the back panel or panels.
3. Cooling pads are made with a 45/45 flute and can be installed either side to the frame. Just make sure the distribution pad that is fixed to the top of the new media pad is at the top. This allows water get onto the top of the pad evenly. The installation of the pads is opposite of the removal, install the pad, insert pins and install the retaining disc.
4. Reinstall the back panel and you are ready to use the cooler again.

## Pump Maintenance and Replacement. (Disconnect power supply before this procedure.)

The submersible pump is mounted inside the tank to the bottom with a retention bracket. While you are cleaning the cooler the pump may be removed and the strainer cap on the bottom of pump can be cleaned of debris. If pump has failed and needs replacing follow these steps:

1. Remove retention bracket.
2. Remove the switch control panel from the top of cooler, by inserting a small screwdriver into the tap slots and pop loose.
3. The pump is connected to the control via the white plastic clip. Disconnect the pump clip and feed the plastic clip through the control box into the cooler.
4. The pump cable is connected to the cooler by twist clips that are mounted in the side of the corner between the left pad and the front of cooler. You may have to remove that pad to get to the clips. Also there may be cable ties holding cable to the motor mounting bracket. Remove the pump from cooler when cable is free.
5. Reinstall the new pump in reverse. Being sure to reconnect the cable in the twist ties and secure the cable in a manner of which it stays clear of fan blade when cooler is running. Reattach the pump clip in the control box and reinstall the control panel in its place. Be sure not to pull any other wires loose from control switches when you have panel loose.
6. Reinstall the control panel into the cabinet making sure it is seated.

## Float Valve Replacement or Adjustment: (Disconnect power supply before this procedure.)

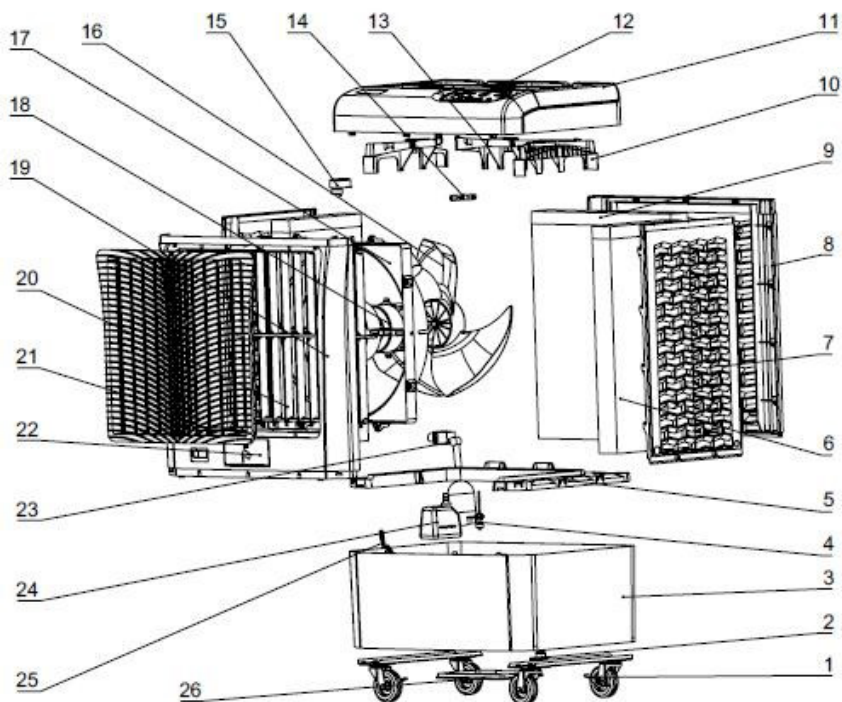
The float valve is mounted to the left side of cooler if you are facing the front grill. It is held in place by the retaining nut that is visible from the outside. The rubber washer is between the nut and cabinet. The rear panel will have to be removed to adjust the float (if the water level is too high or too low) or remove and replace a float that has failed to shut of water supply. Note: Be sure that the PSI of the supply water is within the 50 PSI spec. before determining the float has failed.

1. The float valve can be purchased where you purchased your cooler.
2. Remove any hose adapters attached to the float valve nipple.
3. Remove the rear panel assembly as instructed in Section 5.
4. Remove the float valve retaining nut and rubber washer. Remove float valve from cabinet.
5. Reinstall the float valve in reverse. Set the valve adjustment to around 60 degrees for best results.

## Troubleshooting Guide

PROBLEM	CAUSE / REMEDY
Cooler fails to work at all	Check that the unit is plugged properly.
	Check the POWER switch, push it to "ON".
	The TIMER switch is "OFF", turn it to "ON".
	Make sure cooler is not plugged into a tripped GFCI outlet. If so, reset GFCI or move to non GFCI outlet.
Cooler does not pump	Pump is not activated. Push the PUMP switch to "ON".
	Water level is low. Fill with water and make sure pump is activated.
	Be sure the pump and pump hose is clear of debris.
	Pump may be defective. Replace pump.
Fan does not operate	Check that unit is plugged properly.
	Check the POWER switch, push it to "ON".
	If connected to a GFCI outlet, check if it is tripped.
	Troubleshoot rotary switch.
	Replace motor capacitor.
Louver does not operate	Louver does not move. Louver switch. Position to "ON".
	Check Oscillator motor for proper placement and operation.
Water leakage	Check the cap of the drain assembly, make sure it tightened.
	Inspect tank for cracks or breakage
	Make sure cooler is level.
	Check media pads for buildup allowing water out on outside of pad frame -- change media if needed.
	If water is coming out fan, check for leaks in water distribution hoses and/or leaks at hose connections to spreaders
	Be sure there is at least 4 inches of space for rear panel free from wall or other obstruction. This could make the side panels release water to airstream due to increased air velocity through the sides.
	Spreaders may have scale buildup allowing water to pool and spill over into airstream---Clean spreaders.

## Service Parts Identification Schematic



1	Caster
	Caster WITH Lock
2	Drain Plug
3	Water Tank
4	Water Level Sensor
5	Tank Frame
6	Rigid Media
7	Media Panel
8	Rear Panel
9	Rear Rigid Media
10	Water Distributor
11	Top Cover
12	Control Panel
13	Distributor
14	Water Diverter
15	Oscillator Motor
16	Fan Blade
17	Motor Bracket
18	Motor
19	Front Frame
20	Oscillator Rib
21	Grill
22	Water Filling Door
23	Float Valve
24	Pump
25	Display
26	Bottom Cover

# Warranty Policy

Each new cooler is warranted to be free from defects in material or workmanship for one full year from the date of original purchase. If a component is found to be defective in this one year period, it will be repaired or replaced with a new or refurbished product at the option of the factory.

Should a warranty issue arise, please contact the dealer from whom the fan was purchased. A Return Material Authorization (RMA) number is required for all returns.

What is not covered by the warranty:

1. Malfunctions resulting from misuse, negligence, alteration or lack of necessary maintenance.
2. Loss of time, inconvenience, use of product or other consequential damages due to defects.
3. Return transportation costs. All return transportation costs are the responsibility of the purchaser.

## Damaged Shipments:

We are not responsible for damaged shipments or shortages resulting from carrier mishandling. Notify your carrier's office immediately to file a claim. Keep damaged goods and containers for inspection until advised by the carrier as to disposal.

## Returns:

All items must be returned with all original parts and packaging. Additional charges may apply for any missing or damaged parts.

The customer must re-package and ship their item(s) back to the manufacturer at their own expense.

No freight cost/shipping cost will be re-funded to the customer.

The customer needs to provide us with the tracking number of the shipment.

Upon receipt of the product, including original parts and packaging, we may issue a full refund for the product or may repair or replace the item with a new or refurbished product.

If our returns department finds that the item is not defective, you may be responsible for additional shipping costs as well as a 10-30% re-stocking fee.

## Service

Contact your local L.B. White dealer for replacement parts and service. You may also call the L.B. White Co., LLC at 1-800-345-7200, for assistance, or email us at [customerservice@lbwhite.com](mailto:customerservice@lbwhite.com).

Be sure that you have your heater model number and configuration number when calling.



**WORLD PROVIDER - INNOVATIVE  
CLIMATE SOLUTIONS**

411 Mason Street, Onalaska, WI 54650

800-345-7200 • 608-783-5691

608-783-6115 (fax)

**[www.lbwhite.com](http://www.lbwhite.com)**



PC-31

Refrigerador Portátil

View this manual online at [www.lbwhite.com](http://www.lbwhite.com)

## Attention

No devuelven este tema al lugar de compra a menos que se lo indique Customer Support

Si encuentre cualquier piezas faltantes, sueltos, o descolocados o tiene alguna pregunta por favor llámenos primero. Tenemos las piezas y el apoyo de los expertos que pueden ayudarle. Valoramos su negocio y están aquí para ayudarle y puede enviar cualquier sustitución o de piezas a nosotros para que tu móvil refrigerador se pueda mantener fresco.

[www.lbwhite.com](http://www.lbwhite.com)

Ver instrucciones de montaje en el interior



El enfriamiento por evaporación funciona a través de la absorción de calor por evaporación de la humedad. En pocas palabras, el calor se elimina del aire como el agua se evapora. Usted siente este principio en acción cuando se sale de una piscina de natación o de la ducha y se siente fresca como el agua se evapora de la superficie de la piel. Su enfriador evaporativo funciona de la misma manera. El ventilador extrae el aire exterior caliente a través de las almohadillas de refrigeración húmeda, donde el aire se enfría por evaporación y luego se descarga desde el enfriador.



SCAN THIS

with your smartphone or visit <http://www.lbwhite.com> to view.

\* Requires an app like QR Droid for Android or for iPhone

## TABLE OF CONTENTS

Contenido .....	3
Inspección .....	3
Operating Instructions .....	3
Puntos clave del funcionamiento .....	4
Normas de seguridad .....	5
Configuración y Funcionamiento del enfriador .....	5
Enfriador de llenado o la conexión al suministro de agua .....	6
Conexión a una fuente de alimentación .....	7
Cooler Maintenance .....	8
Enfriador y almohadillas de limpieza .....	8
Extracción del panel posterior .....	9
Vaciar el tanque del enfriador .....	9
Extracción y sustitución de Xel50 medio de refrigeración .....	10
El mantenimiento y reemplazo de la bomba .....	10
Sustitución de la válvula de flotador o ajuste .....	11
Tabla solución rápida .....	12
Garantí de fabricación .....	14





## GENERAL HAZARD WARNING

Utilice todas las precauciones y desconéctelo de la fuente de alimentación antes de realizar cualquier operación de mantenimiento.

## Especificaciones del producto

Suministro De Flujo De Aire Variable	3,100 / 2,400 / 1,850 CFM
Área de Enfriamiento	950 S.F.
Reserva De Agua	10.3 Gallons
Motor	1/5 H.P. 115 V 3 Speed
Dimensiones	38"H x 24"W x 16"D
Peso	45 lbs.

## Contenido

### CONTENDIO

El refrigerador evaporatorio (1)  
La bolsa de tornillería (1)  
Ruedas (4)

### HERRAMIENTAS/MATERIALS:

Taladro con #2 Felipe bit  
OR  
Phillip's destornillador de cabeza

## Inspección

Después de desembalar el refrigerador evaporatorio, inspeccione cuidadosamente por cualquier daño que pueda haber ocurrido durante el tránsito. Inspeccione para flojas, dañadas o faltantes..

## Operating Instructions

La refrigeración por evaporación funciona sobre el principio de la absorción de calor por la evaporación de la humedad. Sencillamente, se extrae el calor del aire cuando el agua se evapora. Se sienta este principio en acción cuando salga de una piscina o ducha y se sienta frío cuando el agua se evapora de la superficie de la piel. Su refrigerador evaporativo funciona según el mismo principio. El ventilador extrae calor del aire exterior a través de las almohadillas de refrigeración húmeda, donde el aire se enfría por evaporación y luego se descarga desde el refrigerador.

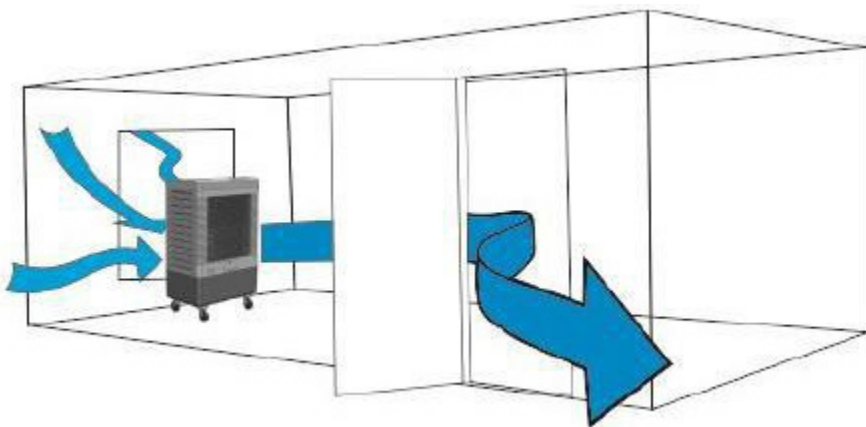
## Puntos clave del funcionamiento

1. El refrigerador debe colocarse delante de una puerta o de una ventana abierta para que funcione de forma eficaz.
2. Asegúrese siempre de que hay otra ventana abierta o puerta por la que el aire se escape de la habitación.
3. Asegúrese de que el filtro se mantiene limpio durante toda la temporada de verano.
4. Al final de cada jornada, ejecute su refrigerador en el ventilador sólo durante 30 minutos para secar el filtro.
5. Antes de poner su refrigerador lejos para el invierno, siempre:
  - a. Vaciar el depósito y limpiar limpia.
  - b. Limpie el filtro
  - c. Volver a montar y ejecutar el ventilador sólo durante 30 minutos para secar el filtro.

### Ubicación! Ubicación! Ubicación!

Habiendo terminado el montaje de su refrigerador, coloque la unidad con su vuelta a una ventana abierta o puerta. Esto permitirá que el aire fresco que se aspira a través del radiador y agotado desde la habitación. Cambio de aire constante es esencial y parte del aire fresco se benefician de enfriamiento de aire por evaporación.

Recuerde que su refrigerador se ha diseñado para funcionar incluso si se ejecuta fuera del agua. No habrá causado daño a la bomba si se agota el enfriador de agua.



## Normas de seguridad

1. Lea y siga todas las instrucciones, precauciones y advertencias. El no hacerlo podría resultar en lesiones personales, muerte o daños a la propiedad.
2. Asegúrese de que la fuente de alimentación eléctrica cumple con el requisito de que el refrigerador evaporatorio(s), así como de códigos locales.
3. Para reducir el riesgo de descarga eléctrica, instale sólo en un circuito protegido con un interruptor de circuito de falla a tierra (GFCI).
4. Para reducir el riesgo de incendio o descarga eléctrica, no exponga las conexiones eléctricas al agua.
5. No toque los componentes eléctricamente activo.
6. Se requiere ventilación adecuada.
7. Asegurarse de que todos los cables de alimentación no entran en contacto con los bordes afilados, superficies calientes o productos químicos. Reemplace inmediatamente las piezas dañadas.
8. La unidad debe estar en la posición de apagado y desenchufado de la toma de corriente antes de realizar cualquier trabajo de mantenimiento.
9. Este aparato no está diseñado para su uso por personas (incluidos los niños) con capacidades físicas, sensoriales o mentales disminuidas, o la falta de experiencia y conocimiento, a menos que sean supervisados o instruidos acerca del uso del aparato por una persona responsable de su seguridad. Los niños deben ser supervisados para asegurar que no jueguen con el aparato.

## Arrancar y Usar el Enfriador



## Configuración y Funcionamiento del enfriador

Los enfriadores son pre-montados y listos para ser operados. Simplemente retire el embalaje y, a continuación, retire con cuidado la unidad de la caja. Instale las ruedas como en el diagrama 3. Bloquear las 2 ruedas de bloqueo antes de llenar y encender el ventilador para mantener el enfriador se traslade desde la velocidad del aire.

**Aviso:** la Media pad tendrá un ligero olor cuando es nuevo. Esto es normal. Se disipará después de un periodo de tiempo dependiendo del uso del enfriador. Vacíe el depósito a menudo durante el periodo de descanso para ayudar la aceleración de este proceso. (Ver VACIADO DE DEPÓSITO en la sección 5)

## Enfriador de llenado o la conexión al suministro de agua

Mueva el radiador a un área donde puede llenarse

### Método de relleno manual

El refrigerador puede ser llenado a través de la manguera de llenado por la puerta delantera o la cuchara. Utilizando el indicador de llenado de agua para monitorear el nivel del agua, simplemente oprima la puerta de llenado y ábrala. Para cerrar, simplemente empújela cerrada hasta que sea bloqueada.

### Conexiones de llenado automático

Conectarse a un suministro de agua con una manguera de jardín o manguito de bobina (suministrado por el cliente), o una línea de agua directa. (Piezas de conexión directa se puede obtener en cualquier ferretería.) Simplemente conecte el adaptador de la manguera (suministrado con el enfriador) a la válvula de flotador pezón que sobresale del enfriador. Verificar conexiones estanca por examinar visualmente la conexión de la manguera

**Precaución:** La presión de entrada de agua debe limitarse a un máximo de 50 PSI. Si la válvula está superado, instalar un reductor de presión (25 PSI) en el pezón en primer lugar. (puede obtenerse en las tiendas de hardware en riego sección.) Manguera sólo necesita ser levemente entreabierto para abastecer de agua a la válvula de flotador y el refrigerador sólo necesita ser aproximadamente la mitad lleno cuando en Configuración de relleno automático. el flotador está ya establecida para ese nivel.

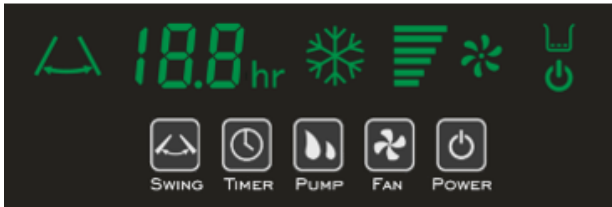


## Conexión a una fuente de alimentación.

Conecte el refrigerador en cualquier fuente de alimentación de 115 voltios. Es permisible usar cables de extensión cuando sea necesario. No se recomienda utilizar un circuito GFCI suelen encontrarse en el garaje o en el patio. Estas salidas/circuitos son sensibles. En caso de que sea la única fuente de alimentación por favor, ser conscientes de esto.



## Usando los interruptores de control



**Botón de oscilación:** presiónelo para operar el motor de oscilación y oscilar el aire de izquierda a derecha.

**El botón del temporizador se enciende cuando se activa:** presione para seleccionar la selección del temporizador deseada, el enfriador dejará de ejecutar todas las funciones cuando expire el tiempo seleccionado.

**Botón de bomba:** la bomba funcionará continuamente cuando se encienda esta luz.

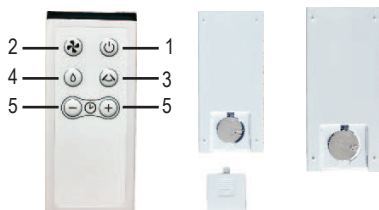
**Botón de ventilador:** ventilador encendido / apagado

**Botón de encendido:** si se enciende la luz verde, todas las funciones podrán funcionar. Luz roja, todas las funciones de control estarán apagadas. Control de potencia principal. Cuando se conecta la alimentación a la posición "APAGADO", los otros controles no funcionarán

## Control remoto

### Las funciones de control remoto:

- 1) Poder
- 2) Velocidad del ventilador
- 3) Swing
- 4) Bomba
- 5) Temporizador



Para reemplazar la batería, deslice el panel posterior del control remoto hacia abajo para liberarlo. Retire la batería vieja y reemplácela con una batería redonda CR 2025.

## Cooler Maintenance

### **⚠ ADVERTENCIA**

El mantenimiento del refrigerador (no extraiga el panel posterior con refrigerador girando)

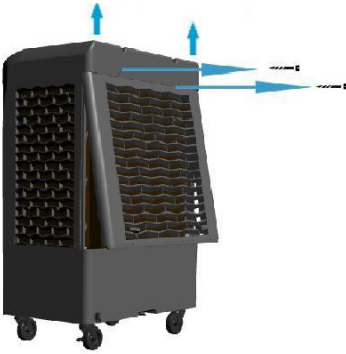
Para un mejor funcionamiento y larga vida útil el siguiente mantenimiento y deben seguirse los procedimientos de limpieza

## Enfriador y almohadillas de limpieza

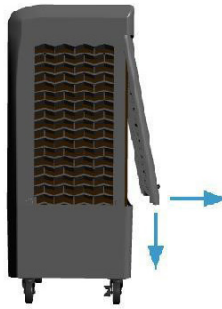
AA intervalos regulares su Mobil refrigerador debe estar apagado y desconectado de la fuente de alimentación . El tanque de agua debe ser drenado de agua sucia y se rocía con agua fresca y rellenado. Cuanto más lo haga, mejor será el trabajo y menos calcio desarrollará en los electrodos u otras superficies. Usted podrá usar el spray a través de las almohadillas de refrigeración para lavarlos y permitir que el agua en el tanque de depósito que se drena. El panel extraíble y media pad puede ser rociado sobre la tierra para limpiar la almohadilla. Use una ligera presión cuando se pulveriza pastillas. nunca pastillas de pulverización con agua enfriador mientras está en funcionamiento y el ventilador está en marcha. Esto puede causar daños al motor y anulará la garanti.

## Extracción del panel posterior (desconecte la fuente de alimentación antes de este procedimiento).

Desenrosque los tornillos en la parte superior del panel posterior (3). Levante el panel hacia arriba y tire hacia afuera en la parte inferior. A continuación, deslizar el panel fuera del gabinete. Ahora usted tendrá acceso a la bomba, válvula de flotador y esparcidores de distribuidor de agua.



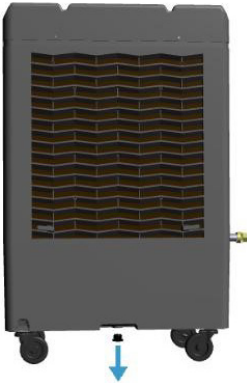
Unscrew the screws in the back panel first, then pull the back panel up.



Pull out the bottom of the back panel then take it down.

## Vaciar el tanque del enfriador

Unscrew drain cap from drain assemble and drain away water. You may tip the unit carefully to the drain side to help drain all the water out.



## Extracción y sustitución de Xel50 medio de refrigeración

Las almohadillas de refrigeración están hechos de una resina especial impregnada papel artesanal especialmente diseñado para la refrigeración por evaporación. Que va a durar muchos años si se mantienen adecuadamente y se mantiene la calidad del agua. No es necesario quitar las almohadillas para limpiarlos.

Inspeccione los patines para depósitos de calcio sobre la entrada de aire lateral. Si la flauta las celdas están sucias o el pad es muy pesado, puede ser el momento de cambiar el soporte. Nueva OEM Xel50 media puede adquirirse donde usted compró el refrigerador. Siga estos pasos para sustituir las pastillas.

1. Con el panel de acceso quitado, simplemente saque la almohadilla de la almohadilla de disco retenedor de pasador. Los modelos más antiguos pueden tener una empujada en la clavija que será necesario tirar utilizando una pinza

- para agarrar el disco y tirar. Tenga cuidado de no romper la patilla aunque las pastillas nuevas vienen con pasadores nuevos y disco. Los nuevos modelos tendrán un disco roscado que se desenrosque del pasador
2. Con disco quitado, quitar los pasadores de las pastillas y retirar cuidadosamente pads desde el lado fijo del bastidor de montaje. Haga lo mismo para el panel posterior o paneles.
  3. almohadillas están hechas con una flauta de 45/45 y se puede instalar a ambos lados del bastidor. Sólo asegúrese de que la almohadilla de distribución que se fija a la parte superior de la nueva media pad está en la parte superior. Esto permite que el agua caiga en la parte superior de la almohadilla de manera uniforme. La instalación de las pastillas es el contrario de la extracción, coloque la almohadilla, inserte pasadores e instalar el disco de retención. Estás hecho... es muy fácil.
  4. Vuelva a instalar el panel posterior y usted está listo para utilizar el refrigerador de nuevo

## El mantenimiento y reemplazo de la bomba (desconectar la fuente de alimentación antes de este procedimiento)

La bomba sumergible está montado en el interior del depósito al fondo con un soporte de retención. Mientras se están limpiando el enfriador de la bomba puede ser quitado y la tapa del tamiz en la parte inferior de la bomba puede ser limpiado de escombros. Si la bomba ha fallado y necesita reemplazo siga estos pasos:

1. Retire el soporte de retención.
2. Extraiga el panel de control del interruptor de la parte superior del refrigerador, insertando un destornillador pequeño en las ranuras de grifo y se sueltan.
3. La bomba está conectada al control mediante el clip de plástico blanco. Desconectar la abrazadera de la bomba de alimentación y el clip de plástico a través de la caja de control en el refrigerador.
4. La bomba está conectada por cable al enfriador por torcer los clips que están montados en el lado de la esquina entre la almohadilla y la izquierda delantera del refrigerador. Puede que tenga que retirar dicho pad para llegar a los clips. También puede haber retenciones de cable a cable sujetando el soporte del motor. Quitar la bomba del enfriador cuando el cable esté libre.
5. Vuelva a instalar la bomba nueva en retroceso. Asegúrese de conectar el cable en el twist ties y fije el cable en una manera de la cual se mantiene alejado de las aspas del ventilador enfriador cuando está funcionando. Vuelva a colocar la abrazadera de la bomba en la caja de control y vuelva a instalar el panel de control en su lugar. Asegúrese de no tirar de otros cables sueltos de interruptores de control cuando tiene instrumentos sueltos.
6. Vuelva a instalar el panel de control en el interior del armario, asegurándose de que esté sentado. Y ¡listo !

## Sustitución de la válvula de flotador o ajuste: (desconectar la fuente de alimentación antes de este procedimiento)

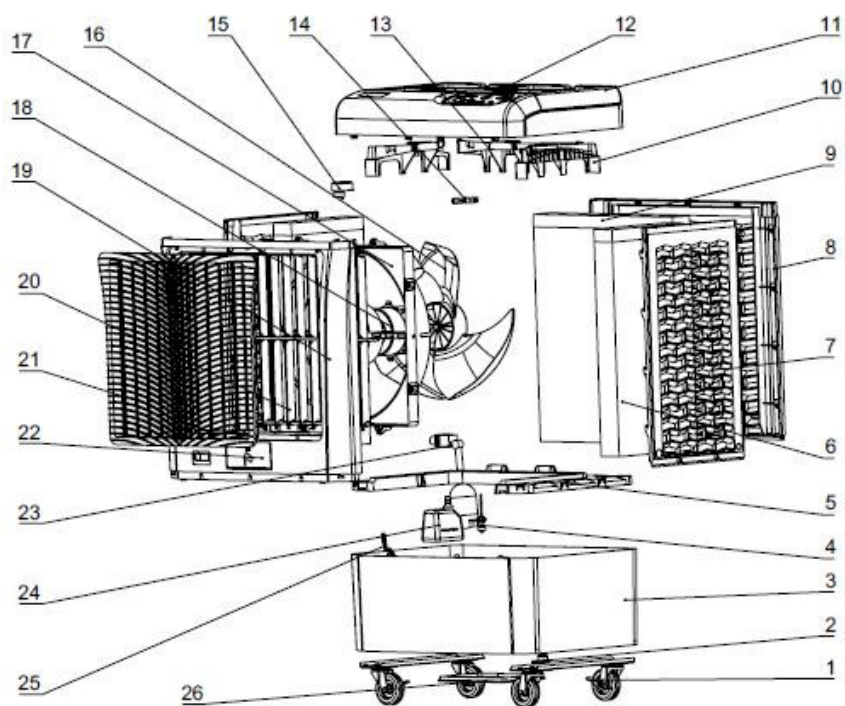
La válvula de flotación está montada en el lado izquierdo del radiador si usted está mirando hacia la parte delantera de la parrilla. Se mantiene en su lugar por medio de la tuerca de retención que es visible desde el exterior. La arandela de goma entre la tuerca y el gabinete. El panel trasero se tendrá que quitar para ajustar la flotación (si el nivel del agua es demasiado alta o demasiado baja) o quitar y reemplazar un flotador que tiene falla para apagar el suministro de agua. Nota: Asegúrese de que el PSI del abastecimiento de agua se encuentra dentro de los 50 PSI spec. Antes de determinar el flotador ha fallado.

1. La válvula de flotador puede adquirirse donde adquirió su refrigerador.
2. Quite cualquier los adaptadores de la manguera conectada a la válvula de flotador del pezón.
3. Retire el conjunto del panel trasero como se indica en la Sección 5
4. Quite la tuerca de retención de la válvula de flotación y la arandela de goma. y quitar la válvula de flotador de gabinete
5. Vuelva a instalar la válvula de flotación en sentido inverso. Establezca el ajuste de la válvula de alrededor de 60 grados para obtener mejores resultados.



## Tabla solución rápida

PROBLEMA	CAUSA/SOLUCIÓN
Enfriador no funciona en absoluto	Compruebe que la unidad está conectada correctamente
	Compruebe el interruptor de encendido, presione "ON"
	El interruptor del temporizador está en "OFF", gírela a la posición "ON"
	Asegurarse que el enfriador no está enchufado a un tomacorriente GFIC inactivo. Si es así restablecer el GFIC o mover a la no salida GFIC
Bomba de frío no	La bomba no está activado. Empuje el interruptor de la bomba a la posición "ON"
	El nivel de agua es bajo. Llène con agua y asegúrese de que la bomba está activado
	Asegúrese de que la manguera de la bomba y de la bomba está libre de residuos
	La bomba puede estar defectuoso. Sustituir la bomba.
El ventilador no funciona	Compruebe que la unidad está enchufada correctamente
	Compruebe el interruptor de encendido, presione "ON"
	Si se conecta a una salida GFIC, compruebe si está activado
	Solucionar interruptor giratorio
	Sustituir el condensador del motor
La persiana no funciona	rejilla no se mueva. Interruptor de la persiana. Posición de "ON"
	Comprobar el oscilador del motor para la colocación adecuada y funcionamiento
Fugas de agua	Comprobar el tapón del drenaje general, asegúrese de que aprieta
	inspeccionar el depósito en busca de grietas o roturas
	Asegúrese de que el refrigerador es el nivel
	Comprobar los materiales de las pastillas para permitir la acumulación de agua en el exterior de la almohadilla -- cambiar el bastidor de soporte si es necesario
	Si el agua sale del ventilador, compruebe si hay fugas en las mangueras de distribución de agua y/o fugas en las conexiones de manguera para esparcidores,
	Asegúrese de que hay al menos 4 cm de espacio libre para el panel trasero de la pared u otra obstrucción. Esto podría hacer que los paneles laterales para liberar agua airstream debido al aumento de la velocidad del aire a través de los lados
	esparcidores puede haber acumulación de escala que permite que el agua de la piscina y se extienden a airstream---Limpiar esparcidores.



1	Castor
	Caster con cerradura
2	Tapón de drenaje
3	Tanque de agua
4	Sensor de nivel de agua
5	Soporte de tanque
6	Filtro de enfriamiento
7	Panel de filtro lateral
8	Panel trasero
9	Filtro de enfriamiento trasero
10	Distribuidor de agua
11	Cubierta superior
12	Panel de interruptores
13	Distribuidor de agua Trasero
14	Derivador de agua
15	Motor oscilador
16	Las aspas del ventilador
17	Support du moteur
18	Motor eléctrico
19	Bastidor delantero
20	Costilla de oscilador
21	Delantero
22	Puerta de llenado de agua
23	Válvula de flotador
24	Bomba
25	Pantalla de nivel de agua
26	Cubierta inferior

## Garantía de fabricación

Cada nuevo refrigerador está garantizado contra defectos en los materiales o mano de obra durante un año completo a partir de la fecha de compra original. Si un componente está defectuoso en este período de un año, será reparado o sustituido por un producto nuevo o restaurado en la opción de la fábrica.

Debe surgir un problema con la garantía, comuníquese con el distribuidor al que adquirió el ventilador. Una Autorización de Devolución de Material (RMA) número es necesario para todas las devoluciones.

Lo que no está cubierto por la garantía:

1. Anomalías resultantes del mal uso, negligencia, alteración o falta de mantenimiento.
2. La pérdida de tiempo, molestias, uso de producto o de otros daños indirectos debido a defectos.
3. Los costos de transporte de retorno. Volver todos los costos de transporte son responsabilidad del comprador.

### Envíos dañados:

No somos responsable de envíos dañados o insuficiencias derivadas de la malversación de portadora. Notifique a su portador de la oficina inmediatamente para presentar una reclamación. Mantener los bienes dañados y contenedores para la inspección hasta aconsejado por el transportista como a disposición.

### Devuelve:

Todos los artículos deben ser devueltos con todas las piezas originales y el embalaje. Se pueden aplicar cargos adicionales por cualquier piezas dañadas o faltantes.

El cliente debe volver a empaquetar y enviar su artículo(s) de vuelta al fabricante a sus expensas.

No hay gastos de flete/costo de envío será financiado para el cliente.

Es necesario que el cliente nos proporcione el número de seguimiento del envío.

Tras la recepción del producto, incluyendo embalaje y piezas originales, podemos emitir un reembolso completo para el producto o puede reparar o sustituir el elemento con un producto nuevo o restaurado.

Si nuestro departamento de devoluciones considera que el tema no es defectuoso, usted puede ser responsable por los gastos de envío adicionales así como un 10-30% de tasa de repoblación.



**WORLD PROVIDER - INNOVATIVE  
CLIMATE SOLUTIONS**

411 Mason Street, Onalaska, WI 54650

800-345-7200 • 608-783-5691

608-783-6115 (fax)

**[www.lbwhite.com](http://www.lbwhite.com)**



# PC-31

## Refroidisseur par évaporation

View this manual online at [www.lbwhite.com](http://www.lbwhite.com)

### Arrêter

Ne pas renvoyer cet élément à l'endroit de l'achat sauf si vous y êtes invité par le support client. Si vous devez trouver toutes les pièces manquantes, les lâches, ou éléments délogés, avez des questions, veuillez nous appeler en premier. Nous avons des pièces et soutien d'expert qui peuvent vous aider. Nous apprécions votre entreprise et sont là pour vous aider et peuvent expédier tout remplacement ou de pièces sous garantie pour vous rapidement pour votre refroidisseur mobile.

[www.lbwhite.com](http://www.lbwhite.com)



Le refroidissement par évaporation fonctionne sur le principe de l'absorption de chaleur par évaporation de l'humidité. Autrement dit, la chaleur est extraite de l'air que l'eau soit évaporée. Vous vous sentez ce principe en action lorsque vous sortez d'une piscine ou d'une douche et se sentir fraîche que l'eau évaporée de la surface de votre peau. Le refroidisseur par évaporation fonctionne sur le même principe. Le ventilateur aspire l'air chaud à l'extérieur à travers les plaquettes de refroidissement par voie humide, où l'air est refroidi par évaporation, puis évacué du refroidisseur.

LISEZ LES DIRECTIVES  
D'ASSEMBLAGE  
À L'INTÉRIEUR



NUMÉRISEZ CECI

[www.lbwhite.com](http://www.lbwhite.com)  
pour visionner les vidéos  
d'entretien des appareils  
de chauffage de L.B.White.

\* Requier une application comme  
QR Droit pour Android ou iPhone

## TABLE DES MATIÈRES

Table des matières .....	3
Inspection .....	3
Mode d'emploi .....	3
Points opérationnels clés.....	4
Règles de sécurité.....	5
Configuration et fonctionnement du refroidisseur.....	5
Connexion à une alimentation.....	6
Entretien du refroidisseur .....	7
Nettoyage de la glacière et des tampons .....	8
Retrait du panneau arrière.....	8
Vidange du réservoir de refroidissement.....	9
Retrait et remplacement du fluide de refroidissement.....	9
Entretien et remplacement de la pompe.....	10
Remplacement ou ajustement de la soupape à flotteur .....	10
Guide de dépannage.....	11
Politique de garantie.....	14



## AVERTISSEMENT GÉNÉRAL DE DANGER

UTILISER TOUTES LES PRÉCAUTIONS ET LES DÉBRANCHER DE LA SOURCE D'ALIMENTATION AVANT D'EFFECTUER TOUTE OPÉRATION DE MAINTENANCE.

## Spécifications du produit

Débit D'air Variable	3,100 / 2,400 / 1,850 CFM
Zone De Refroidissement	950 S.F.
Réservoir D'eau	10.3 Gallons
Moteur	1/5 H.P. 115 V 3 Speed
Dimensions	38"H x 24"W x 16"D
Poids	45 lbs.

## Contenu

### Contenu

Ur par évaporation (1)  
 Le sachet contenant la boulonnerie (1)  
 Roulettes (4)

### Outils / Matériel Requis :

Percer avec #2 Phillip's bit  
 OR  
 Phillips Head tournevis

## Inspection

Après avoir déballé votre glacière évaporative, inspectez soigneusement les dommages survenus pendant le transport. Inspecter l'absence de pièce desserrée, manquante ou endommagée.

## Instructions de fonctionnement

Refroidissement évaporatif fonctionne sur le principe d'absorption de chaleur par l'évaporation de l'humidité. En termes simples, la chaleur est retiré de l'air que l'eau s'évapore. Vous vous sentez ce principe en action lorsque vous sortez de la piscine ou de la douche et rafraîchit comme l'eau s'évapore de la surface de votre peau. votre glacière évaporative fonctionne sur le même principe. Le ventilateur aspire l'air extérieur par les chaud humide plaquettes de refroidissement, où l'air est refroidi par évaporation et alors déchargé refroidisseur.

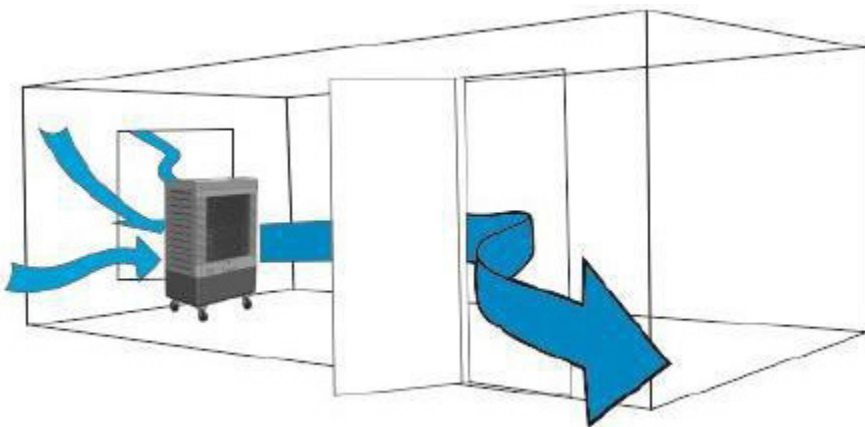
## Les points opérationnels clés :

1. Votre refroidisseur doit être placé devant une fenêtre ouverte ou une porte pour fonctionner efficacement.
2. Toujours s'assurer qu'il y a une autre fenêtre ouverte ou porte par laquelle l'air peut épuiser depuis la chambre.
3. S'assurer que le filtre est propre tout au long de la saison estivale.
4. À la fin de chaque journée d'exécuter votre refroidisseur sur ventilateur uniquement pendant 30 minutes pour sécher le filtre.
5. Avant de mettre votre glacière loin pour l'hiver, toujours:
  - a. Vidanger le réservoir et essuyez-le propre.
  - b. Nettoyer le filtre
  - c. Réassembler et exécutez sur ventilateur uniquement pendant 30 minutes pour sécher le filtre.

### Emplacement ! Emplacement ! Emplacement !

Après avoir terminé l'assemblage de votre refroidisseur, positionner le boîtier avec le dos d'une fenêtre ouverte ou une porte. Cela permettra à l'air frais de circuler à travers le refroidisseur et épuisé par la chambre. Il est essentiel de changement constant d'air et une partie de la prestation d'air frais de refroidissement par air par évaporation.

N'oubliez pas votre refroidisseur a été conçue pour fonctionner même s'il est à court d'eau. Aucun dommage ne sera causé à la pompe si le refroidisseur fonctionne hors de l'eau.





## Règles de sécurité

1. Lire et suivre toutes les instructions, mises en garde et avertissements. L'omission de le faire pourrait entraîner des blessures, la mort ou des dommages matériels.
2. Assurez-vous que la source d'alimentation électrique est conforme à l'exigence de l'évaporatif le(s) refroidisseur(s) ainsi que les codes locaux.
3. Pour réduire le risque de choc électrique, installez uniquement sur un circuit protégé par un disjoncteur de fuite à la terre).
4. Pour réduire le risque d'incendie ou de choc électrique, n'exposez pas les connexions électriques à l'eau.
5. Ne touchez pas les composants électriques sous tension.
6. Une ventilation adéquate est requise.
7. S'assurer que tous les cordons d'alimentation n'entrent pas en contact avec les bords coupants, des surfaces chaudes ou de produits chimiques. Remplacer immédiatement les pièces endommagées.
8. L'appareil doit se trouver en position d'arrêt et débranchez-le de la prise d'alimentation avant d'effectuer toute opération de maintenance.
9. Cet appareil n'est pas destiné à être utilisé par des personnes (notamment des enfants) avec toutes leurs capacités physiques, sensorielles ou mentales, ou le manque d'expérience ou de connaissances, à moins qu'ils ont été surveillé ou instruction concernant l'utilisation de l'appareil par une personne responsable de leur sécurité. Les enfants doivent être surveillé afin de s'assurer qu'ils ne jouent pas avec l'appareil.

## Mise en route et utilisation du refroidisseur



Refrigerateurs sont pré-assemblé et prêt à L'exploitation. Il suffit de retirer l'emballage puis retirez soigneusement l'unité de sa boîte. Installer les roulettes comme dans le diagramme 3. Verrouiller le 2 roues de verrouillage avant de remplir et d'allumer le ventilateur pour garder le refroidisseur du passage de la vitesse de l'air.

**Avis:** la média aura une odeur légère lorsqu'il est neuf. Ce phénomène est normal. Il va se dissiper après une période de temps en fonction de l'utilisation du temps. Vidange du réservoir souvent pendant la période de rodage aidera à accélérer ce processus. (Voir Vidange de réservoir dans la section 5)

## Remplissage du refroidisseur ou raccordement à l'alimentation en eau

Déplacez la glacière dans une zone où elle peut être remplie

### Méthode de remplissage manuel

Le refroidisseur peut être rempli via la porte de remplissage avant par un tuyau ou un seau. En utilisant l'indicateur de remplissage d'eau pour surveiller le niveau d'eau, appuyez simplement sur la porte de remplissage et le verrou à ressort se libérera et l'ouvrira. Pour fermer, il suffit de le pousser fermé et verrouillé.

### Connexions de remplissage automatique

Connectez-vous à une alimentation en eau à l'aide d'un tuyau d'arrosage ou d'un serpentín (fourni par le client), ou ligne. (Les pièces de connexion directe peuvent être obtenues dans n'importe quelle quincaillerie.) Fixez simplement l'adaptateur de tuyau (fourni avec le refroidisseur) au raccord de soupape à flotteur dépassant du refroidisseur. Vérifiez les connexions étanches à l'eau en examen visuel du raccordement du tuyau

**ATTENTION:** Pression d'entrée d'eau doit être limitée à un maximum de 50 PSI. Si la soupape est surmontée, installer un réducteur de pression (25 psi) sur le raccord en premier. (Il peut être obtenue dans les quincailleries dans l'irrigation section.) Flexible du BIB doit seulement être fissuré légèrement ouverte pour assurer l'approvisionnement en eau de la soupape à flotteur et le refroidisseur ne doit être remplie lorsqu'environ la moitié à remplir auto configuration. Le flotteur est déjà réglé à ce niveau.



## Connexion à une source d'alimentation

Branchez le refroidisseur dans n'importe quel bloc d'alimentation 115 volts. Il est permis d'utiliser des rallonges électriques lorsque nécessaire. Il n'est pas recommandé d'utiliser un circuit GFCI se trouve habituellement dans un garage ou un patio. Ces points de vente/circuits sont sensibles et peut Voyage vers le refroidisseur par inadvertnance en fonctionnement normal. Cela devrait être la seule source d'alimentation veuillez être conscient de cette situation et si le le GFCI se déclenche simplement le réinitialiser



## Utilisation des interrupteurs de commande



**Bouton d'oscillation** - Appuyez pour actionner le moteur d'oscillation pour balancer l'air de gauche à droite.

**Bouton de minuterie allumé lorsqu'il est engagé** - Appuyez pour sélectionner la sélection de minuterie souhaitée, le refroidisseur cessera de fonctionner toutes les fonctions lorsque le temps sélectionné expire.

**Bouton de pompe** - La pompe fonctionnera en continu lorsque ce voyant est allumé.

**Bouton du ventilateur** - ON / OFF du ventilateur

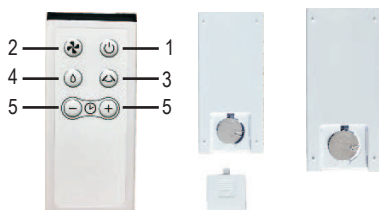
**Bouton d'alimentation** - Si le voyant est vert, toutes les fonctions pourront fonctionner. Lumière rouge, toutes les fonctions de contrôle seront désactivées.

Contrôle de l'alimentation principale. Lorsque l'alimentation est mise en position «OFF», les autres commandes ne fonctionnent pas.

## Télécommande

### Les fonctions de la télécommande:

- 1) Puissance
- 2) Vitesse du ventilateur
- 3) Balançoire
- 4) Pompe
- 5) Minuterie



Pour remplacer la pile, faites glisser le panneau arrière de la télécommande vers le bas pour la libérer. Retirez l'ancienne pile et remplacez-la par une pile ronde CR 2025.



**ATTENTION**

DO NOT remove back panel with cooler running.

## Le refroidisseur d'entretien

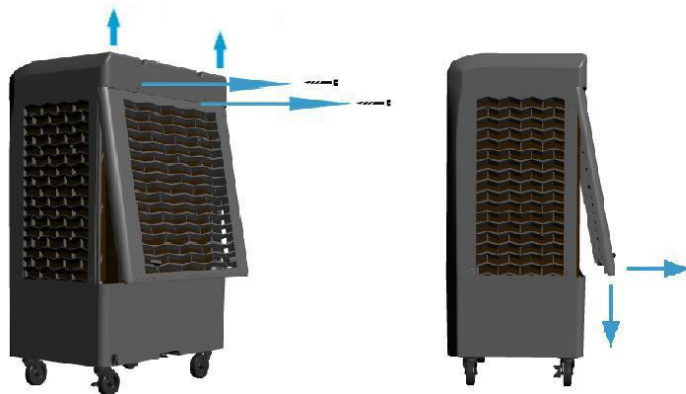
Pour obtenir le meilleur fonctionnement et longue durée de vie utile des procédures de nettoyage et de maintenance suivantes devraient être suivies.

## Nettoyage Refroidisseur et patins

À intervalles réguliers votre Mobil refroidisseur doit être arrêté et débranché de la source d'alimentation. Le réservoir d'eau doit être vidangé de l'eau sale et pulvérisés avec de l'eau douce et rechargées. Plus vous le mieux il travaillera et moins de calcium élaborera sur patins ou d'autres surfaces. Vous pouvez vaporiser par le refroidissement des plaquettes de les laver et de permettre à l'eau pour dépôt dans le réservoir d'être évacuée. Le panneau amovible et médias pad peut être pulvérisée sur le terrain pour nettoyer pad. Utilisation légère pression lors de la pulvérisation de plaquettes. Ne vaporisez jamais de pads avec de l'eau tandis que le refroidisseur est en marche et le ventilateur est en marche. Cela peut causer des dommages au moteur et annulera la garantie.

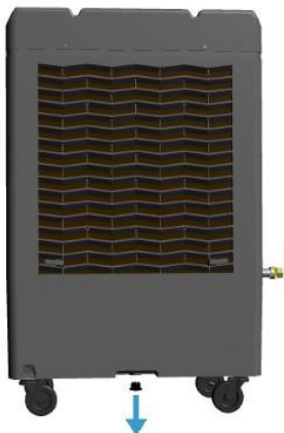
## Dépose du panneau arrière (Débrancher l'alimentation avant cette procédure.)

Dévisser la vis en haut du panneau arrière (3). Soulevez le panneau jusqu'et tirez vers le bas. Puis faites glisser le panneau hors de l'armoire. Vous aurez désormais accès à la pompe, vanne de flottement et de l'eau distributer épandeurs.



## Vidange du réservoir du refroidisseur

Dévisser le bouchon de vidange du drain de l'assembler et vidanger l'eau. Vous pouvez basculer l'unité avec précaution pour le côté vidange pour aider à évacuer toute l'eau.



## Dépose et remplacement du Xel médias. de refroidissement 50

Les plaquettes de refroidissement sont fabriqués à partir d'une résine spéciale imprégné du papier artisanal spécialement conçus pour le refroidissement par évaporation. Ils dureront de nombreuses années si bien entretenus et la qualité de l'eau est maintenue. Il n'est pas nécessaire de retirer les patins pour les nettoyer.

Inspecter les patins pour les dépôts de calcium sur l'entrée d'air côté. Si la flûte de cellules sont colmatées ou le pad est très forte, il peut être temps de changer les médias. Nouveaux supports peuvent Xel OEM50 être acheté où vous avez acheté le refroidisseur. Suivez ces étapes pour remplacer les plaquettes.

1. Avec panneau d'accès retiré, il suffit de le tirer hors du dispositif de retenue du tampon de disque du pad pin. Les anciens modèles peuvent avoir une poussée sur la broche qui devra être retiré à l'aide d'une pince à saisir le disque et s'éloigner. Faire attention à ne pas casser la borne bien que les nouveaux patins vont venir avec les axes neufs et disque. Les nouveaux modèles auront un disque fileté qui permettront de dévisser de la broche
2. Avec le disque retiré, retirez les broches des plaquettes et la déposer avec précaution plaquettes de bâti de montage côté fixe. Puis faire de même pour le panneau arrière ou panneaux.
3. Xel50 tampons sont faits avec une flûte de 45/45 et peut être installé de chaque côté de la trame. Assurez-vous juste que le tampon de distribution qui est fixé à la partie supérieure de la nappe des nouveaux médias est en haut. Cela permet à l'eau monter sur le haut du pavé uniformément. L' installation de plaquettes est en face de la dépose, installer le patin, insérez les broches et installer le disque de retenue. Vous avez terminé... c'est aussi simple que cela.
4. Réinstallez le panneau arrière et que vous êtes prêt à utiliser le nouveau refroidisseur.

## Entretien et remplacement de la pompe. (Débrancher l'alimentation avant cette procédure.)

La pompe submersible est montée à l'intérieur du réservoir au fond avec un support de fixation. Lorsque vous nettoyez le refroidisseur peut être enlevée de la pompe et le bouchon de la crépine sur le fond de la pompe peut être débarrassées des débris. Si la pompe est défectueux et doit être remplacé suivre ces étapes :

1. Déposer le support de rétention.
2. Déposer le commutateur du panneau de commande à partir du haut du refroidisseur, en insérant un petit tournevis dans le robinet et desserrés. de pop slots
3. La pompe est connectée à la commande via le clip en plastique blanc. Déconnectez la pompe et alimentent le clip en plastique au moyen du boîtier de commande, clip dans le refroidisseur.
4. Le câble de la pompe est relié au refroidisseur par twist clips qui sont montés sur le côté de l'angle entre le pad gauche et l'avant du refroidisseur. Il se peut que vous ayez à retirer ce pad pour obtenir les clips. Il peut également s'agir d'attaches de câble maintenant le câble au support de montage du moteur. Déposer la pompe du refroidisseur lorsque le câble est libre.
5. Réinstaller la nouvelle pompe en marche arrière. Veillez à reconnecter le câble dans les attaches et fixer le câble dans une manière dont il reste clair de la pale de ventilateur quand le refroidisseur est en marche. Refixer le clip de la pompe dans la boîte de commande et réinstallez le panneau de commande à la place. Veillez à ne pas tirer les autres fils desserrés de commutateurs de commande lorsque vous avez de bord desserrés.
6. Réinstallez le panneau de commande dans l'armoire en vous assurant qu'il est assis. Et vous avez terminé!

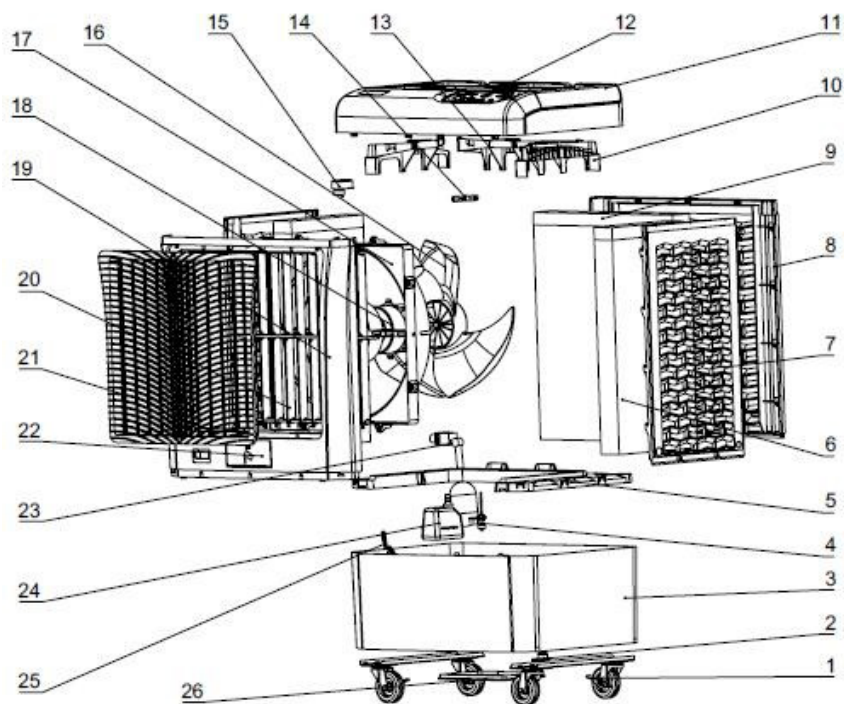
## Remplacement de soupape de flottement ou de réglage: (Débrancher l'alimentation avant cette procédure.)

Le clapet est monté sur le côté gauche du refroidisseur si vous êtes confrontés à la calandre avant. Il est maintenu en place par l'écrou de fixation qui est visible de l'extérieur. La rondelle en caoutchouc est entre l'écrou et le cabinet. Le panneau arrière devra être déposé pour régler le flottement (si le niveau d'eau est trop élevée ou trop faible) ou de retirer et de remplacer un flotteur qui a failed à arrêter l'approvisionnement en eau. Remarque : assurez-vous que le PSI de l'approvisionnement d'eau est dans les 50 PSI spec. Avant de déterminer le flotteur a échoué.

1. La soupape de flottement peut être acheté lorsque vous avez acheté votre glacière.
2. Retirez tout les adaptateurs de flexible relié à la soupape de flottement de mamelon.
3. Retirez l'assemblage du panneau arrière comme indiqué à la Section 5
4. Déposer l'écrou de retenue de soupape de flottement et la rondelle en caoutchouc. Soupape de flottement et retirer du cabinet
5. Réinstaller la vanne de flottement en marche arrière. Définir le réglage de la soupape d'environ 60 degrés pour de meilleurs résultats.

## Tableau de dépannage rapide

PROBLÈME	CAUSE / RECOURS
Le refroidisseur ne fonctionne pas du tout	Vérifier que l'appareil est branché correctement
	Contrôle de l'interrupteur d'alimentation, poussez-le sur "ON"
	Le commutateur de minuteur est "OFF" (arrêt), tournez-le sur "ON"
	Assurez-vous que le refroidisseur n'est pas branché sur une prise GFIC
Le refroidisseur ne pompe	La pompe n'est pas activée. Pousser le commutateur de la pompe sur "ON"
	Le niveau de l'eau est faible. Remplir avec de l'eau et assurez-vous que la pompe est activée
	2.3 Assurez-vous que le flexible de la pompe et de la pompe est exempt de débris
	La pompe est peut-être défectueuse. Remplacer la pompe.
Le ventilateur ne fonctionne pas	Vérifier que l'appareil est branché correctement
	Vérification de l'interrupteur d'alimentation, poussez-le sur "ON"
	Si connecté à une sortie GFIC, vérifier s'il est déclenché
	dépanner l'interrupteur rotatif
	Remplacer le condensateur de moteur
Ailette ne fonctionne pas	ailette ne bouge pas. Contacteur d'aération. La position "ON"
	Vérifier moteur d'oscillateur pour le placement correct et l'opération
Fuite d'eau	Contrôler le cap de l'assemblage de vidange, assurez-vous qu'il serrées
	2 Inspection pour détecter la présence de fissures du réservoir ou d'une casse
	Assurez-vous que le refroidisseur est de niveau
	Vérifier l'accumulation des plaquettes de média permettant l'eau à l'extérieur de pad frame -- Modifier le support si nécessaire.
	Si l'eau est entrée le ventilateur, vérifier l'absence de fuites au niveau des flexibles de distribution d'eau et/ou de fuites au niveau des raccords de flexibles d'épandeurs,
	Assurez-vous qu'il y ait au moins 4 pouces d'espace pour panneau arrière libre de mur ou autre obstruction. Cela pourrait rendre les panneaux latéraux libérer de l'eau pour Airstream en raison de l'augmentation de la vitesse de l'air par les côtés.
	épandeurs peut avoir accumulation d'échelle permettant à l'eau de piscine et déborder dans airstream.-Clean épandeurs.





1	La roulette-guide
	Caster avec serrure
2	Bouchon de vidange
3	un réservoir d'eau
4	Capteur de niveau d'eau
5	Le support du réservoir
6	Filtre de refroidissement
7	Panneau de filtre latéral
8	Panneau arrière
9	Filtre de refroidissement arrière
10	Distributeur d'eau
11	Capot supérieur
12	Panneau du contacteur
13	Distributeur d'eau arrière
14	Dérivation de l'eau
15	Moteur d'oscillateur
16	Pale de ventilateur
17	Support du moteur
18	Moteur électrique
19	Châssis avant
20	Costilla de oscilador
21	Calandre avant
22	Trappe de remplissage d'eau
23	Soupape de flottement
24	pompe à eau
25	Affichage du niveau d'eau
26	Couvercle inférieur

## Garantie de fabrication

Chaque nouveau refroidisseur est garanti d'être exempt de tout défaut matériel ou de fabrication pendant une année complète à partir de la date originale d'achat. Si un composant est défectueux, en cette période d'un an, il sera réparé ou remplacé par un produit neuf ou reconditionné au choix de l'usine.

Si un problème de garantie survient, contactez le revendeur auprès de qui le ventilateur a été acheté.

Une autorisation de retour de matériel (RMA) est exigée pour tous les retours.

### Ce qui n'est pas couvert par la garantie :

1. Les dysfonctionnements résultant d'abus, de négligence, d'altération ou de l'absence de maintenance nécessaire.
2. Perte de temps, d'une complication de l'utilisation de produits ou d'autres dommages indirects dus à des défauts.
3. Les frais du voyage de retour. Tous les frais du voyage de retour sont à la charge de l'acheteur.

### Les expéditions endommagées :

Le fabricant n'est pas responsable pour les envois endommagés ou pénuries résultant de transporteur à une manipulation inadéquate. Avertissez votre bureau du transporteur immédiatement à déposer une réclamation. Garder les marchandises endommagées et les contenants pour l'inspection jusqu'à avis par le transporteur quant à l'élimination.

### Renvoie :

Tous les articles doivent être retournés avec toutes les pièces d'origine et l'emballage. Des frais supplémentaires peuvent s'appliquer pour les pièces manquantes ou endommagées.

Le client doit ré-emballage et d'expédition de leur(s) article(s) au fabricant, à ses propres frais.

Aucun frais de transport/coût d'expédition sera re-financé au client.

Le client a besoin de nous fournir le numéro de suivi de l'expédition.

Dès réception du produit, y compris les pièces d'origine et de l'emballage, il peut émettre un remboursement complet pour le produit ou peut réparer ou remplacer le produit par un produit neuf ou reconditionné.

Si notre service retour conclut que l'élément n'est pas défectueux, vous pourriez être responsable des frais supplémentaires ainsi qu'un 10-30% de ré-empoissonnement frais.

## Service

Contact your local L.B. White dealer for replacement parts and service. You may also call the L.B. White Co., LLC at 1-800-345-7200, for assistance, or email us at [customerservice@lbwhite.com](mailto:customerservice@lbwhite.com).

Be sure that you have your heater model number and configuration number when calling.



### WORLD PROVIDER - INNOVATIVE CLIMATE SOLUTIONS

411 Mason Street, Onalaska, WI 54650  
800-345-7200 • 608-783-5691  
608-783-6115 (fax)

[www.lbwhite.com](http://www.lbwhite.com)