

Stainless Steel Ball Valve



3 Piece 4 Bolt Enclosed • Standard Port • Threaded Connection • 2000 WOG



T-SS-2001N-4B

Features

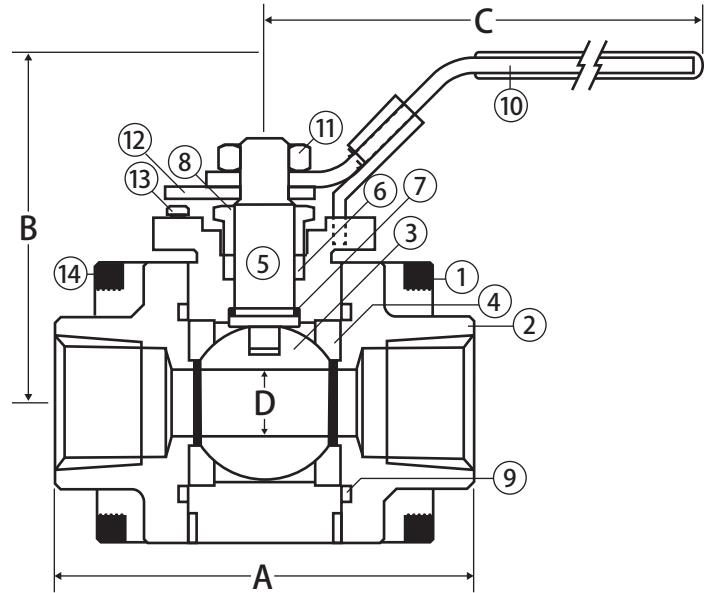
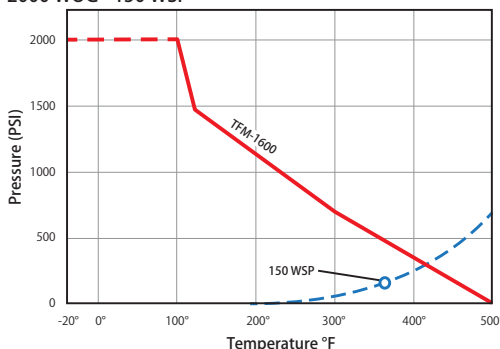
- Latch lock handle may be locked in open or closed position
- Solid ball construction
- Blow out proof stem
- 29 in-Hg vacuum rating
- Fire safe rated
- 100% leak tested
- Wetted surfaces contain less than .25% lead content
- Repair kits available

Approvals

- UL Listed
 - MHKZ - Manual valves
 - YQNZ - Compressed gas shut-off valves
 - YRBX - Flammable liquid shut-off valves
 - YRPV - Gas shut-off valves
 - YSDT - LP gas shut-off valves
 - YQAR - Anhydrous ammonia shut-off valves
- API 607 (4th edition) - Fire Safe Rated
- Conforms to API 598
- MSS SP-110, SP-61, SP-81
- NACE Certified
- ASME B16.34 (1/2" - 1-1/4")
- ANSI B1.20.1
- ANSI B16.11

Valve Seat Rating

2000 WOG - 150 WSP



Material Specifications

No.	Part	Materials
1	Body	CF8M Stainless Steel
2	End Cap (2)	CF8M Stainless Steel
3	Ball	CF8M Stainless Steel
4	Seat (2)	Hostaflon® TFM 1600
5	Stem	316 Stainless Steel
6	Packing (2)	RPTFE
7	Stem Seal	Hostaflon® TFM 1600
8	Packing Gland	304 Stainless Steel
9	Body Seal (2)	Grafoil
10	Handle	304 Stainless Steel
11	Handle Nut	304 Stainless Steel
12	Stop Plate	304 Stainless Steel
13	Lock Pin	304 Stainless Steel
14	Body Bolt (8)	A193-B8 Stainless Steel

Dimensions

Part No.	Size	A	B	C	D	Torque
601-603	1/2"	2.72	2.47	4.15	0.43	85
601-604	3/4"	2.94	2.70	4.15	0.55	150
601-605	1"	3.50	3.19	5.00	0.81	180
601-606	1-1/4"	3.90	3.64	5.98	0.98	210
601-607	1-1/2"	4.42	3.88	7.76	1.25	320
601-608	2"	5.04	4.09	7.76	1.50	440



WARNING: This product can expose you to chemicals including diisononyl phthalate (DINP), which is known to the State of California to cause cancer, and diisononyl phthalate (DINP), which is known to the State of California to cause birth defects or other reproductive harm. For more information go to www.P65Warnings.ca.gov.