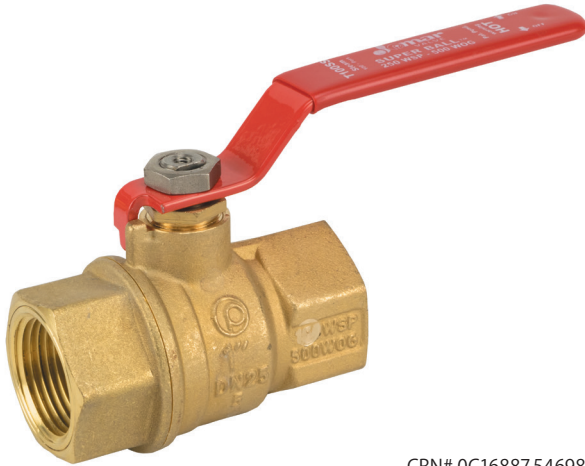


Brass Ball Valve

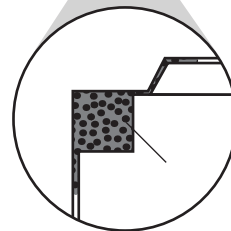
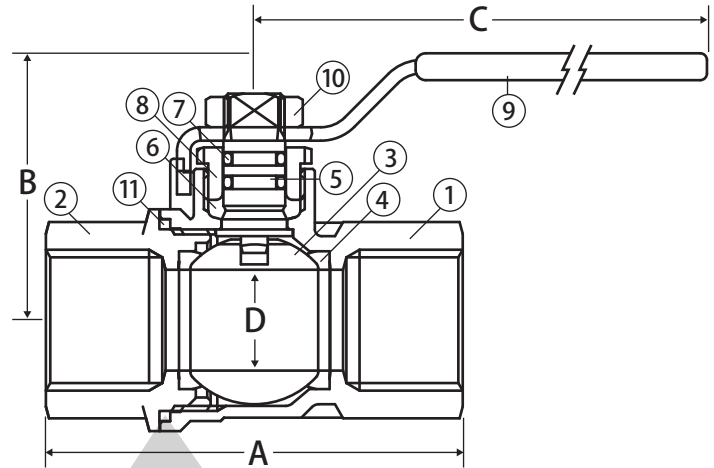


2 Piece • Full Port • Threaded Connection • 600 WOG • with Steam Trim



T-100SSS

CRN# 0C16887.5469870YTN



Brazed Body Connection

Features

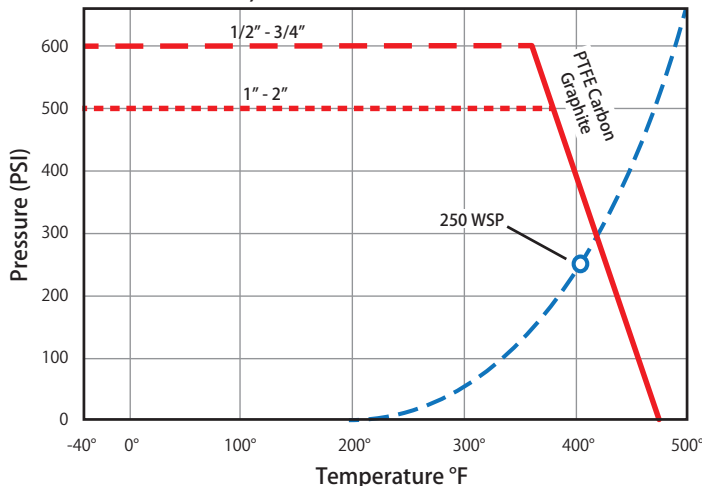
- Blow-out proof stem
- Triple sealing stem with 2 Viton® o-rings and Teflon® seal
- 250 WSP rating
- Patent pending design
- Special high temperature resistant handle
- 100% leak tested
- 100% Made in Italy
- Leakproof stem - Lifetime Warranty
- 29 in-Hg vacuum rating
- Accessories available

Approvals

- MSS SP-110
- ANSI B1.20.1

Valve Seat Rating

1/2" - 3/4" 600 WOG, 1" - 2" 500 WOG - 250 WSP



Material Specifications

No.	Part	Materials
1	Body	Brass - CW617N
2	End Connection	Brass - CW617N
3	Ball	316 Stainless Steel
4	Seat (2)	PTFE Carbon Graphite
5	Stem	316 Stainless Steel
6	Packing	PTFE Carbon Graphite
7	Stem O-ring (2)	Viton®
8	Packing Gland	Brass - CW614N
9	Handle	Steel - Red Coated
10	Handle Nut	316 Stainless Steel
11	Brazing Ring	BrazeTec Soldamoll

Dimensions

Part No.	Size	A	B	C	D	Cv
100-533	1/2"	2.45	1.53	2.95	0.59	16.82
100-534	3/4"	2.71	1.95	3.74	0.79	34.80
100-535	1"	3.30	2.40	4.75	0.97	52.20
100-536	1-1/4"	3.80	2.59	4.75	1.23	112.52
100-537	1-1/2"	4.16	3.22	6.00	1.49	174.00
100-538	2"	5.00	3.40	6.00	1.99	255.20

WARNING: This product can expose you to chemicals including lead, which is known to the State of California to cause cancer, and lead, which is known to the State of California to cause birth defects or other reproductive harm. For more information go to www.P65Warnings.ca.gov.

