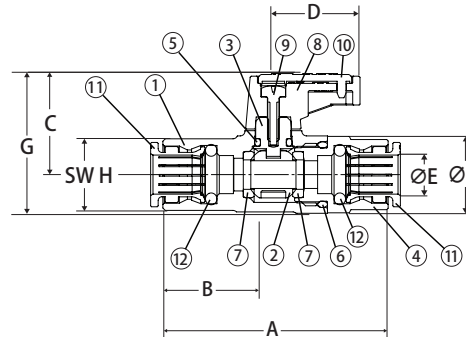


# Brass Ball Valve

Mini Valve, 2 Piece, Push Fit x Push Fit Connection, 145 PSI

**PF-86-PF**

Information Subject to Change



### FEATURES

- 2 FKM O-Rings
- Corrosion Resistant
- Applicable in Limited Spaces
- Chrome Plated
- 100% Made in Italy

### CERTIFICATIONS/APPROVALS

ANSI B1.20.5

### PRESSURE/TEMPERATURE RATING

145 PSI  
14°F - 195°F

### MATERIALS

No.	Part	Material
1	Body	Chrome Plated Brass CW617N
2	Ball	Nickel Plated Brass CW617N
3	Stem	Brass CW617N
4	Sleeve	Chrome Plated Brass CW617N
5	Stem Gasket	FKM 70Sh
6	Ball Gasket	FKM 70Sh
7	Handle	PTFE
8	Screw	Nylon 66
9	Clip	Steel
10	Pushin Body	Nylon 66
11	Pushin Gasket	Nickel Plated Brass CW617N
12	O-Ring	FKM 70Sh

### DIMENSIONS

Part No	Size	DN	A	B	C	D	ØE	ØF	G	SW H	ØI
186-530	1/8" PF x 1/8" PF	0.24	1.57	0.79	0.83	0.73	0.16	1.16	1.14	0.55	0.63
186-531	1/4" PF x 1/4" PF	0.24	1.77	0.87	0.83	0.73	0.26	6.35	1.14	0.55	0.63
186-533	3/8" PF x 3/8" PF	0.24	1.89	0.93	0.83	0.73	0.31	0.31	1.14	0.55	0.63