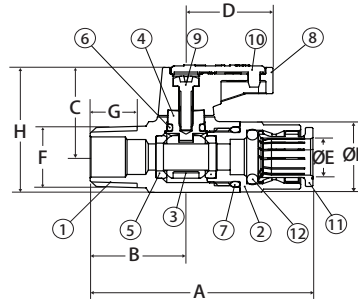


Brass Ball Valve

Mini Valve, 2 Piece, MNPT x Push Fit Connection, 145 PSI

PF-86-M

Information Subject to Change



FEATURES

- 2 FKM O-Rings
- Corrosion Resistant
- Applicable in Limited Spaces
- Chrome Plated
- 100% Made in Italy

CERTIFICATIONS/APPROVALS

ANSI B1.20.5

PRESSURE/TEMPERATURE RATING

145 PSI
14°F - 195°F

MATERIALS

No.	Part	Material
1	Body	Chrome Plated Brass CW617N
2	Sleeve	Chrome Plated Brass CW617N
3	Ball	Nickel Plated Brass CW617N
4	Stem	Brass CW617N
5	Seal	PTFE
6	O-Ring	FKM 70ShA
7	O-Ring	FKM 70ShA
8	Handle	Nylon 66
9	Screw	Steel
10	Clip	Nylon 66
11	Push-In	Chrome Plated Brass CW617N
12	O-Ring	Chrome Plated FKM 70ShA

DIMENSIONS

Part No	Size	A	B	C	D	ØE	F	G	H	SW I	ØL
186-730	1/8" MNPT x 5/32" PF	1.57	0.69	0.83	0.73	0.016	NPT1/8"	0.27	1.14	0.55	0.63
186-731	1/8" MNPT x 1/4" PF	1.59	0.69	0.83	0.73	0.26	NPT 1/8"	0.27	1.14	0.55	0.63
186-741	1/4" MNPT x 1/4" PF	1.71	0.81	0.83	0.73	0.26	NPT 1/4"	0.40	1.14	0.55	0.63
186-743	3/8" MNPT x 3/8" PF										