

ProCon® — D400 Series

Digital pH/ORP Controller Analyzer



- ✓ Large LCD display
- ✓ Intelligent menu operation
- ✓ Multiple automatic calibration
- ✓ Manual + automatic temperature compensation
- ✓ Two (2) relays
- ✓ 4-20mA & RS485 multiple output modes
- ✓ Multi-parameter display — simultaneously shows pH, ORP and temperature
- ✓ Password protection

High Performance Industrial Controller

The ProCon® D400 series is an extremely robust industrial pH/ORP controller.

The modular design is both easy to install and operate providing first measurement values in under one minute.

The D400 is packed with all the extra features included, no need to pay extra for relay, 4-20mA or RS485 outputs.

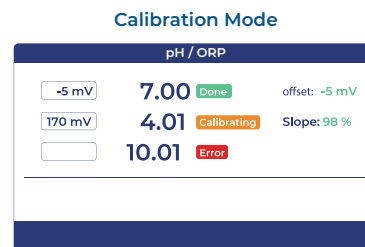
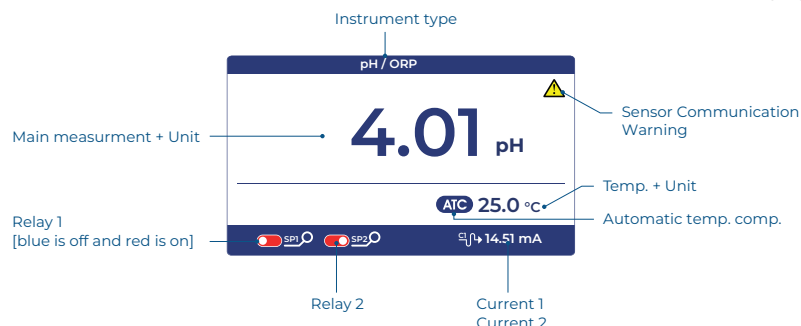
The SimpliCal® feature makes calibrating your sensor easier and quicker than ever before.

The cost-saving quick and easy setup is done through our user-friendly step by step on-screen menu.

Active display of red alarm LED provides notification of out-of-bounds sensor readings and indication for sensor cleaning/recalibration or replacement.

Enclosure

The D400 is packaged in a rugged polycarbonate enclosure making it ideally suited for heavy-duty applications. A mounting kit is included for surface and panel mounting. Pipe mounting kits are available.



ProCon® — D400 Series

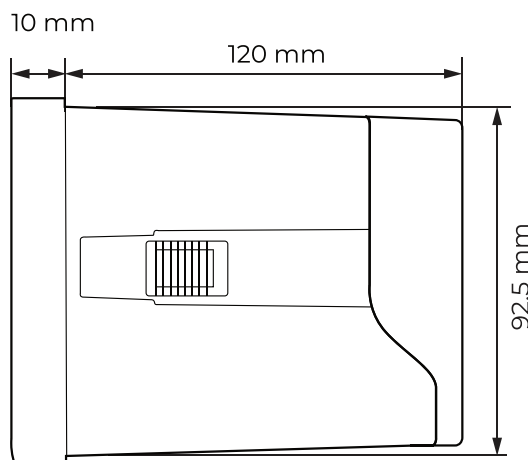
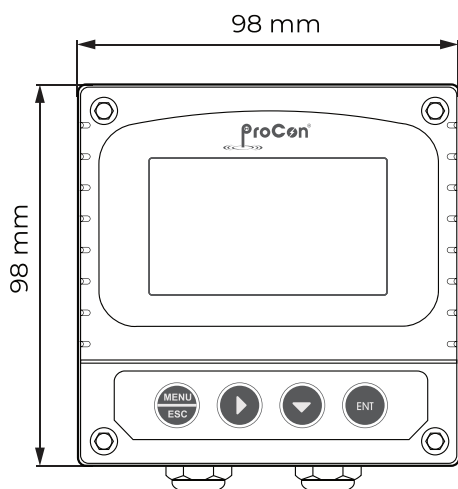
Digital pH/ORP Controller Analyzer

Technical Specifications



Measuring Range	pH: -2 – 16pH ORP: -2000 – +2000mV
Unit	pH mV
Resolution	pH: 0.001pH ORP: 1mV
Basic Error	pH: 0.001pH ORP: 1mV
Temperature Range	14 – 302°F -10 – 150°C (Sensor Selection Dependant)
Temperature Resolution	0.18°F 0.1°C
Temperature Accuracy	±0.54°F ±0.3°C
Temperature Compensation	Manual or Automatic
Stability	pH: 0.01pH/24h ORP: 1mV/24h
Outputs	Two (2) 4–20mA 20–4mA 0–20mA
Communication	RS485 MODBUS RTU
Relay Control Contact	5A 240VAC 5A – 28VDC
Power Supply	9 – 36VDC (std) 85 – 265VAC Power Consumption 3W
Working Temperature	14 – 140°F -10 – 60°C
Relative Humidity	≤ 90%
Enclosure Rating	IP65
Weight	0.5kg
Dimensions	98 × 98 × 130mm
Installation Opening Size	93 X 93mm
Installation methods	Panel Pipe Wall

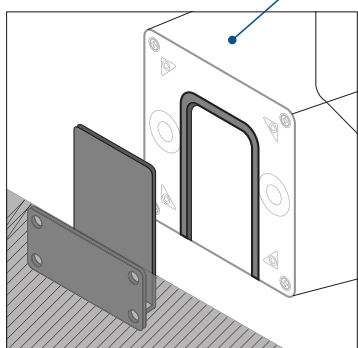
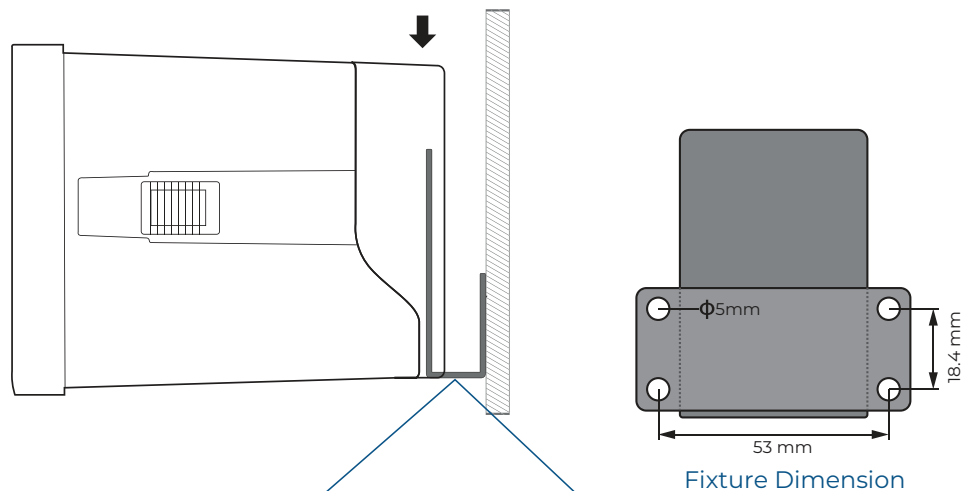
Dimensions



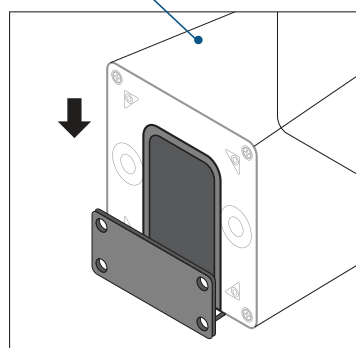


Instrument Installation

Wall Mounting

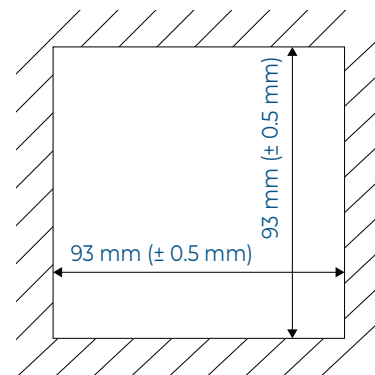


Install bracket on the wall first

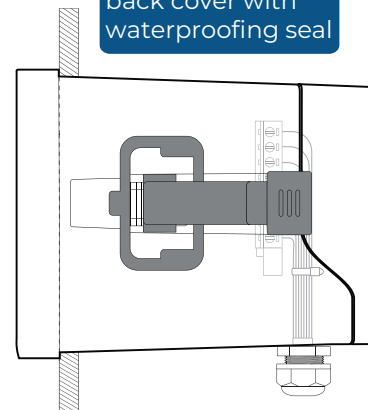


Insert into the fixture along the chute

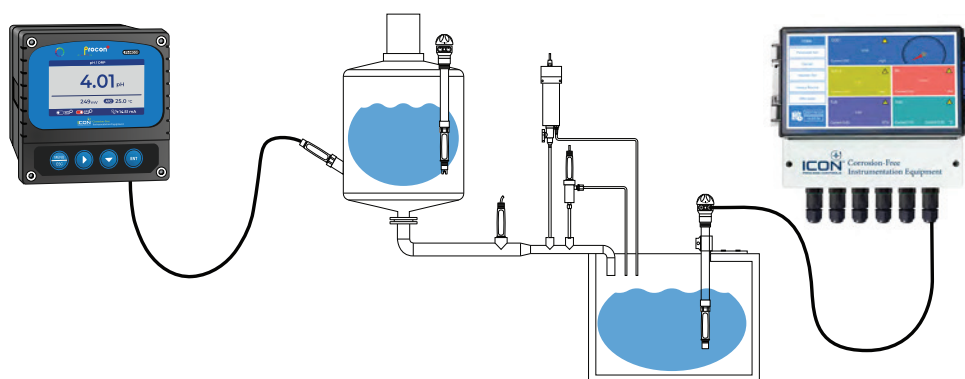
Control Panel Installation



Installation of back cover with waterproofing seal

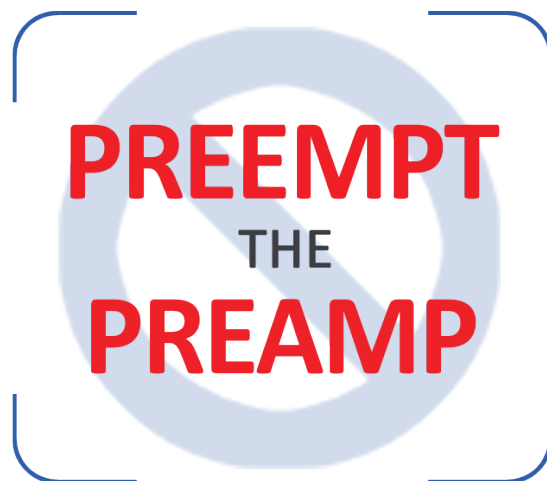


Typical Application



ProCon® — D400 Series

Digital pH/ORP Controller Analyzer



Model Selection

D400 — pH/ORP Controller (Color LED)

Part Number	Power	Output	Power Cord	Display 1	Display 2
D400-4-D-N-P-0	24VDC	4-20mA + 2 Relays	No	pH/ORP	Single Display
D400-4-D-Y-P-0	24VDC	4-20mA + 2 Relays	Yes	pH/ORP	Single Display

Communication: RS-485 RTU Modbus



John M. Ellsworth Co., Inc.

P.O. Box 240072
 8700 West Bradley Road
 Milwaukee, WI 53224

800-333-3331 **PHONE**

info@jmesales.com **E-MAIL**
 www.JMESales.com **WEB**