

# Unitract™ Series

For 3/8" and 1/2" Hose I.D.

**Unitract™ Series Low Pressure** reels are ideally suited for plant maintenance or many other industrial functions where hose storage is a problem. Standard hose for air, water and oxygen/acetylene applications. Hose can be dispensed and retracted with greater ease and expedience than coiling by hand. The Unitract™ series fits easily into height restricted areas, and is a lighter duty reel. Designed for stationary applications; do not use on mobile applications.

**Product Name:**

Hosetract Unitract™ Low Pressure

**Manufacturer:**

Hosetract  
 6433 Discount Drive  
 Fort Wayne, IN 46818  
 www.hosetract.com

**Swivel:**

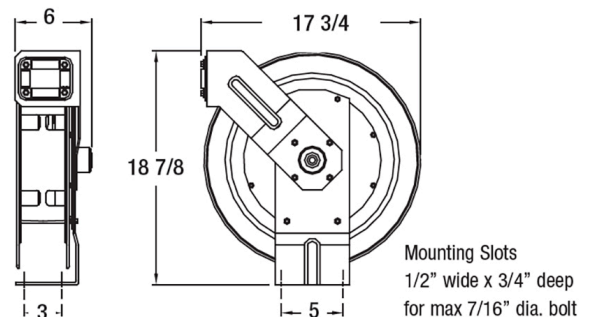
Standard: Carbon Steel

**Features:**

- Weighs 10 lbs. less than C Series
- Unitized multi-functional hub arbor
- 8 Position guide arm
- Minimal size envelope permits installation where space is a factor
- Simple design incorporates fewer parts
- Single set screw to access latch area and spring case
- Heavy gauge base with no welds
- Reels shipped standard sf hose payout position.
- Available in Powder Coat



Inlet — 1/2" FPT Max. Temp. — 200°F



sf hose payout position

# Unitract™ Series

For 3/8" and 1/2" Hose I.D.

## UTL SERIES

### Models without hose and hose stop

Model #	Weight	PSI	Hose Capacity ID	Hose Capacity Length	Hose End Fitting
UTL-300	36	1000	3/8"	50'	None
UTL-500	36	1000	1/2"	50'	None

### Models with hose and hose stop

Model #	Weight	PSI	Hose ID	Hose Length	Hose End Fitting
UTL-350	44	300	3/8"	50'	3/8" NPTM
UTL-550	47	300	1/2"	50'	1/2" NPTM

## ACCESSORIES:

### Hose Stop Assemblies



1234A - 1/4"



1233A - 3/8"



1232A - 1/2"

### Mount Assemblies



1279A - I-Beam Bracket



1282A - Swivel Bracket