

Fire-Ball[®] Pump Repair Kit

406621C
ENG

For Fire-Ball 225, 50:1 Grease Pumps.

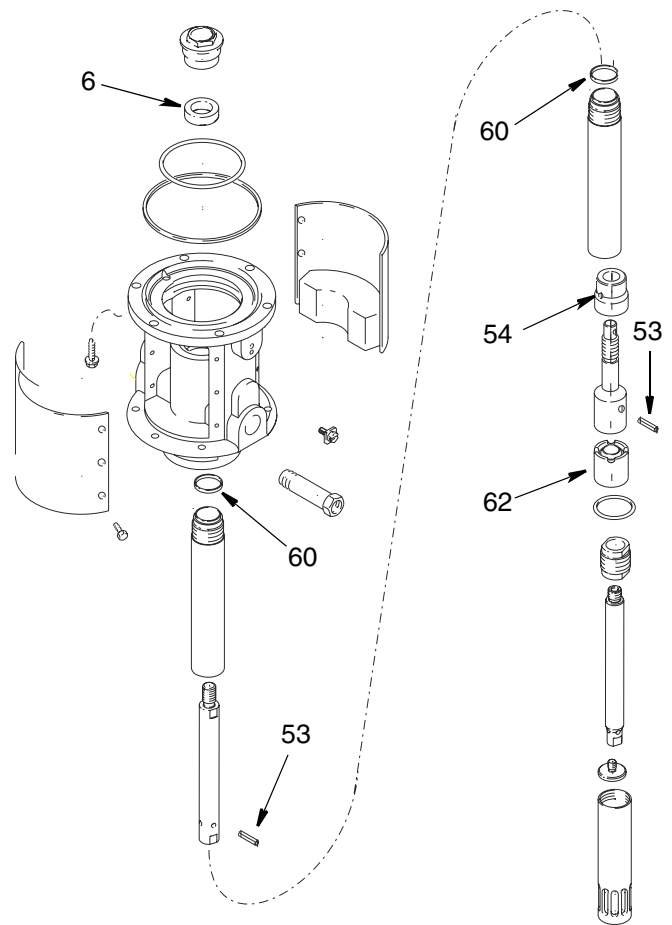
Part No.: 246920



Important Safety Instructions

Read all warnings and instructions in this manual and in Graco instruction manual 309966. Save all instructions.

| Ref. | Description | Qty |
|------|------------------------------------|-----|
| 6 | SEAL, throat | 1 |
| 53 | PIN, straight | 2 |
| 54 | SEAL, piston | 1 |
| 56 | PIN, straight, slotted (not shown) | 1 |
| 60 | SEAL, gasket | 2 |
| 62 | SEAL, shovel rod | 1 |



Instructions

When assembling the pin, make sure the holes on the mating parts are as close as possible to being aligned, axis to axis (FIG. 3). If it is 1/2 turn off in either direction, the pin will wedge against the parts eliminating the self-aligning feature of the connection (FIG. 1 and FIG. 2).

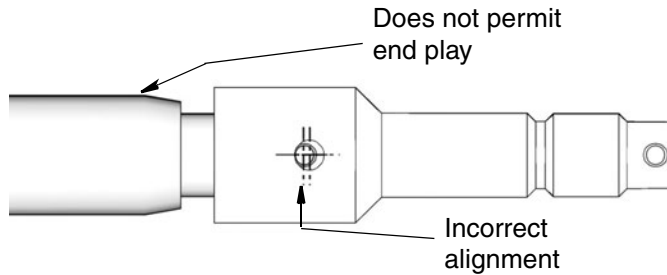


FIG. 1- 1/2 turn too deep

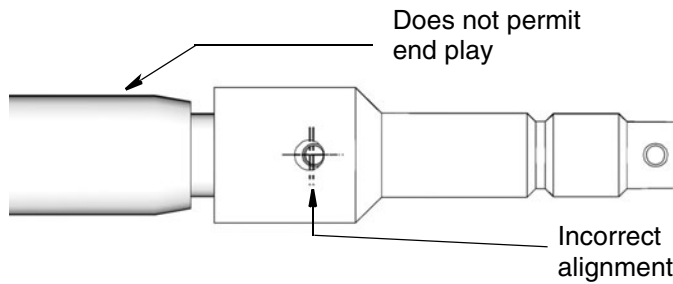


FIG. 2- 1/2 turn too shallow

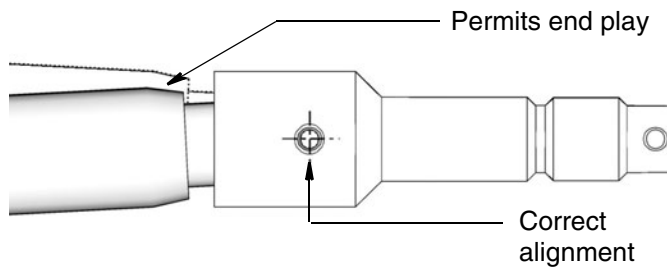


FIG. 3- Correct

All written and visual data contained in this document reflects the latest product information available at the time of publication. Graco reserves the right to make changes at any time without notice.

Original instructions. This manual contains English. MM 406621

Graco Headquarters: Minneapolis
International Offices: Belgium, China, Japan, Korea
GRACO INC. P.O. BOX 1441 MINNEAPOLIS, MN 55440-1441

Copyright 2007, Graco Inc. is registered to ISO 9001

www.graco.com
Revised 11/2010