

Pump Repair Kit 241623

406427E

For 50:1 Fire-Ball and Dyna-Star 10:1 Grease Pumps

EN




Kit No. 241623



Important Safety Instructions

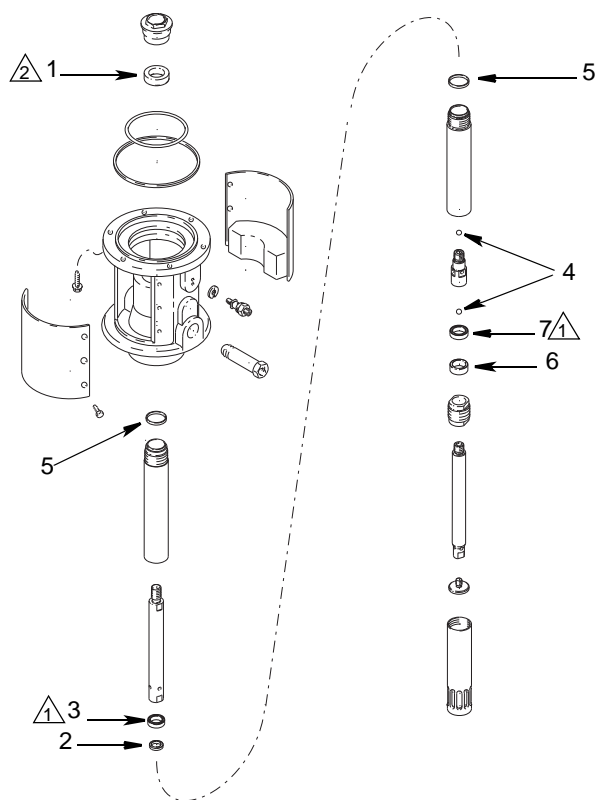
Read all warnings and instructions in manual 308883 for Fire-Ball model and 312350 for Dyna-Star model grease pumps. Save those instructions.

50:1 Fire-Ball


Ref.	Description	Qty.
1 	SEAL, throat	1
2*	BEARING, piston	1
3 	SEAL, piston	1
4	BALL	2
5	SEAL, gasket	2
6	BEARING, shovel rod	1
7 	SEAL, shovel rod	1

*Used in Series A pumps only.

Pump series is indicated by the last letter of the series code marked on the air motor muffler plate.


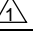



 Lips face up.

 Lips face down.

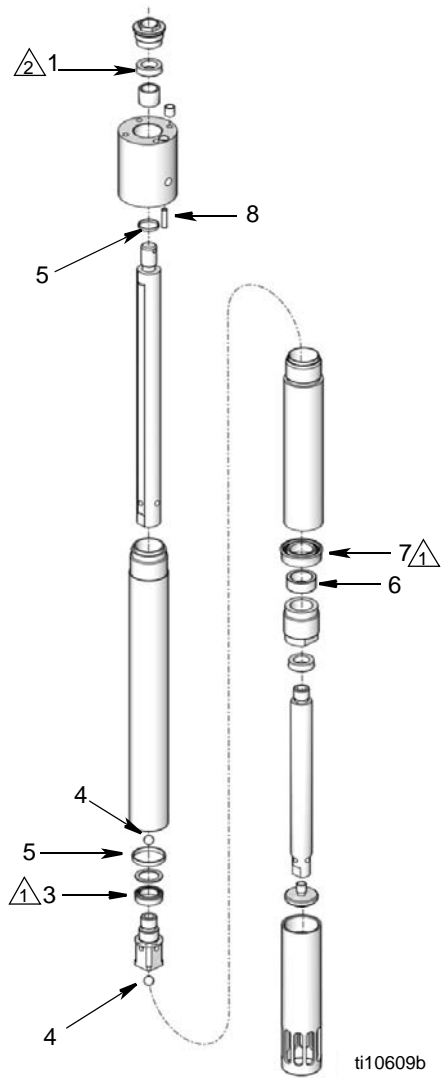
 4


Dyna-Star 10:1 Model


Ref.	Description	Qty.
1 	SEAL, throat	1
3 	SEAL, piston	1
4	BALL	2
5	SEAL, gasket	2
6	BEARING, shovel rod	1
7 	SEAL, shovel rod	1
8**	PELLET, nylon	1

**Not used with Series A or B pump models.

Pump series is indicated by the last letter of the series code marked on the air motor muffler plate.



 Lips face up.

 Lips face down.