



# Basic Pedestal Standard Centrifugal Pump

## Model VGH2E31-B

### Size 3" x 2"

#### PUMP SPECIFICATIONS

**Size:** 3" x 2" (76 mm x 51 mm) Raised Face Flanges.

**Casing:** Ductile Iron.

Maximum Casing Pressure 328 psi (2262 kPa).\*

Maximum Operating Pressure 250 psi (1723 kPa) at  
Temperatures up to 100 F (37 C) Based on System  
Component Limitations.\*

**Enclosed Type, Six Vane Impeller:** Gray Iron 40.

Handles 17/64" (7 mm) Diameter Spherical Solids.

**Impeller Shaft:** Steel 1045.

**Two Replaceable Wear Rings:** Gray Iron 25.

**Seal Plate:** Ductile Iron.

**Bypass Flush Piping.**

**Bearing Housing:** Gray Iron 25.

**Radial Bearing:** Open Cylindrical Roller.

**Thrust Bearing:** Open Double Row Ball.

**Bearing Lubrication:** SAE 30 Non-Detergent Oil.

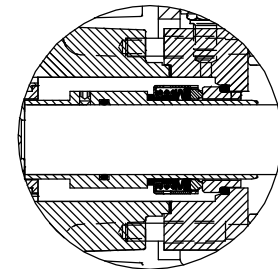
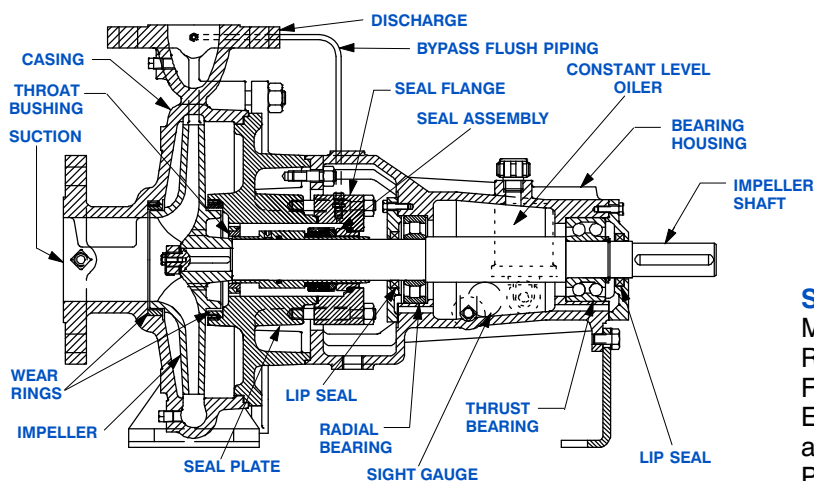
**Gaskets:** Nitrile Rubber.

**Hardware:** Standard Plated Steel.

**Bearing Housing Level Oiler.**

**Optional Equipment:** Strainer. NPT Suction and Discharge  
Flanges. Consult Factory for Optional Seals.

*\*Consult Factory for Applications Exceeding  
Maximum Pressure and/or Temperature Indicated.*



#### SEAL DETAIL

Mechanical, Self-Lubricated. Silicon Carbide Rotating and Stationary Faces. Fluorocarbon Elastomers (DuPont Viton® or Equivalent). Stainless Steel 316 Shaft Sleeve and Spring. Maximum Temperature of Liquid Pumped, 160°F (71°C).\*



## GORMAN-RUPP PUMPS

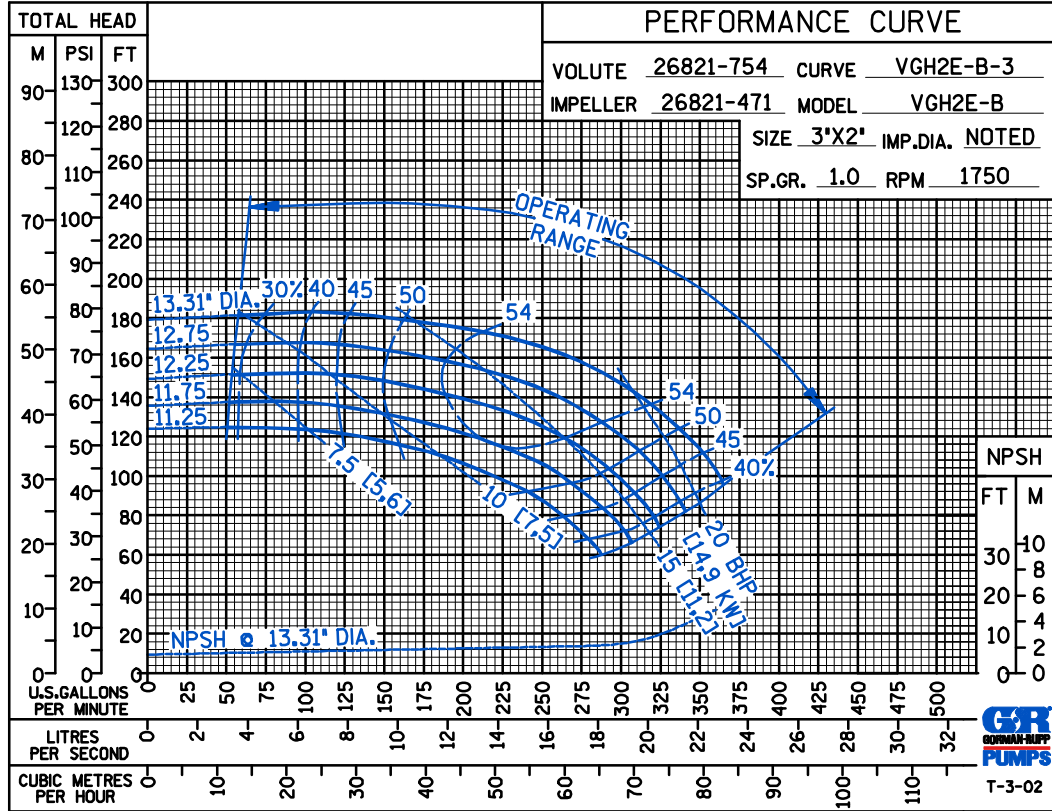
www.grpumps.com

Specifications Subject to Change Without Notice

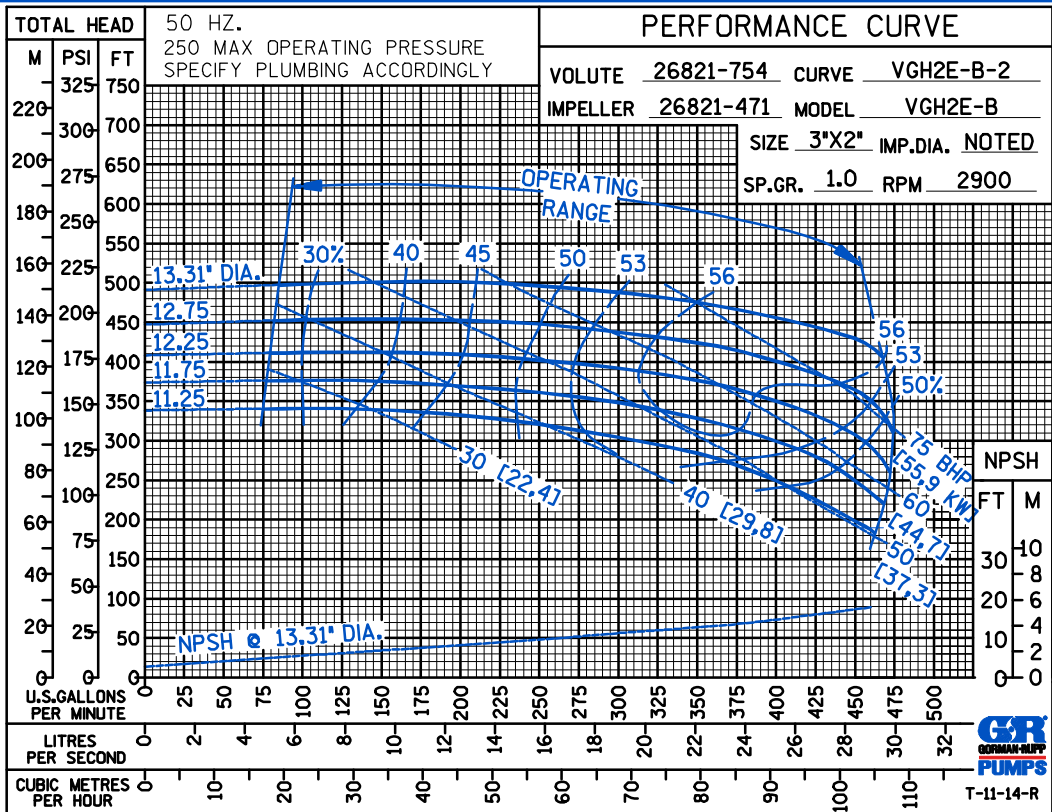
Printed in U.S.A.



60 HERTZ  
PERFORMANCE  
BASED ON  
WATER  
TRIMMED  
IMPELLER



50 HERTZ  
PERFORMANCE  
BASED ON  
WATER  
TRIMMED  
IMPELLER

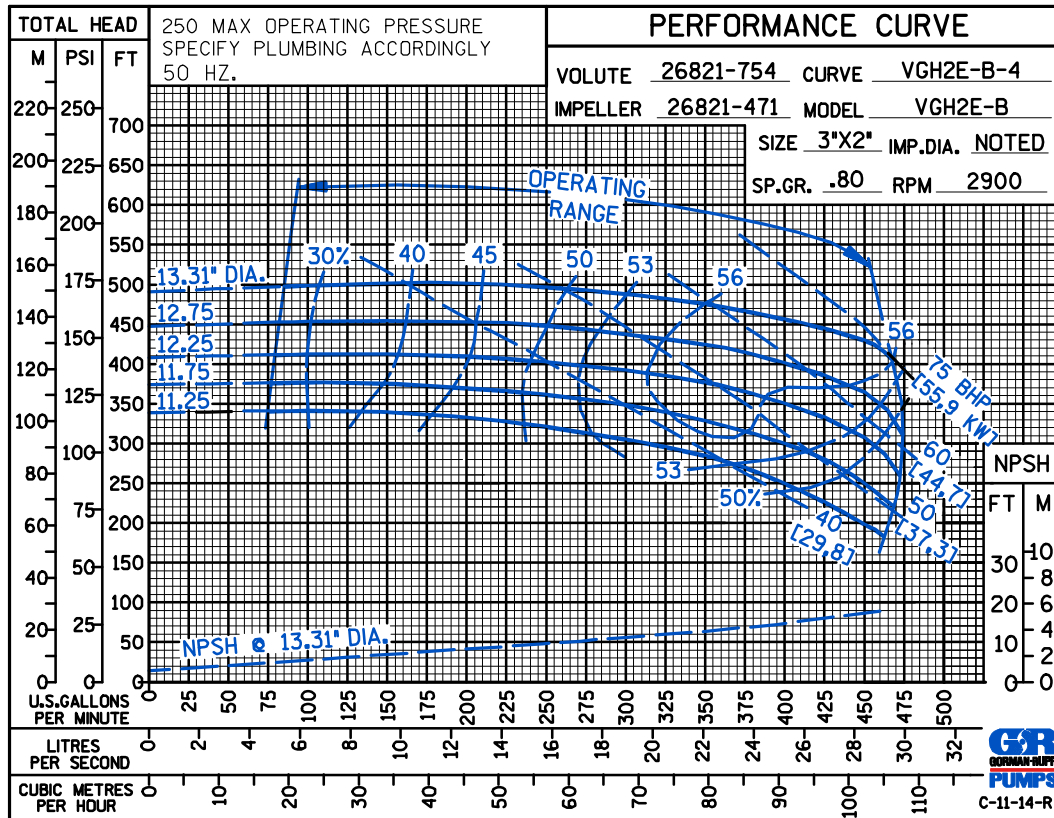


GORMAN-RUPP PUMPS

www.grpumps.com

Specifications Subject to Change Without Notice

Printed in U.S.A.



GORMAN-RUPP PUMPS

www.grpumps.com

Specifications Subject to Change Without Notice

Printed in U.S.A.